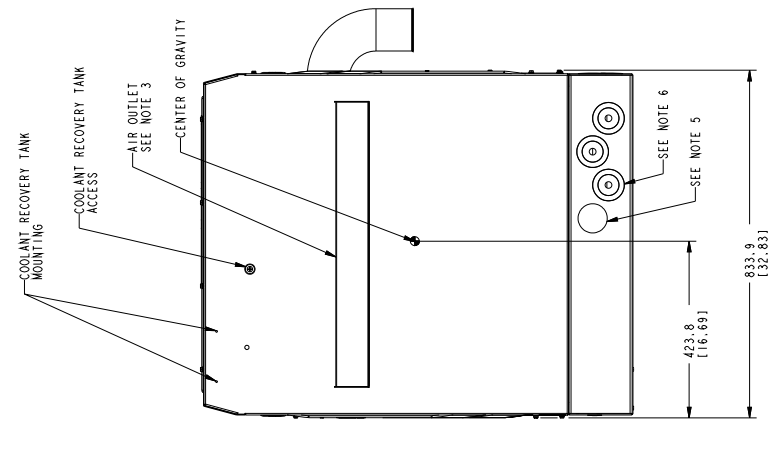
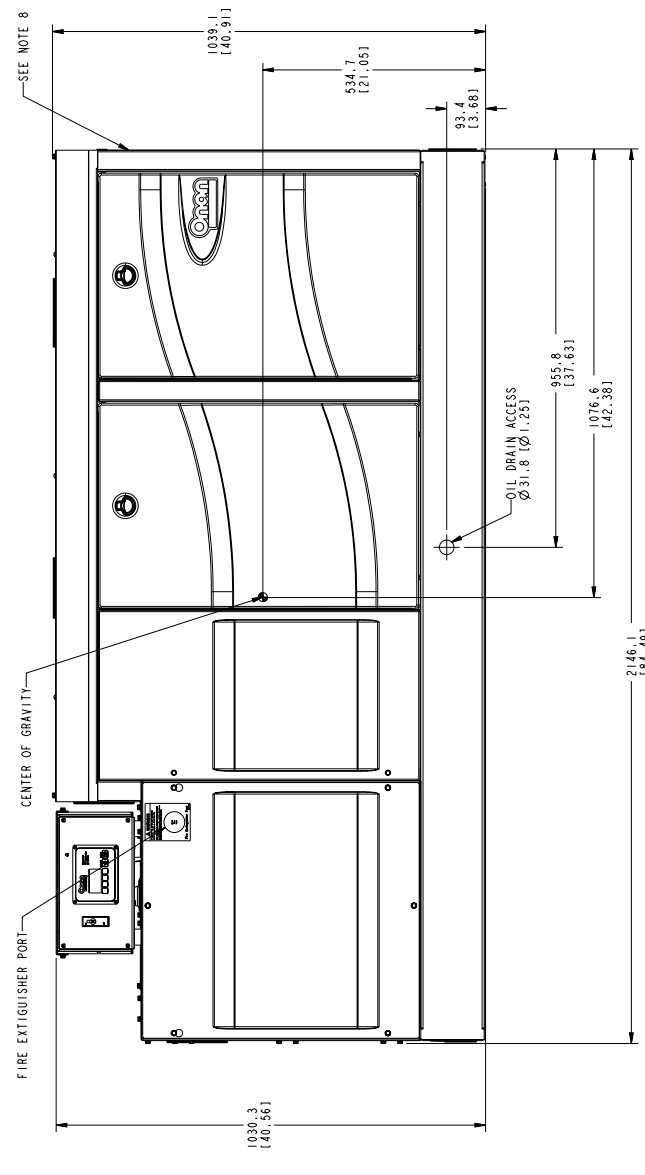
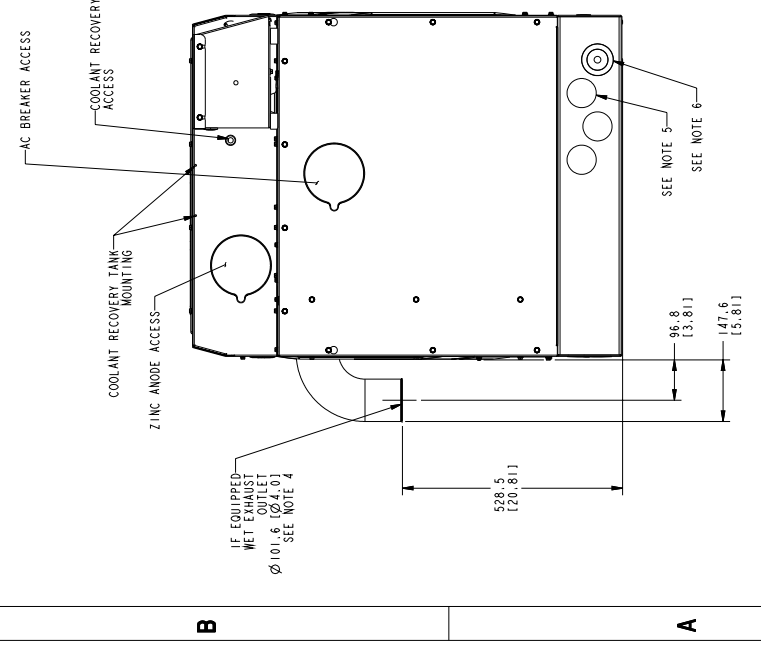
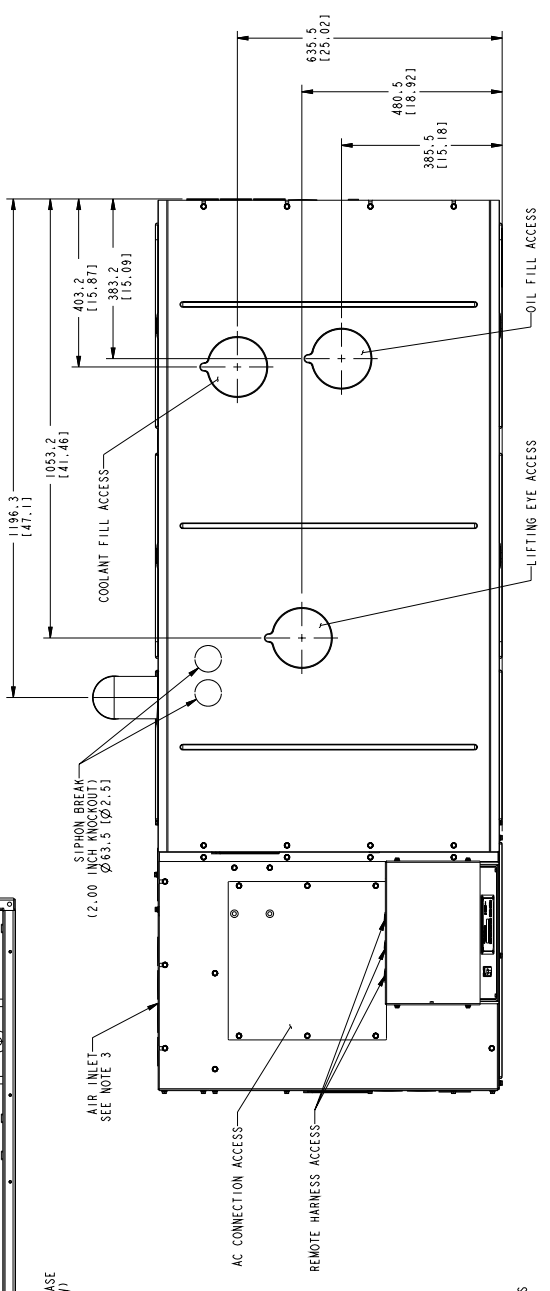
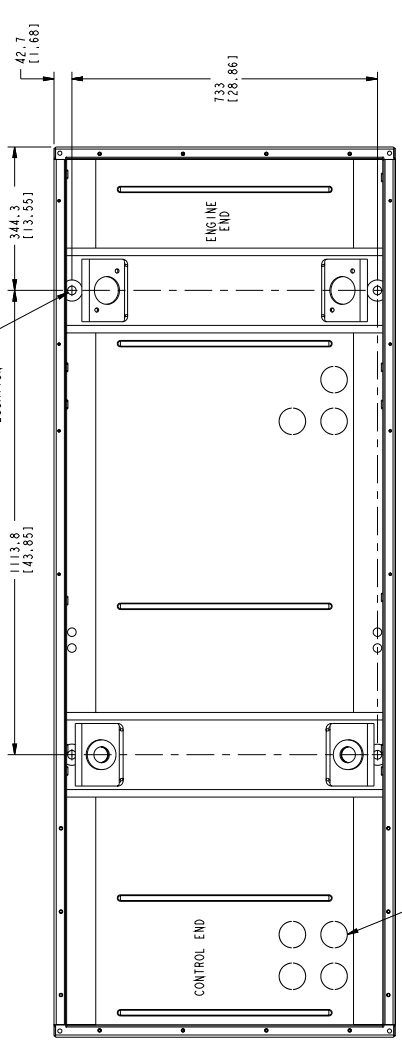


0500-3800 was exported on Nov 24 2004 and is an Un-Controlled Document

REV	DATE	BY	DESCRIPTION	DATE APPROVED	APP'D
1	03-15-04	AKJ	RELEASE		
2	09-02-04	AKJ	SEE SHT 2		
3	09-02-04	AKJ	SEE SHT 3		

- NOTES:
1. DIMENSIONS IN [] ARE INCHES.
 2. TURN HOLES FOR HOSE ROUTING INCLUDE RUBBER GROMMETS FOR ABRASION PROTECTION.
 3. 127 (5.0) CLEARANCE REQUIRED FOR AIR FLOW.
 4. WET EXHAUST ELBOW SHALL BE ORIENTED DOWN, 45° FRONT OR REAR. DRY EXHAUST ELBOW MAY BE IN ANY ORIENTATION.
 5. PLASTIC PLUG Ø63.5 (Ø2.5) MOUNTING HOLE.
 6. RUBBER GROMMET Ø63.5 (Ø2.5) MOUNTING HOLE. GROMMET CAN ACCEPT UP TO Ø30.8 (Ø2.0) PIPE.
 7. SOUND SHIELD ONLY.
 8. 304.8 (12.0) CLEARANCE REQUIRED FOR BELT REPLACEMENT.



REV	DATE	BY	DESCRIPTION	DATE APPROVED	APP'D
1	01-23-03	A. JOHNSON			
2	03-15-04	AKJ	SEE SHT 2		
3	03-15-04	AKJ	SEE SHT 3		

DESCRIPTION OF MATERIAL: Cummins Power Generation

DATE: 03-15-04

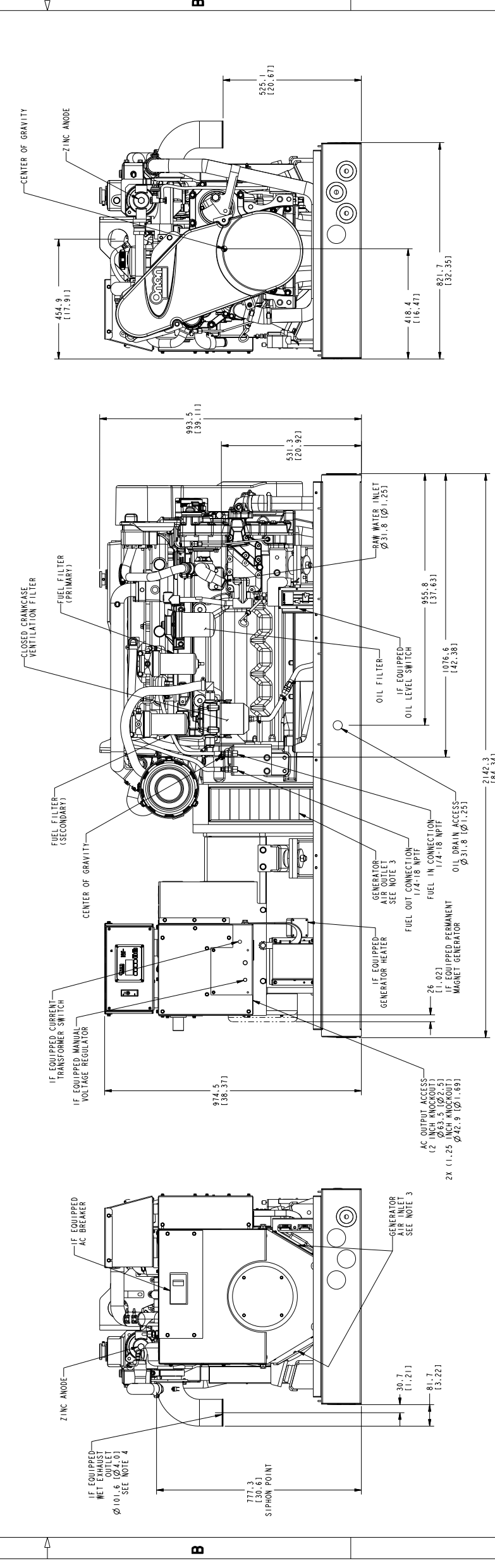
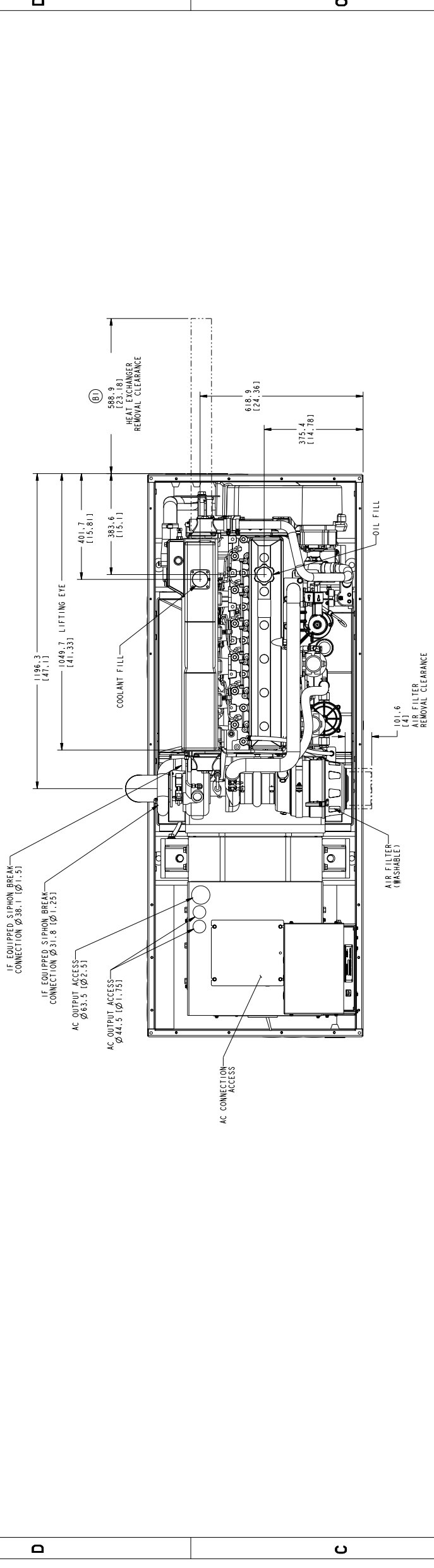
SCALE: 1:1

PROJECT: GENSET-OUTLINE

SHEET NO: 1 OF 4

0500-3800 was exported on: Nov 24 2004 and is an Un-CONTROLLED Document
 4
 METRIC DWG
 E
 PRO/ENGINEER

REV	NO	DESCRIPTION	DATE	BY	CHKD	APP'D	REV
1	1	ISSUANCE	03-15-04	AL			1
2	1	REVISION RELEASE	03-15-04	AL			2
3	1	ADD DIM-388.9 "HEAT EXCHANGER"	03-15-04	AL			3
4	1	ADD DIM-388.9 "HEAT EXCHANGER"	03-15-04	AL			4

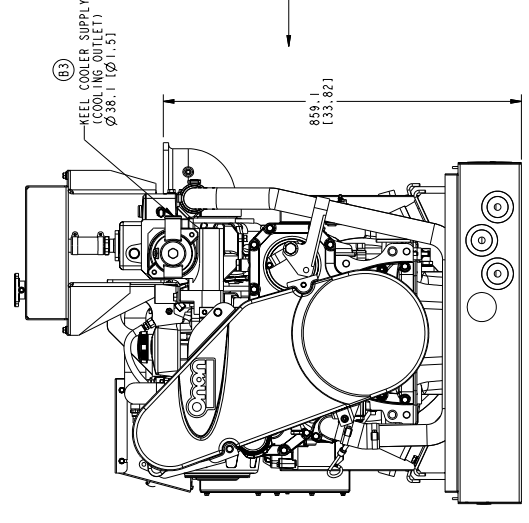
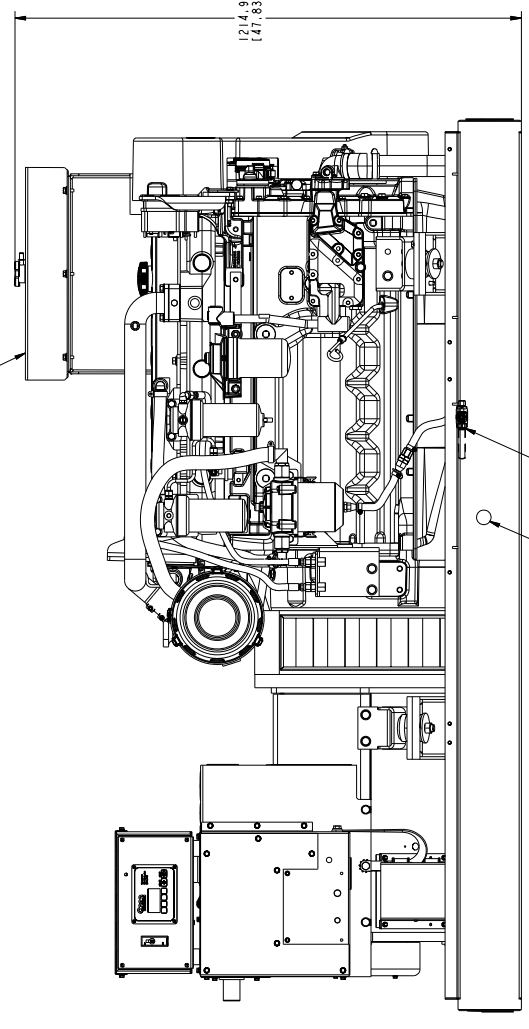
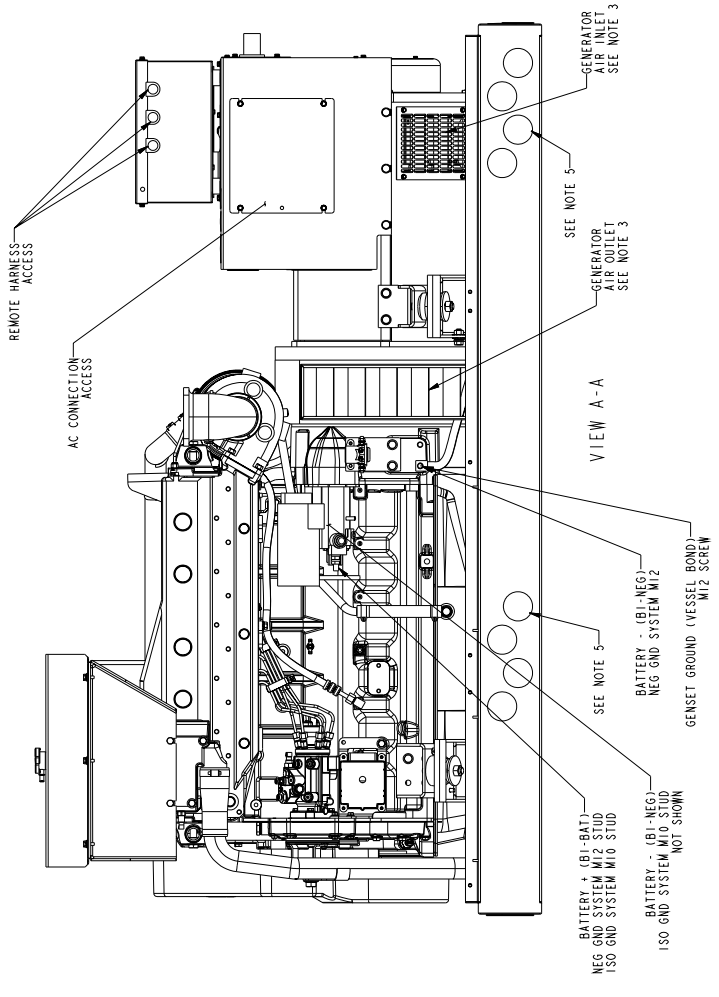
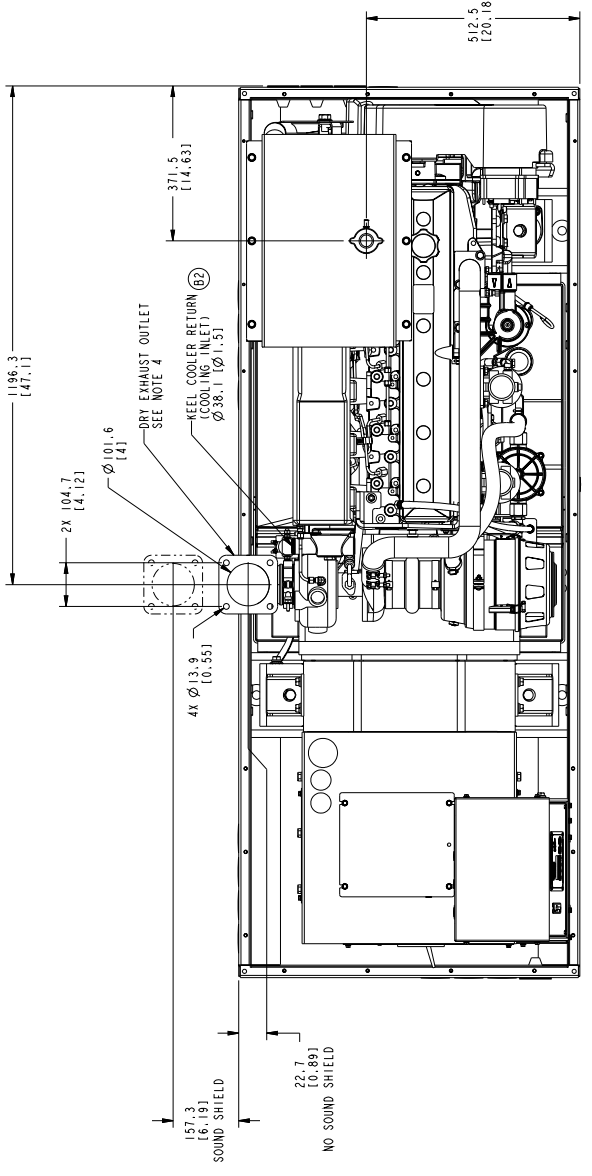


REV	NO	DESCRIPTION	DATE	BY	CHKD	APP'D	REV
1	1	ISSUANCE	01-23-03	A.JOHNSON			1
2	1	REVISION	03-15-04	D.STROMBECK			2
3	1	REVISION	03-15-04	D.STROMBECK			3
4	1	REVISION	03-15-04	D.STROMBECK			4

DESCRIPTION OF MATERIAL	Cummins Power Generation
DATE	01-23-03
DRAWN BY	D. STROMBECK
CHECKED BY	D. STROMBECK
DATE	03-15-04
SCALE	1:1
SHEET NO.	1
TOTAL SHEETS	1
PROJECT NO.	0500-3800
PROJECT NAME	GENSET-OUTLINE
SITE CODE	PGA
PROJECT LOCATION	0500-3800
DATE	03-15-04
SCALE	1:1
SHEET NO.	1
TOTAL SHEETS	1

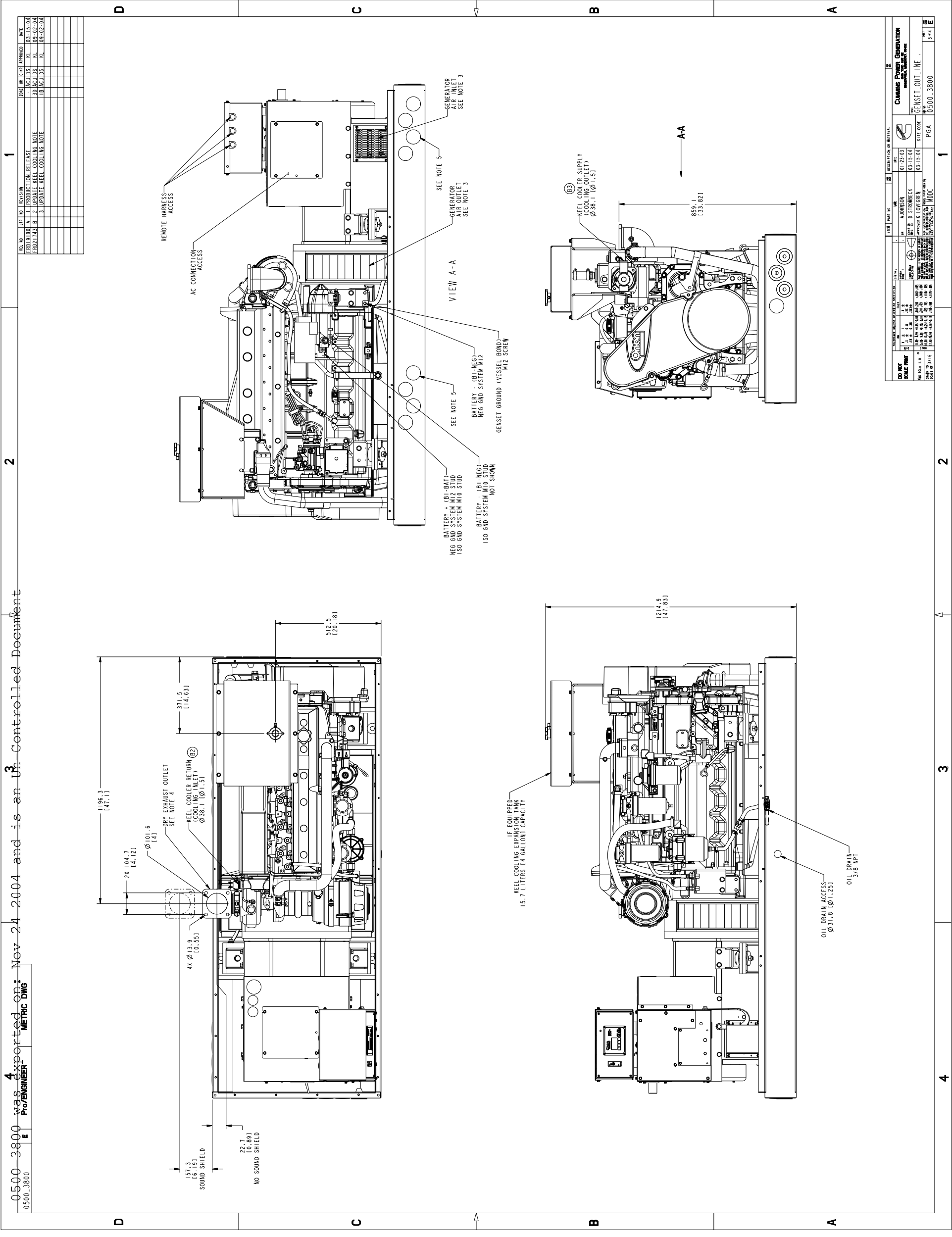
0500-3800 was exported on 4 Nov 24 2004 and is an Uncontrolled Document
 E Pro/ENGINEER METRIC DWG

REV	DATE	BY	CHKD	DESCRIPTION
1	03-15-04	AL	AL	GENERATOR RELEASE
2	08-02-04	AL	AL	UPDATE KEEL COOLING NOTE
3	08-02-04	AL	AL	UPDATE KEEL COOLING NOTE



REV	DATE	BY	CHKD	DESCRIPTION
1	01-23-03	A.JOHNSON		
2	03-15-04	D. STONMBECK		
3	03-15-04	D. STONMBECK		

DESCRIPTION OR MATERIAL
 CUMMINS POWER GENERATION
 GENSET-OUTLINE
 0500-3800



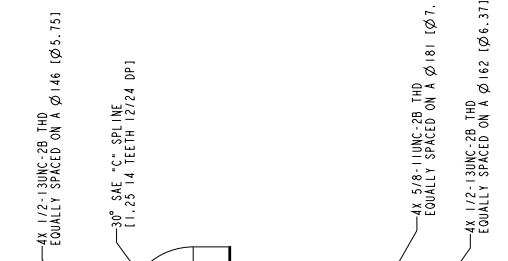
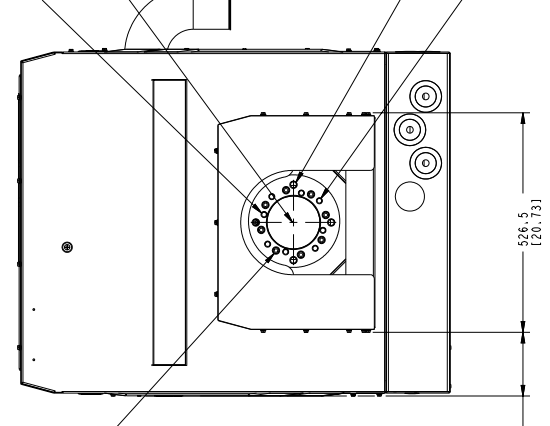
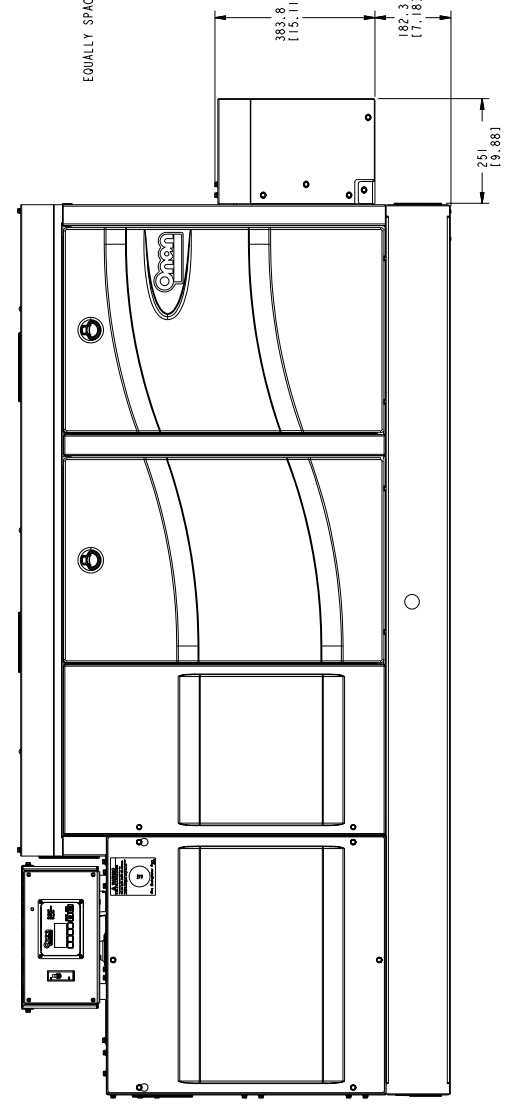
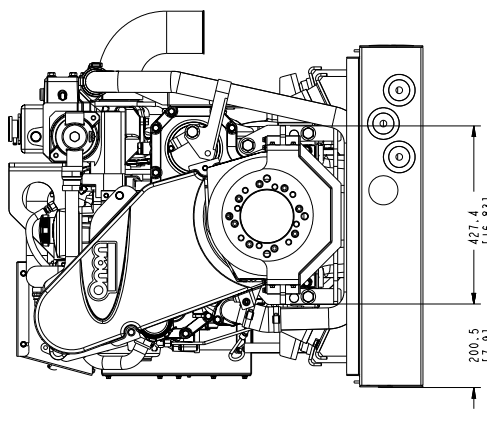
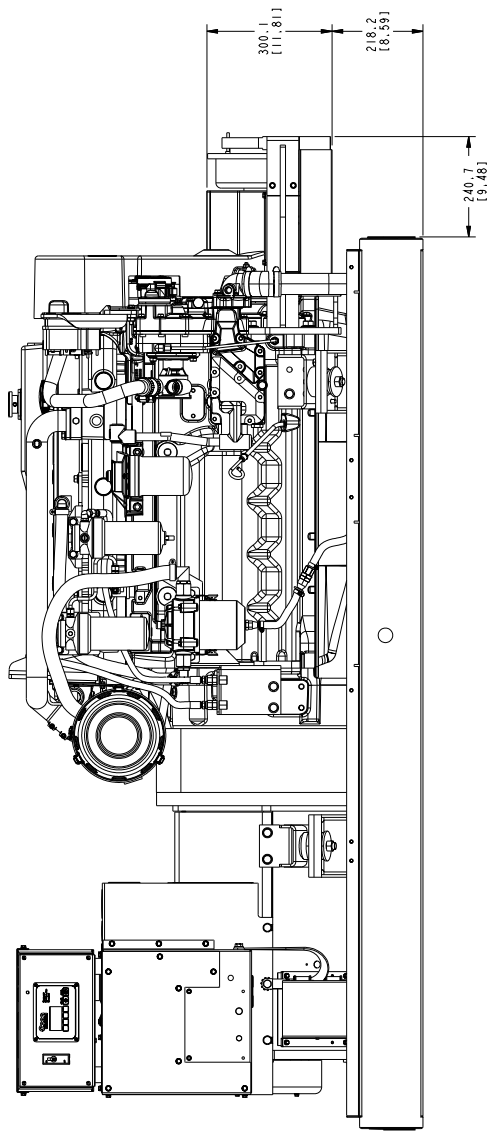
0500-3800 was exported on Nov 24 2004 and is an Un-3 Controlled Document
 4 was exported on Nov 24 2004 and is an Un-3 Controlled Document

0500-3800
 E
 PRO/ENGINEER

2

1

REV	DATE	BY	APP'D	REASON
1	03-15-04	AK		ISSUE FOR PRODUCTION-RELEASE
2	03-15-04	AK		
3	03-15-04	AK		
4	03-15-04	AK		
5	03-15-04	AK		
6	03-15-04	AK		
7	03-15-04	AK		
8	03-15-04	AK		
9	03-15-04	AK		
10	03-15-04	AK		



IF EQUIPPED
 POWER TAKE OFF

REV	DATE	BY	APP'D	REASON
1	01-23-03	A. JOHNSON		
2	03-15-04	D. STORBECK		
3	03-15-04	D. STORBECK		

0500-3800	Cummins Power Generation	0500-3800
0500-3800	Cummins Power Generation	0500-3800
0500-3800	Cummins Power Generation	0500-3800

3

4

2

1