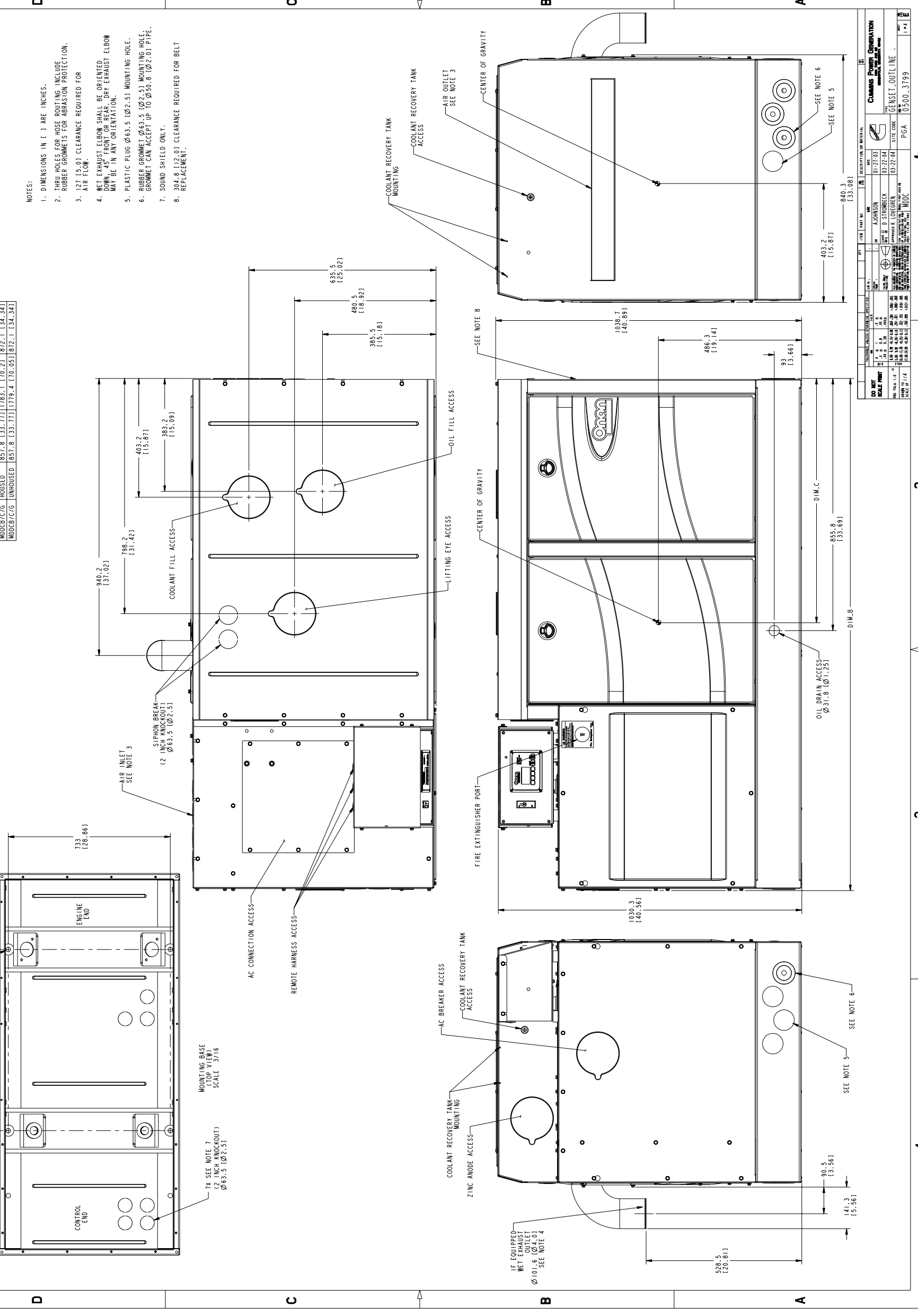


0500-3799 was exported on Nov 24 2004 and is an Uncontrolled Document

REV	DATE	BY	APP'D	DESCRIPTION
1	03-27-03	AKJ/JS	AKJ/JS	ISSUE FOR RELEASE
2	03-27-04	AKJ/JS	AKJ/JS	SEE SHT 2
3	03-27-04	AKJ/JS	AKJ/JS	SEE SHT 3

MODEL	OPTION	DIM. A	DIM. B	DIM. C
MDDC/VF	HOUSED	819.8 [32.271]	1738.1 [68.431]	829.1 [32.641]
MDDC/VF	UNHOUSED	819.8 [32.271]	1734.4 [68.283]	829.1 [32.641]
MDDC/C/G	HOUSED	857.8 [33.771]	1783.1 [70.231]	872.1 [34.141]
MDDC/C/G	UNHOUSED	857.8 [33.771]	1779.4 [70.051]	872.1 [34.141]

- NOTES:
1. DIMENSIONS IN [] ARE INCHES.
 2. THRU HOLES FOR HOSE MOUNTING INCLUDE RUBBER GROMMETS FOR ABRASION PROTECTION.
 3. 127 (5.01) CLEARANCE REQUIRED FOR AIR FLOW.
 4. NET EXHAUST ELBOW SHALL BE ORIENTED DOWN, 45° FRONT OR REAR. DRY EXHAUST ELBOW MAY BE IN ANY ORIENTATION.
 5. PLASTIC PLUG Ø63.5 (Ø2.51) MOUNTING HOLE.
 6. RUBBER GROMMET Ø63.5 (Ø2.51) MOUNTING HOLE. GROMMET CAN ACCEPT UP TO Ø50.8 (Ø2.01) PIPE.
 7. SOUND SHIELD ONLY.
 8. 304.8 (12.01) CLEARANCE REQUIRED FOR BELT REPLACEMENT.



REV	DATE	BY	APP'D	DESCRIPTION
1	01-27-03	A. JOHNSON	A. JOHNSON	ISSUE FOR RELEASE
2	03-27-04	D. STORMBECK	D. STORMBECK	SEE SHT 2
3	03-27-04	D. STORMBECK	D. STORMBECK	SEE SHT 3

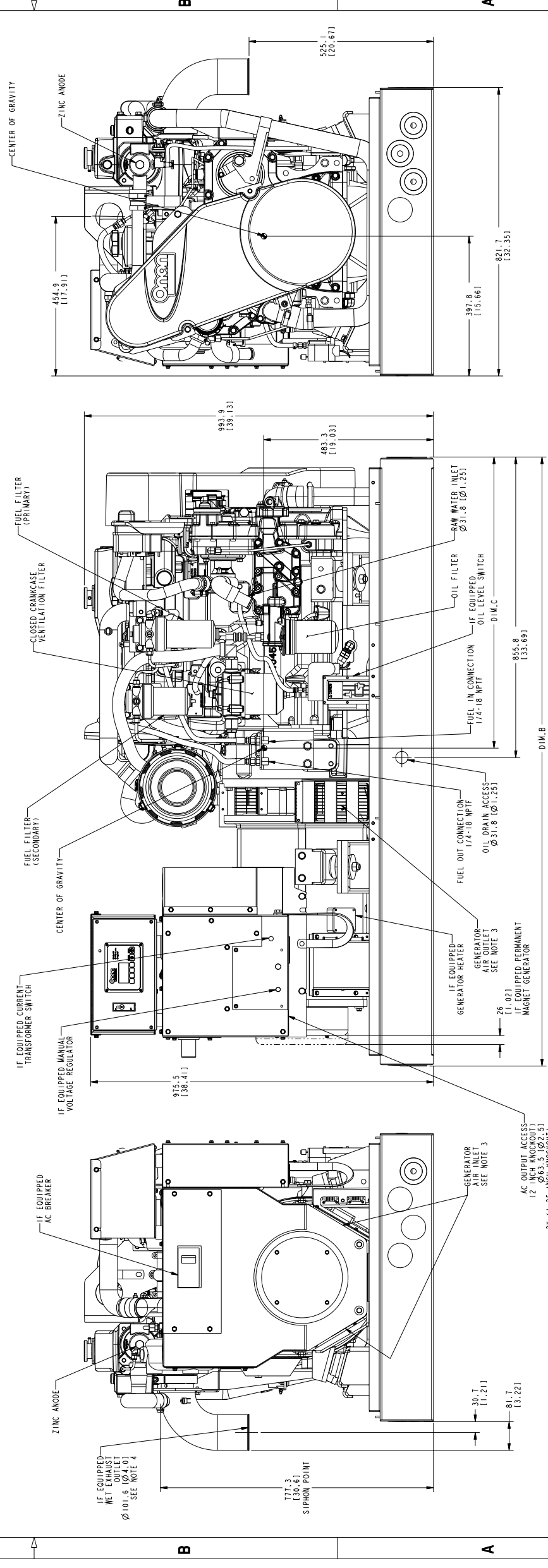
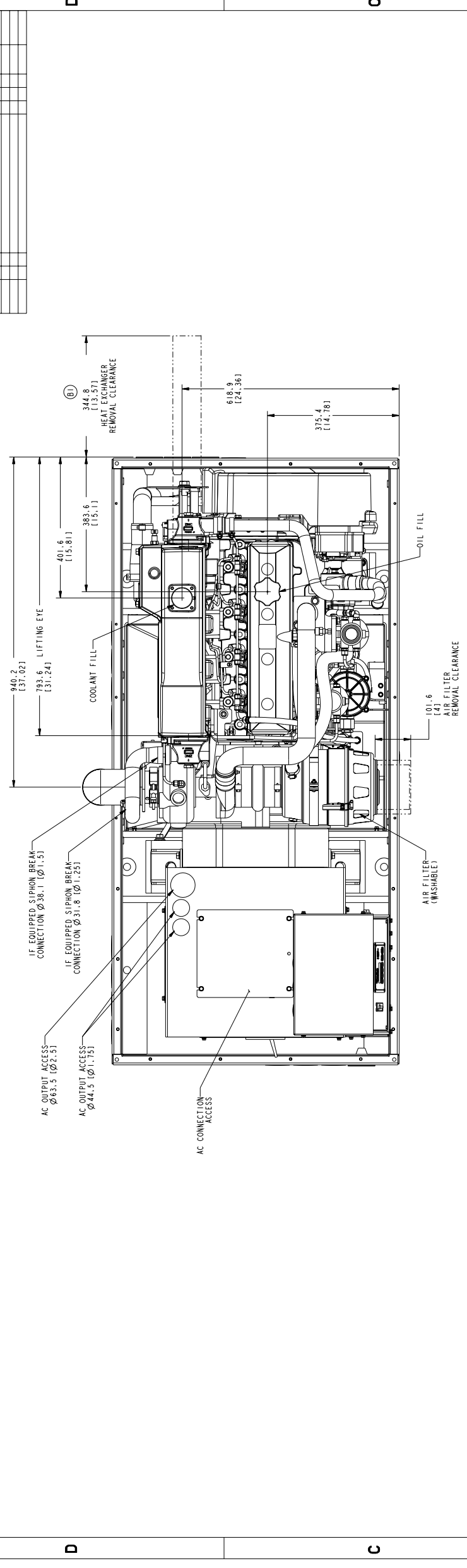
REV	DATE	BY	APP'D	DESCRIPTION
1	01-27-03	A. JOHNSON	A. JOHNSON	ISSUE FOR RELEASE
2	03-27-04	D. STORMBECK	D. STORMBECK	SEE SHT 2
3	03-27-04	D. STORMBECK	D. STORMBECK	SEE SHT 3

REV	DATE	BY	APP'D	DESCRIPTION
1	01-27-03	A. JOHNSON	A. JOHNSON	ISSUE FOR RELEASE
2	03-27-04	D. STORMBECK	D. STORMBECK	SEE SHT 2
3	03-27-04	D. STORMBECK	D. STORMBECK	SEE SHT 3

REV	DATE	BY	APP'D	DESCRIPTION
1	01-27-03	A. JOHNSON	A. JOHNSON	ISSUE FOR RELEASE
2	03-27-04	D. STORMBECK	D. STORMBECK	SEE SHT 2
3	03-27-04	D. STORMBECK	D. STORMBECK	SEE SHT 3

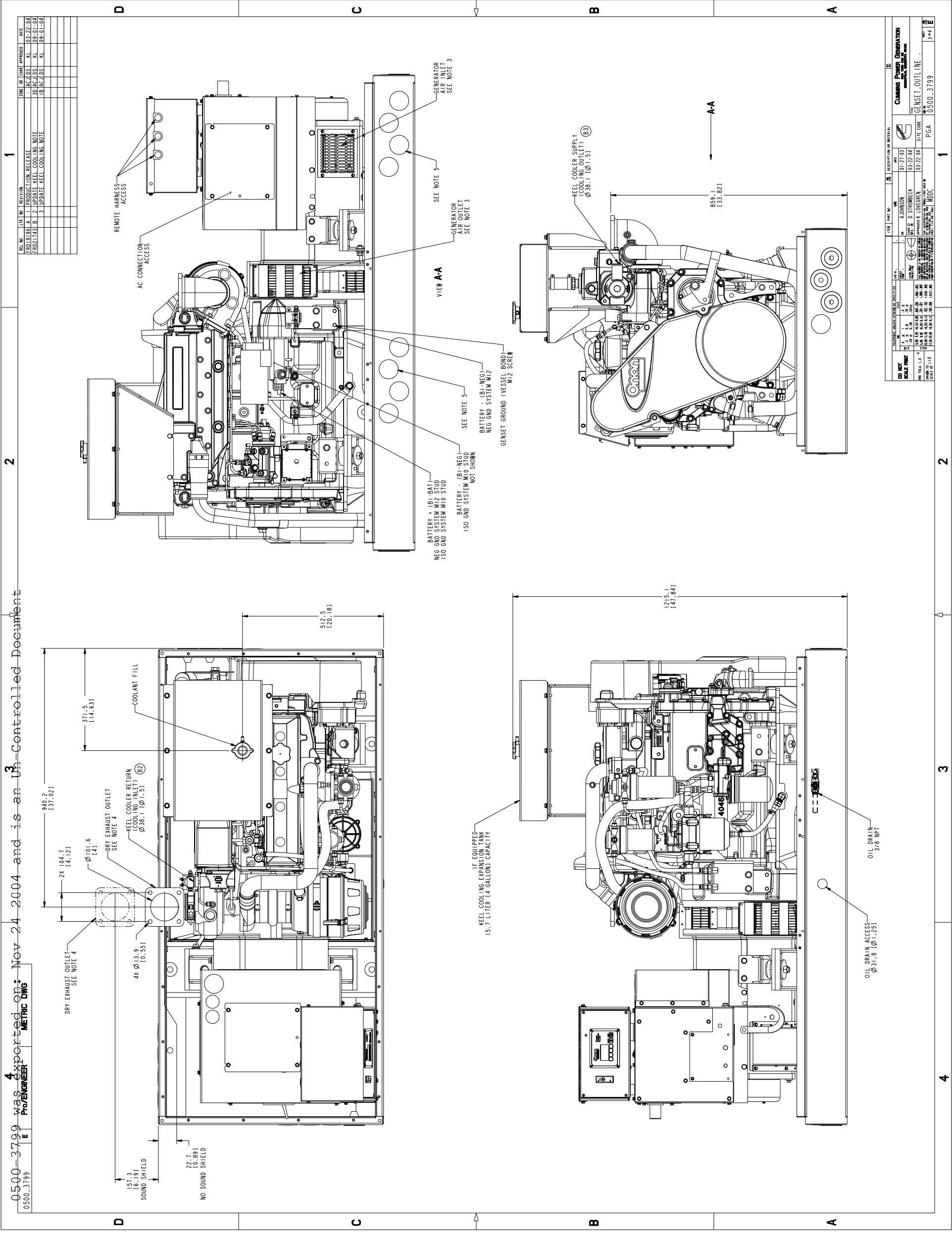
0500-3799 was exported on: Nov 24 2004 and is an **Un-3** Controlled Document
METRIC DIM
PRO/ENGINEER

REV	DATE	BY	APP'D	DESC
1	03-27-04	AL	AL	PRODUCTION RELEASE
2	03-27-04	AL	AL	REVISED TO ADD DIM. 344.8 "HEAT EXCHANGER"
3	03-27-04	AL	AL	REVISED TO ADD DIM. 344.8 "HEAT EXCHANGER"



DESCRIPTION OF MATERIAL Cummins Power Generation 0500-3799 GENSET-OUTLINE	
DATE 01-27-03	REV 03-27-04
BY A. JOHNSON	CHKD D. STONBECK
APP'D D. STONBECK	DATE 03-27-04
SCALE 1:1	SHEET NO. 2 of 2
PROJECT 0500-3799	PG# 0500-3799

0500-3799 was exported on Nov 24 2004 and is an Uncontrolled Document
 4 was exported on Nov 24 2004 and is an Uncontrolled Document
 E PRO/ENGINEER



REV	DATE	DESCRIPTION	BY	CHKD	APPROVED
1	03-27-03	DESIGN RELEASE	AL	AL	AL
2	03-27-04	UPDATE KEEL COOLING NOTE	AL	AL	AL
3	03-27-04	UPDATE KEEL COOLING NOTE	AL	AL	AL

REV	DATE	DESCRIPTION	BY	CHKD	APPROVED
1	01-27-03	DESIGN RELEASE	AL	AL	AL
2	03-27-04	UPDATE KEEL COOLING NOTE	AL	AL	AL
3	03-27-04	UPDATE KEEL COOLING NOTE	AL	AL	AL

REV	DATE	DESCRIPTION	BY	CHKD	APPROVED
1	01-27-03	DESIGN RELEASE	AL	AL	AL
2	03-27-04	UPDATE KEEL COOLING NOTE	AL	AL	AL
3	03-27-04	UPDATE KEEL COOLING NOTE	AL	AL	AL

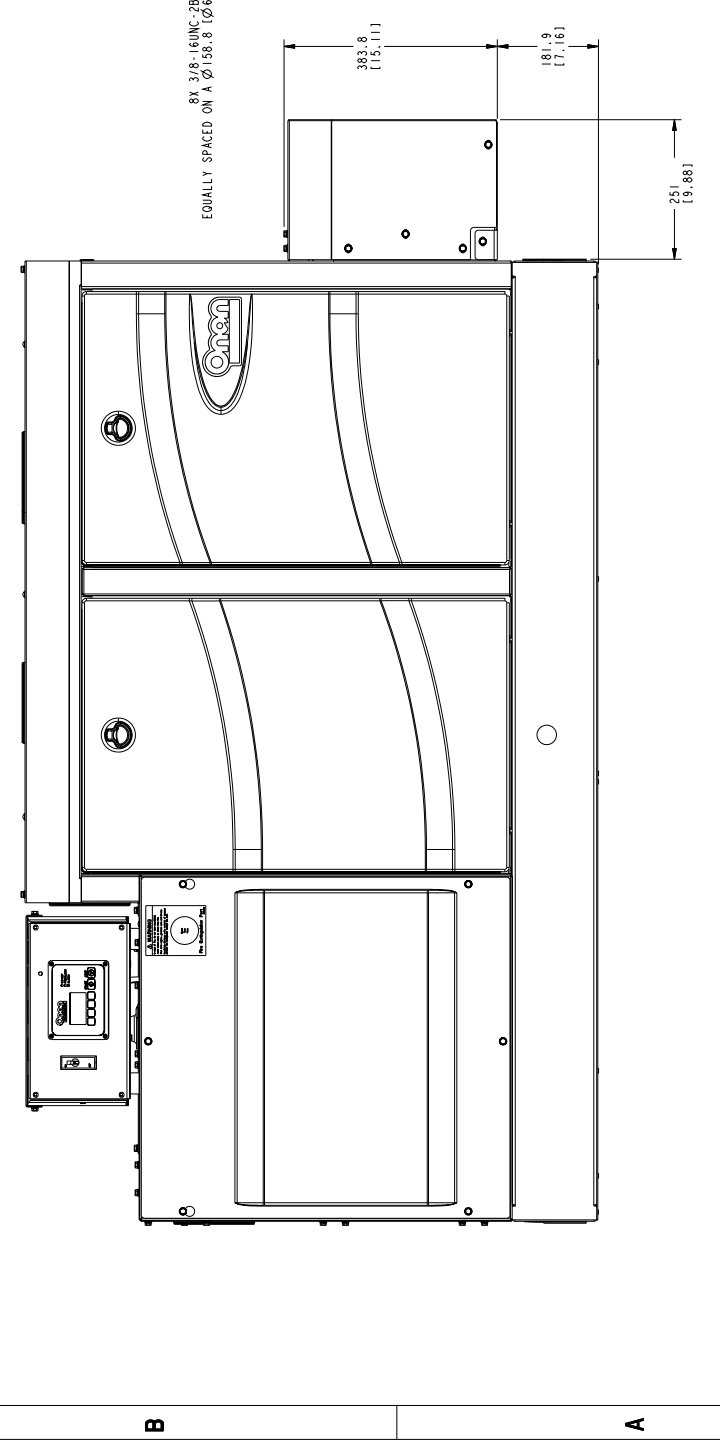
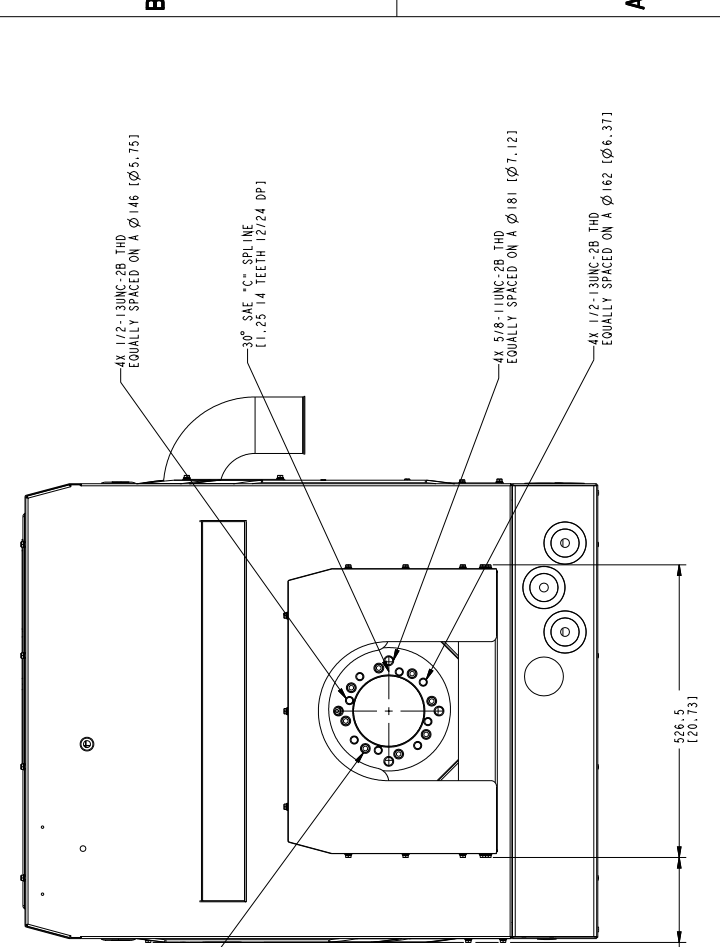
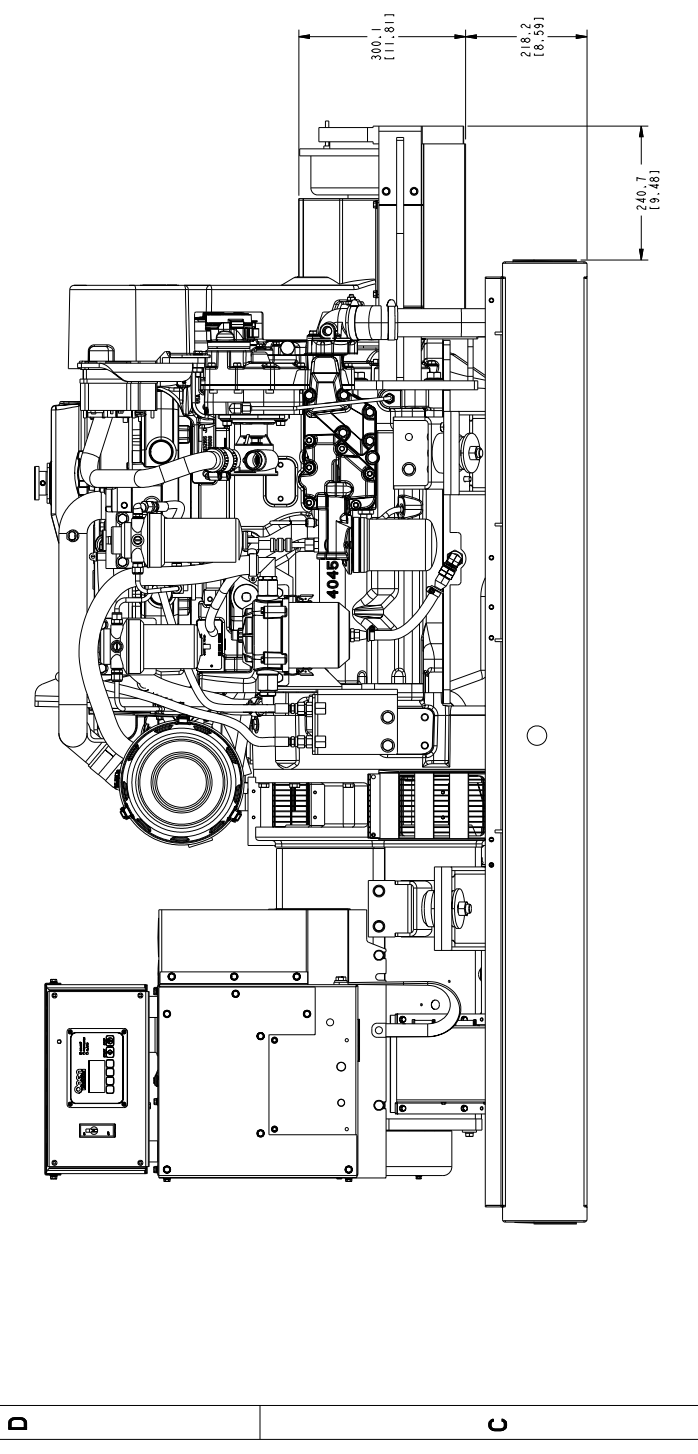
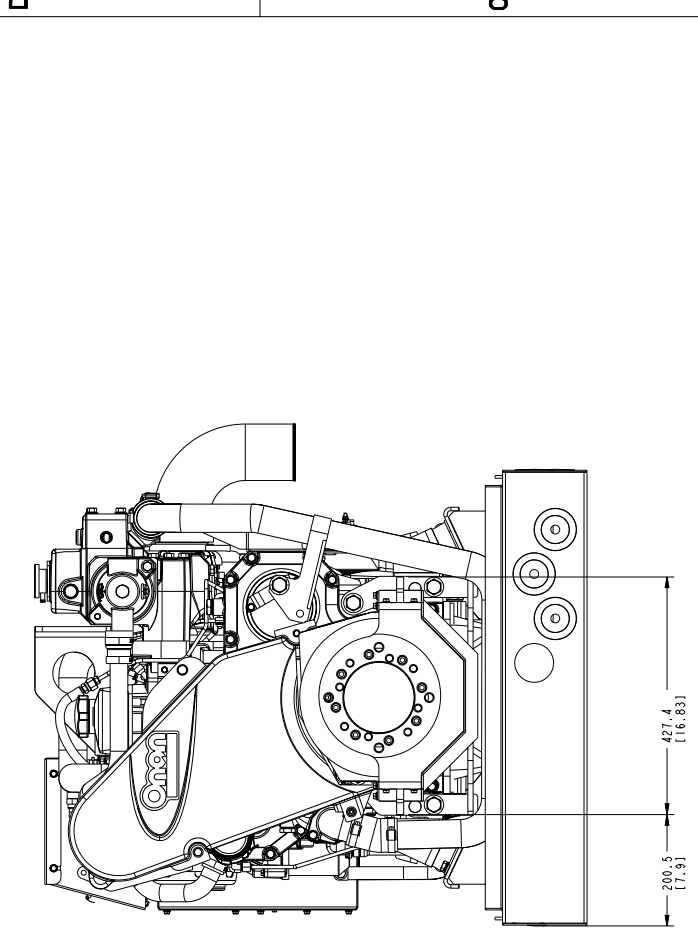
REV	DATE	DESCRIPTION	BY	CHKD	APPROVED
1	01-27-03	DESIGN RELEASE	AL	AL	AL
2	03-27-04	UPDATE KEEL COOLING NOTE	AL	AL	AL
3	03-27-04	UPDATE KEEL COOLING NOTE	AL	AL	AL

REV	DATE	DESCRIPTION	BY	CHKD	APPROVED
1	01-27-03	DESIGN RELEASE	AL	AL	AL
2	03-27-04	UPDATE KEEL COOLING NOTE	AL	AL	AL
3	03-27-04	UPDATE KEEL COOLING NOTE	AL	AL	AL

Cummins Power Generation
 GENSET-OUTLINE
 0500-3799

0500-3799 was exported on: Nov 24 2004 and is an ³U₃-Controlled Document
 4
 E
 Pro/ENGINEER
 METRIC DWG

REV	DATE	APPROVED	BY
1	03-27-04	AK	AK
2	03-27-04	AK	AK
3	03-27-04	AK	AK
4	03-27-04	AK	AK
5	03-27-04	AK	AK
6	03-27-04	AK	AK
7	03-27-04	AK	AK
8	03-27-04	AK	AK
9	03-27-04	AK	AK
10	03-27-04	AK	AK



REV	DATE	APPROVED	BY
1	01-27-03	AK	AK
2	03-27-04	AK	AK
3	03-27-04	AK	AK
4	03-27-04	AK	AK
5	03-27-04	AK	AK
6	03-27-04	AK	AK
7	03-27-04	AK	AK
8	03-27-04	AK	AK
9	03-27-04	AK	AK
10	03-27-04	AK	AK

IF EQUIPPED
 POWER TAKE OFF

DESCRIPTION OR MATERIAL
 CUMMINS POWER GENERATION
 GENSET-OUTLINE

DATE: 03-27-04
 SITE CODE: 0500-3799