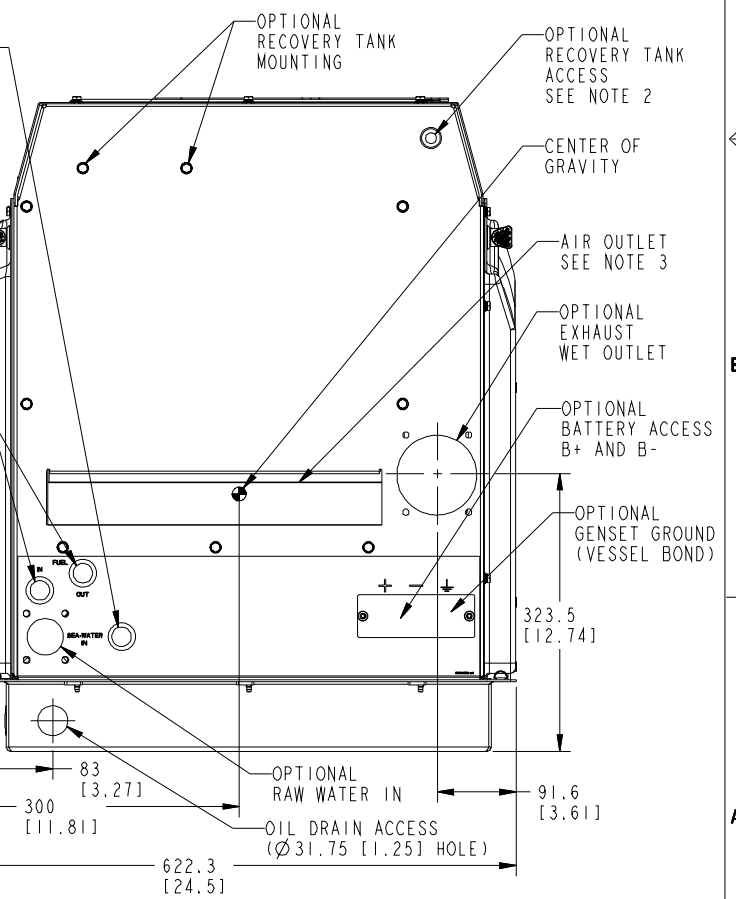
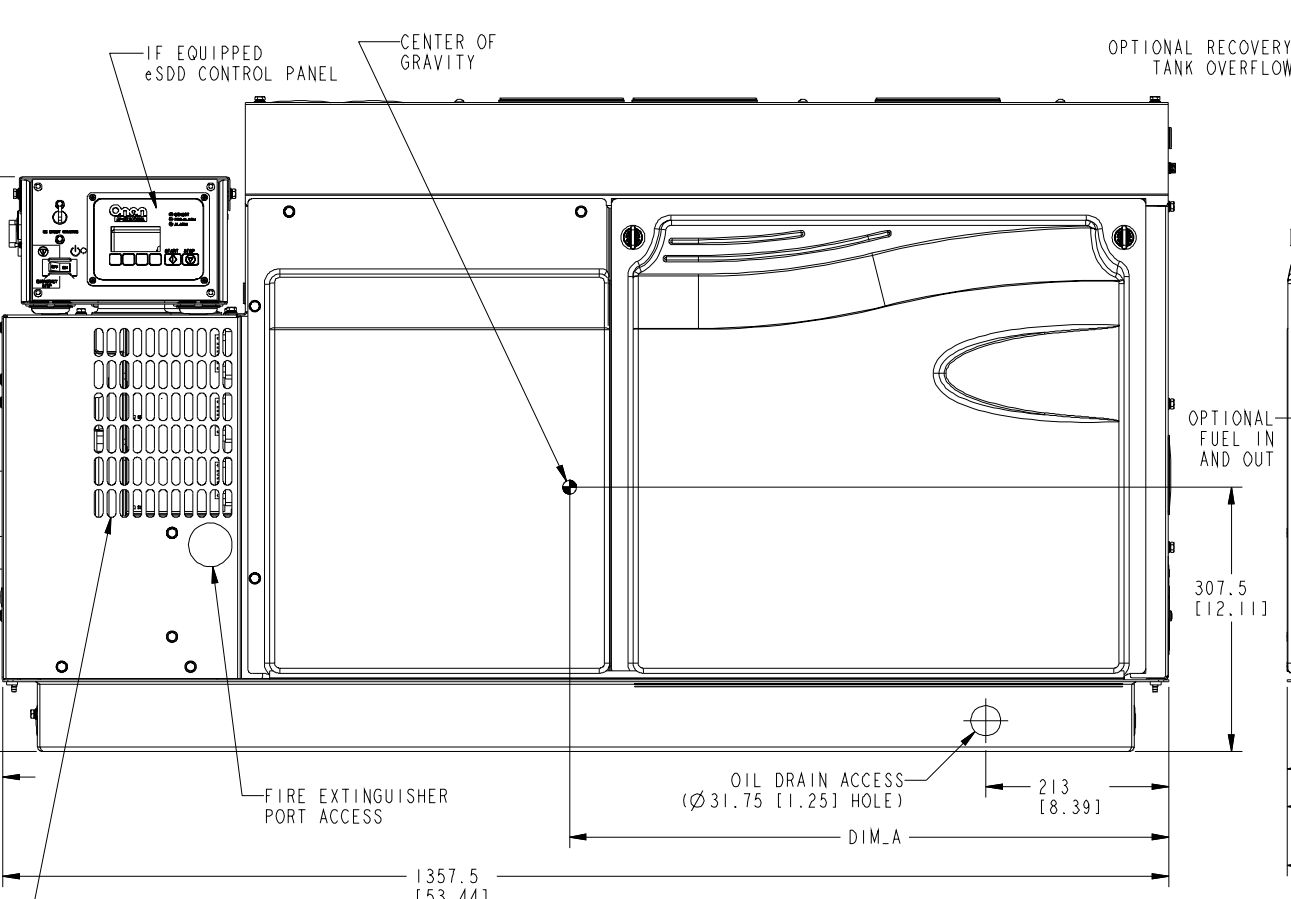
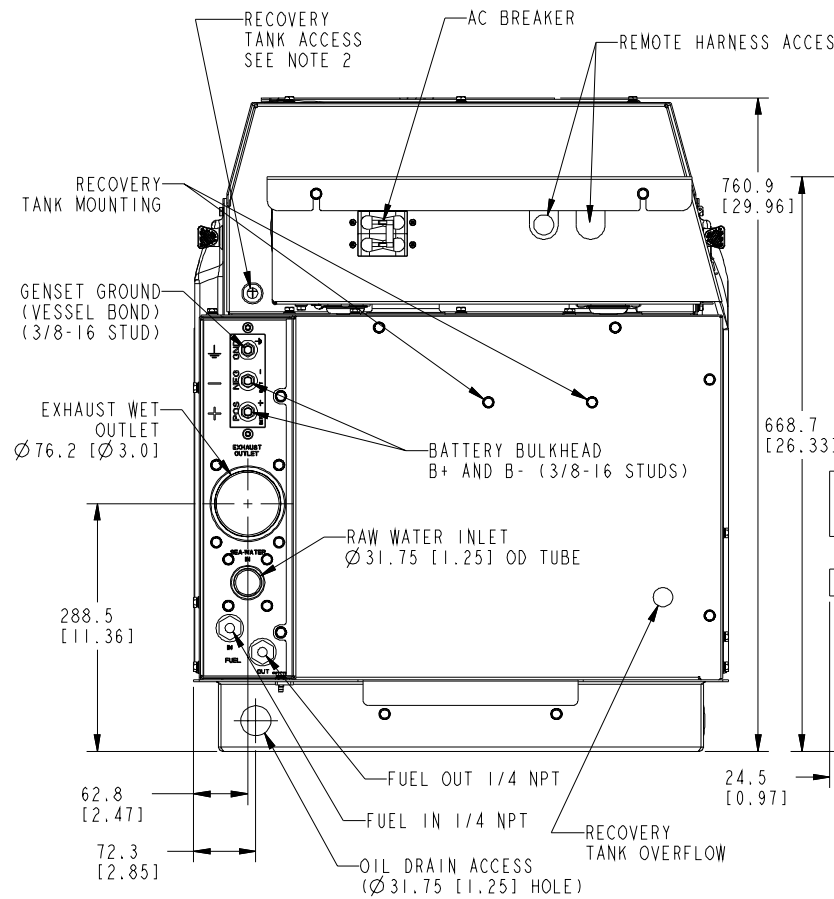
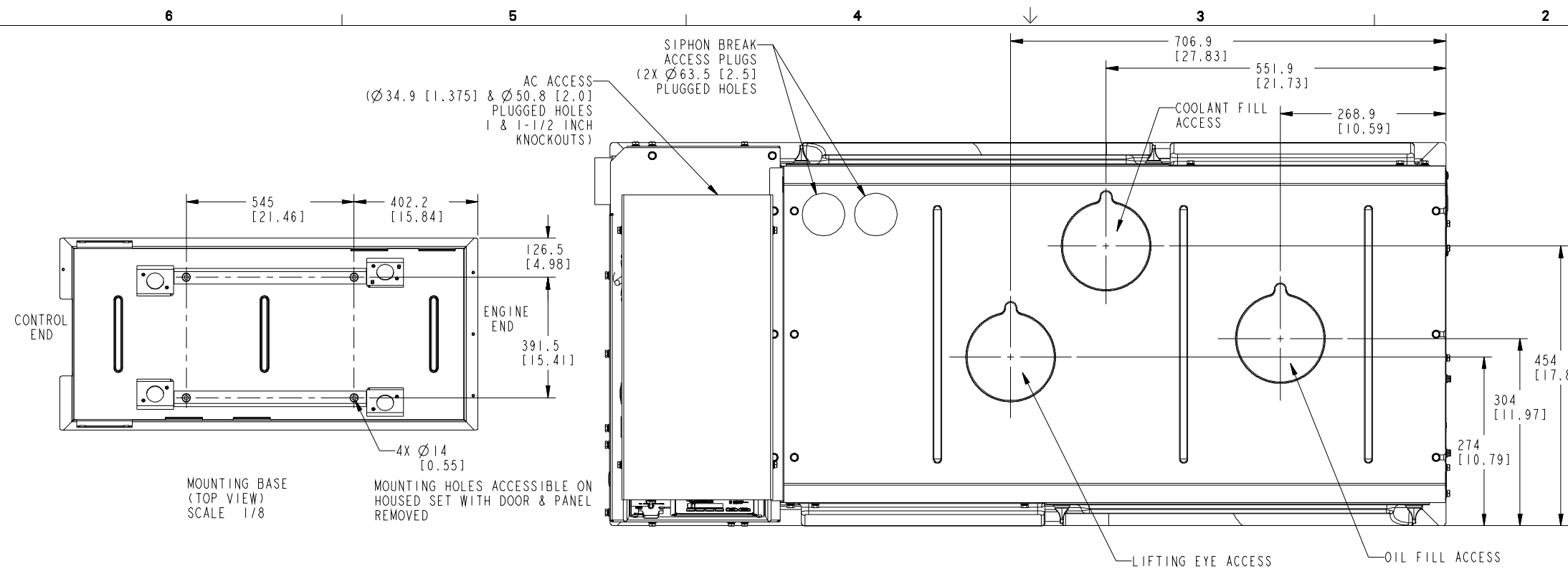


REL NO	LTR	NO	REVISION	ZONE	DWN	CKD	APVD	DATE
FRD28372	A	1	PRODUCTION RELEASE	-	JP	DS	DS	09-07-06

- NOTES:
1. DIMENSIONS IN [] ARE INCHES.
 2. THRU HOLES FOR HOSE ROUTING INCLUDE RUBBER GROMMETS FOR ABRASION PROTECTION.
 3. 100 [4.0] MIN CLEARANCE REQUIRED FOR AIR FLOW AT INLET AND 50 [2.0] AT OUTLET.

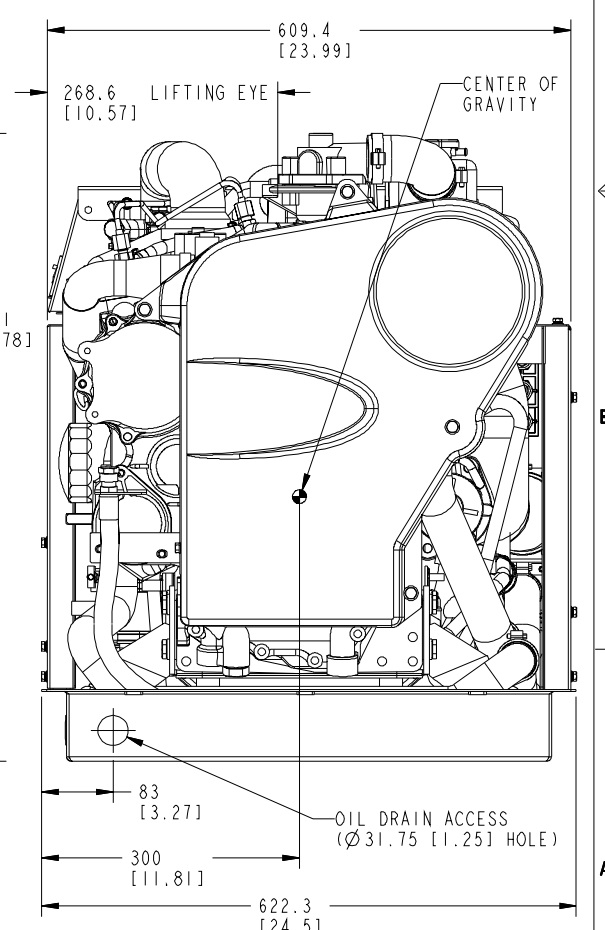
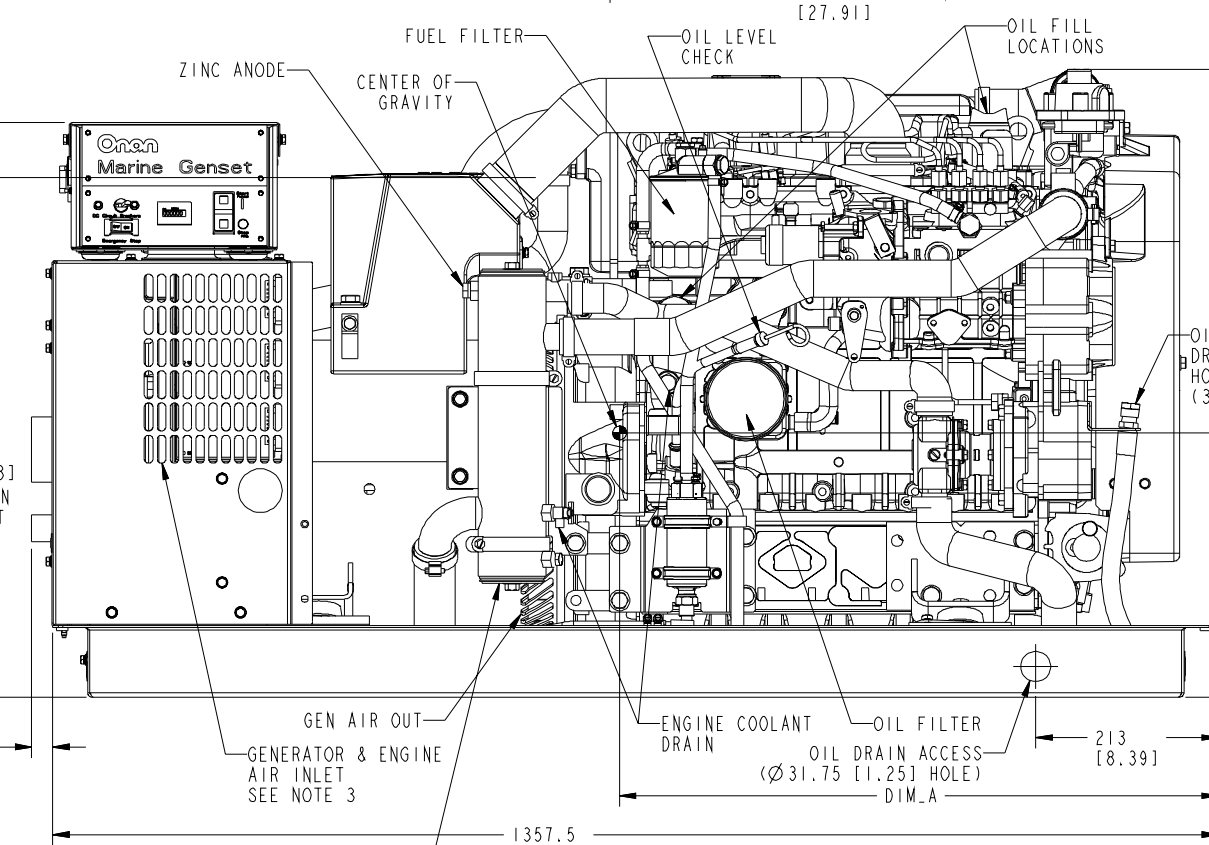
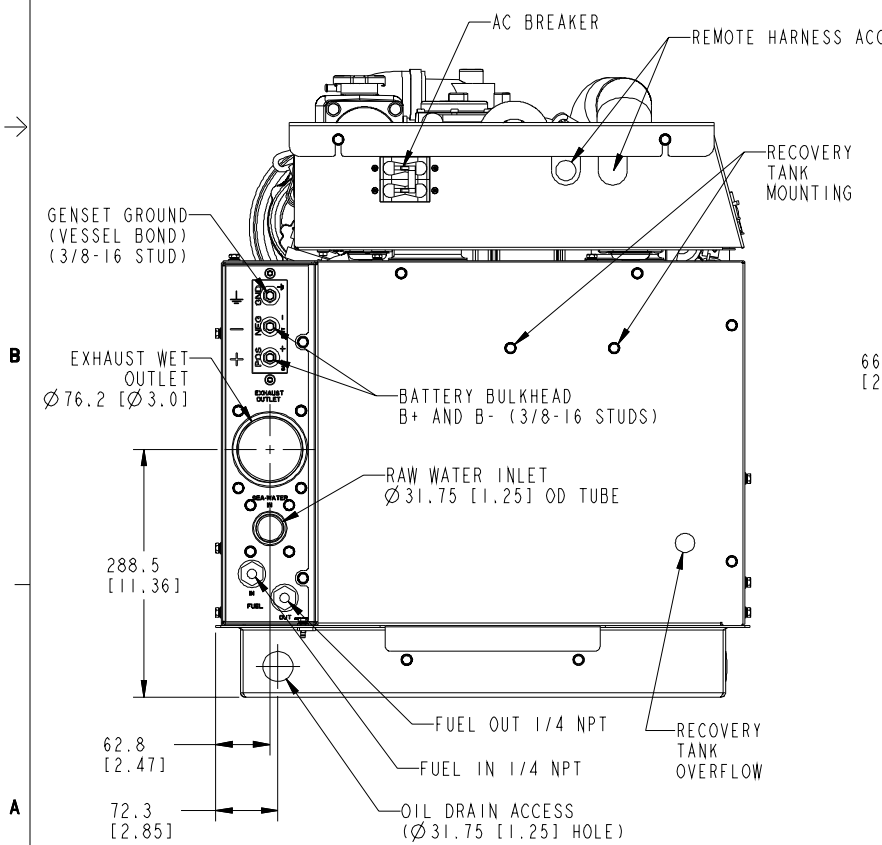
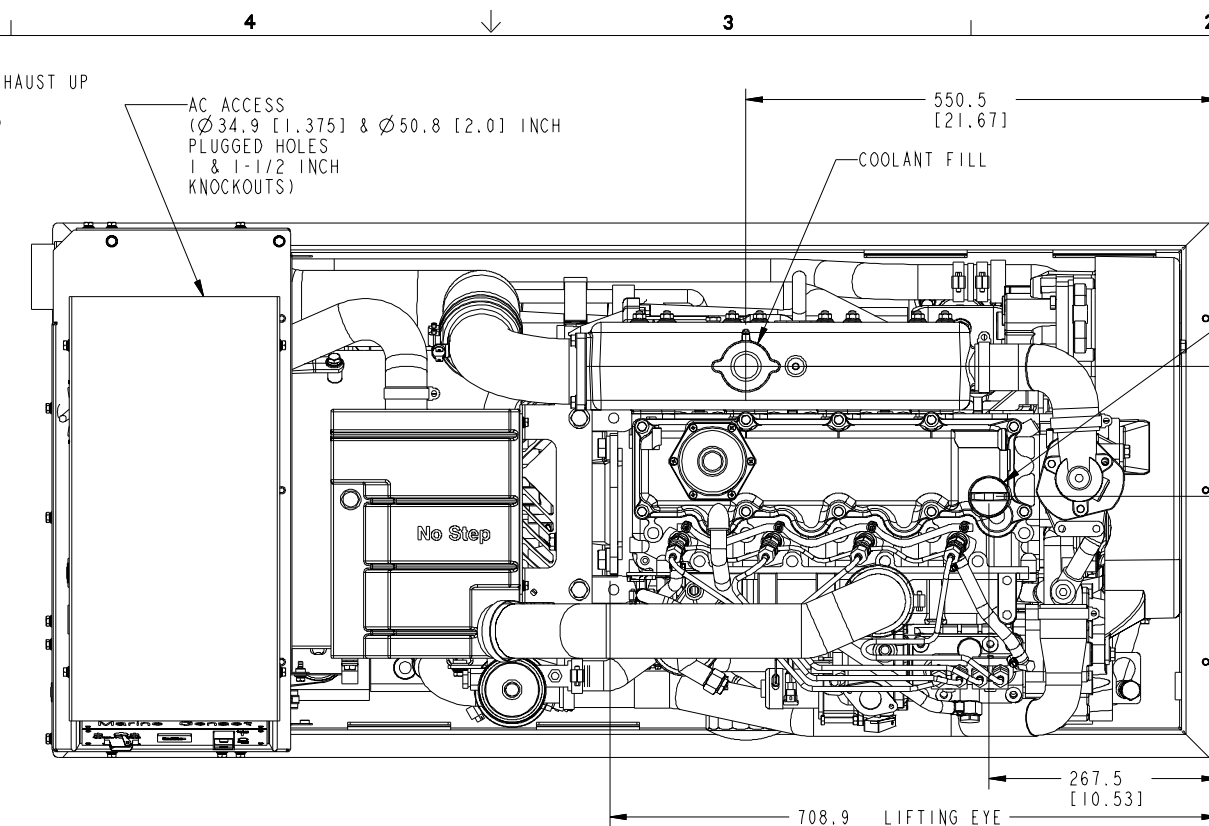
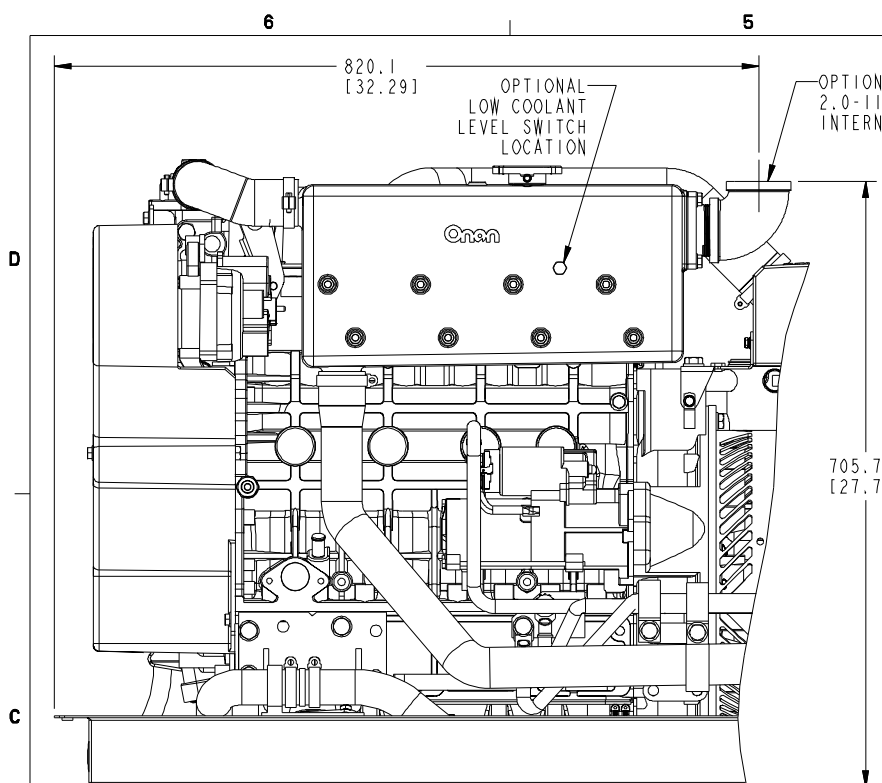
TABULATION					
MODEL	OPTION	DIM_A	WET WEIGHT	DRY WEIGHT	
MDKBT	IPH,HOUSED	697.6 [27.46]	583KG 1285LB	601KG 1325LB	
MDKBT	IPH,UNHOUSED	697.6 [27.46]	546KG 1205LB	565KG 1245LB	
MDKBU	IPH,HOUSED	732.7 [28.84]	644KG 1420LB	626KG 1380LB	
MDKBU	IPH,UNHOUSED	732.7 [28.84]	608KG 1340LB	590KG 1300LB	



UNLESS OTHERWISE SPECIFIED, ALL DIMENSIONS ARE IN MILLIMETERS		DWT		ITEM PART NO		DESCRIPTION OR MATERIAL	
SIM TO		DWN J. PETERSON		CKD T. HARDER		CUMMINS POWER GENERATION 1400 73RD AVENUE NE, MINNEAPOLIS, MN 55432	
DO NOT SCALE PRINT		APVD D. STROMBECK		DATE 09-07-06		SITE CODE	
CONFIDENTIAL - PROPERTY OF CUMMINS POWER GENERATION GROUP		FOR INTERPRETATION OF DIMENSIONS AND TOLERANCES, SEE ASME Y12.5M-1994		FIRST USED ON MDKBT/U		PGF	
ANG TOL: ± 1.0°		SCALE: 1/4		DWT		D 0500_4307	
				SHEET 1 OF 3		REV A	

Pro/ENGINEER

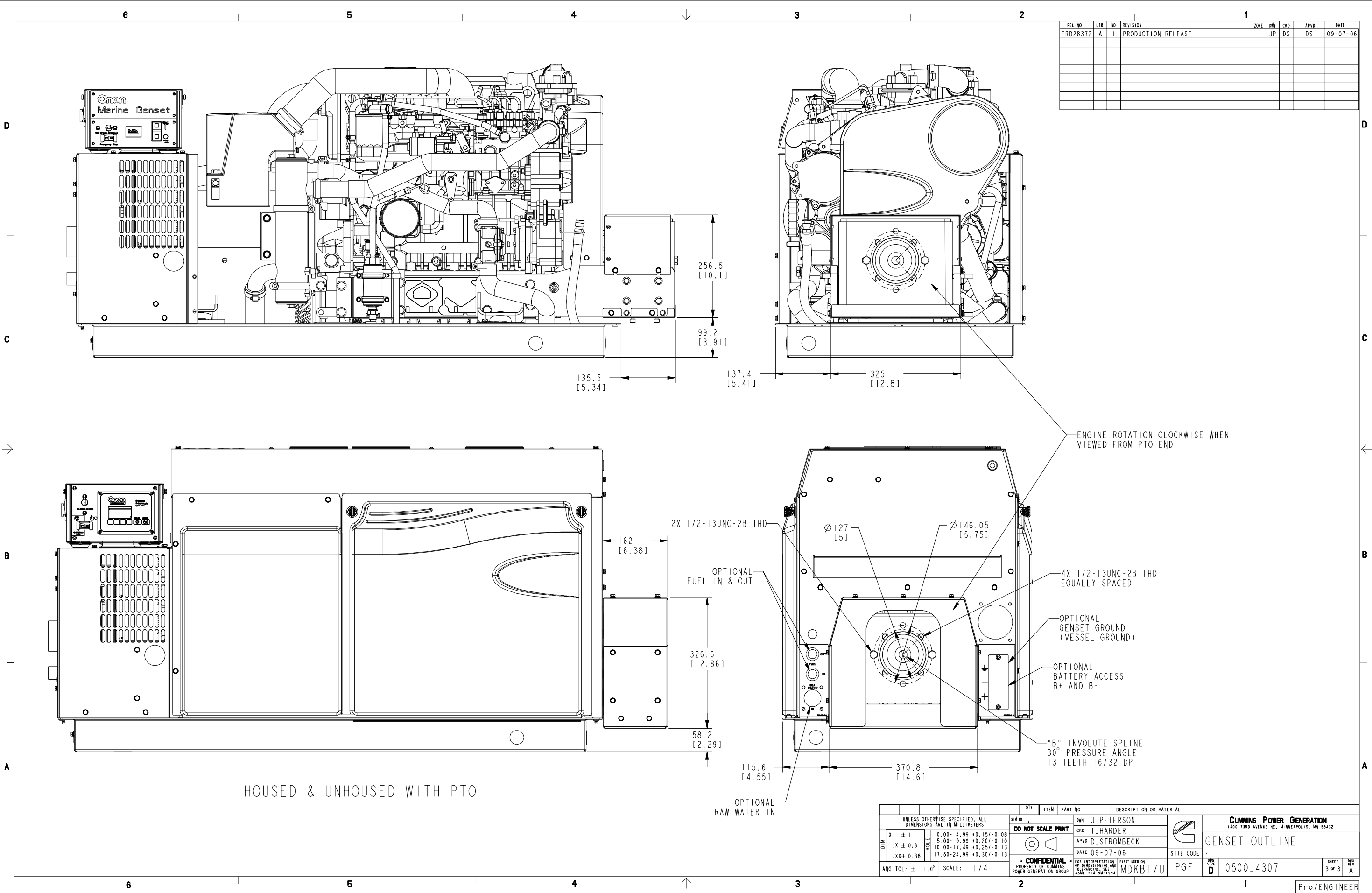
REL NO	LTR	NO	REVISION	ZONE	DWN	CKD	APVD	DATE
FRD28372	A	1	PRODUCTION RELEASE	-	JP	DS	DS	09-07-06



QTY	ITEM	PART NO	DESCRIPTION OR MATERIAL
UNLESS OTHERWISE SPECIFIED, ALL DIMENSIONS ARE IN MILLIMETERS			
SIM TO			
DO NOT SCALE PRINT			
DWN J. PETERSON			
CKD T. HARDER			
APVD D. STROMBECK			
DATE 09-07-06			
SITE CODE			
FOR INTERPRETATION OF DIMENSIONS AND TOLERANCES, SEE ASME Y12.5M-1994			
CONFIDENTIAL - PROPERTY OF CUMMINS POWER GENERATION GROUP			
FIRST USED ON			
MDKBT/U			
PGF			
D 0500_4307			
SHEET 2 OF 3			
REV A			

Pro/ENGINEER

REL NO	LTR	NO	REVISION	ZONE	DWN	CKD	APVD	DATE
FRD28372	A	1	PRODUCTION_RELEASE	-	JP	DS	DS	09-07-06



ENGINE ROTATION CLOCKWISE WHEN VIEWED FROM PTO END

HOUSED & UNHOUSED WITH PTO

UNLESS OTHERWISE SPECIFIED, ALL DIMENSIONS ARE IN MILLIMETERS		DTY	ITEM	PART NO	DESCRIPTION OR MATERIAL
X ± 1	0.00 - 4.99 +0.15/-0.08	SIM TO		DWN	J. PETERSON
.X ± 0.8	5.00 - 9.99 +0.20/-0.10	DO NOT SCALE PRINT		CKD	T. HARDER
.XX ± 0.38	10.00 - 17.49 +0.25/-0.13			APVD	D. STROMBECK
	17.50 - 24.99 +0.30/-0.13			DATE	09-07-06
ANG TOL: ± 1.0°	SCALE: 1/4	CONFIDENTIAL	FOR INTERPRETATION OF DIMENSIONS AND TOLERANCES, SEE ASME Y12.5M-1994	PROPERTY OF CUMMINS POWER GENERATION GROUP	FIRST USED ON MDKBT/U
					PGF
					0500_4307
					SHEET 3 OF 3

Pro/ENGINEER