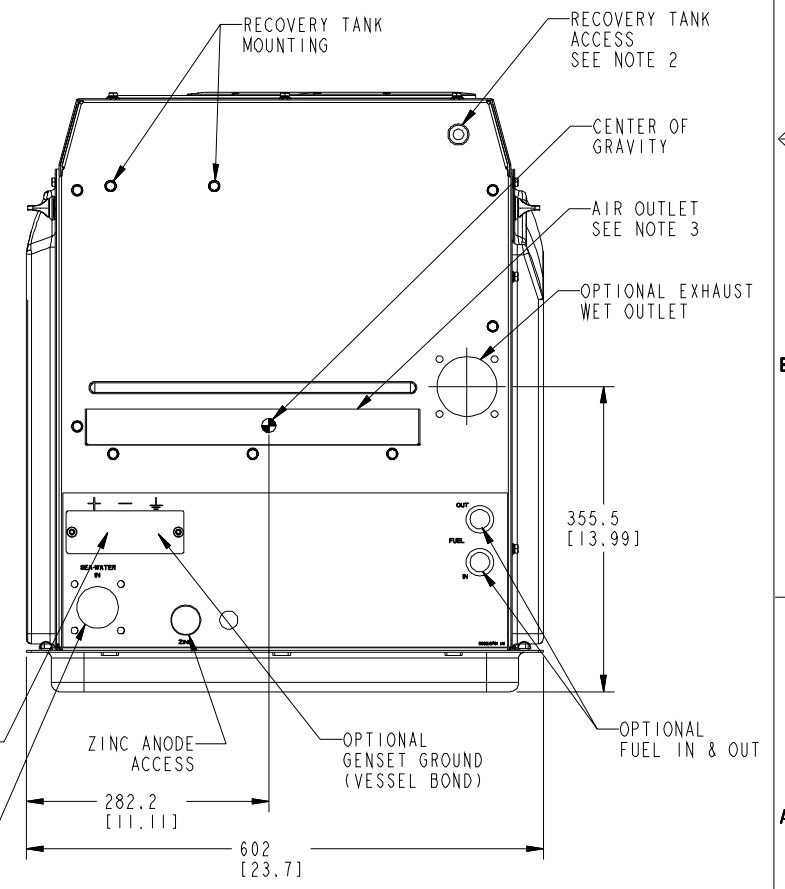
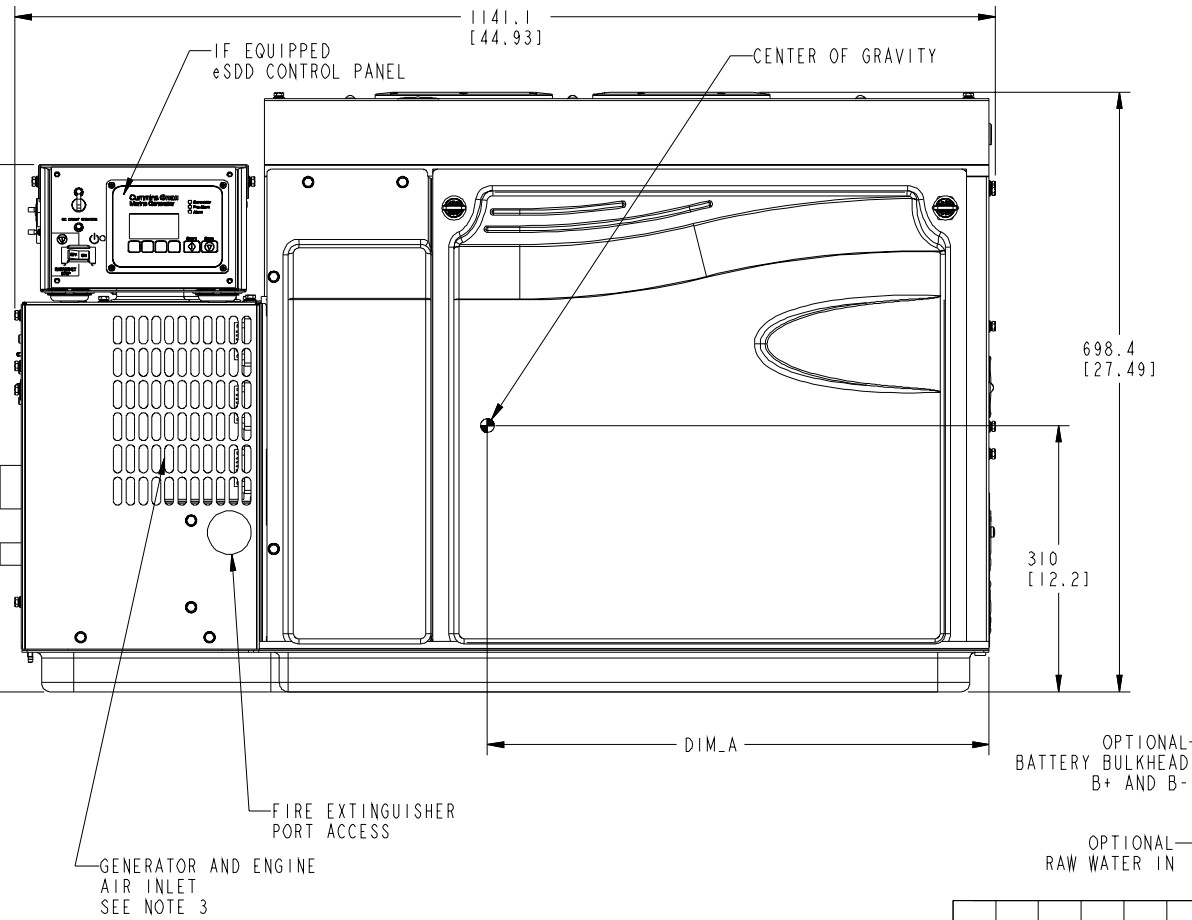
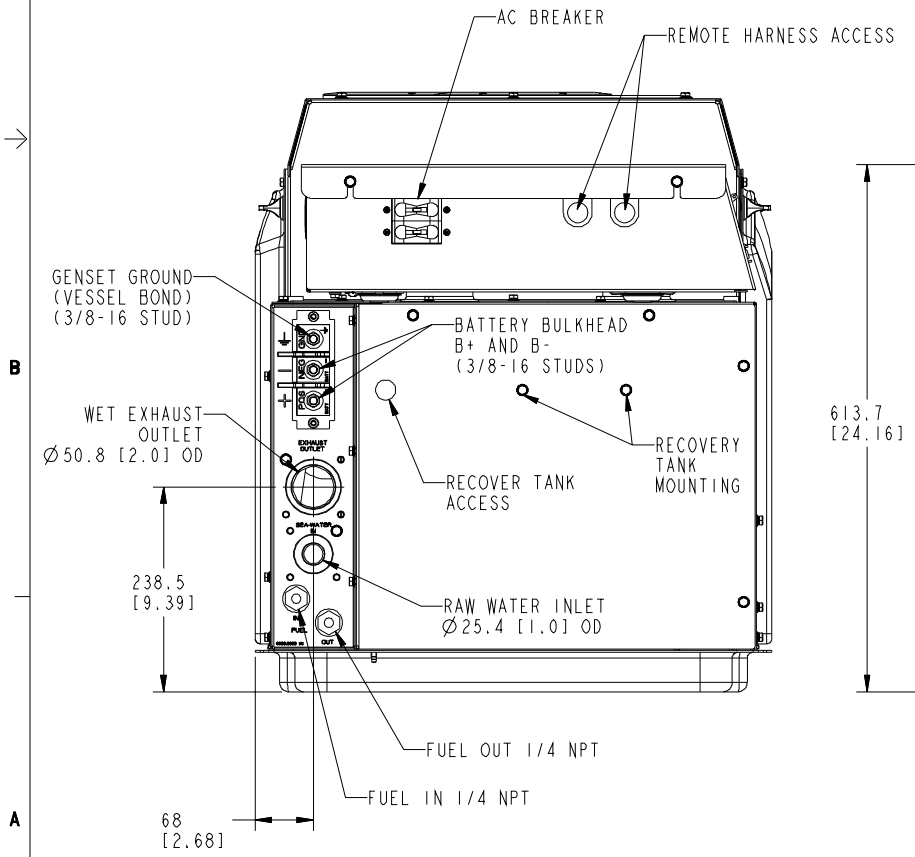
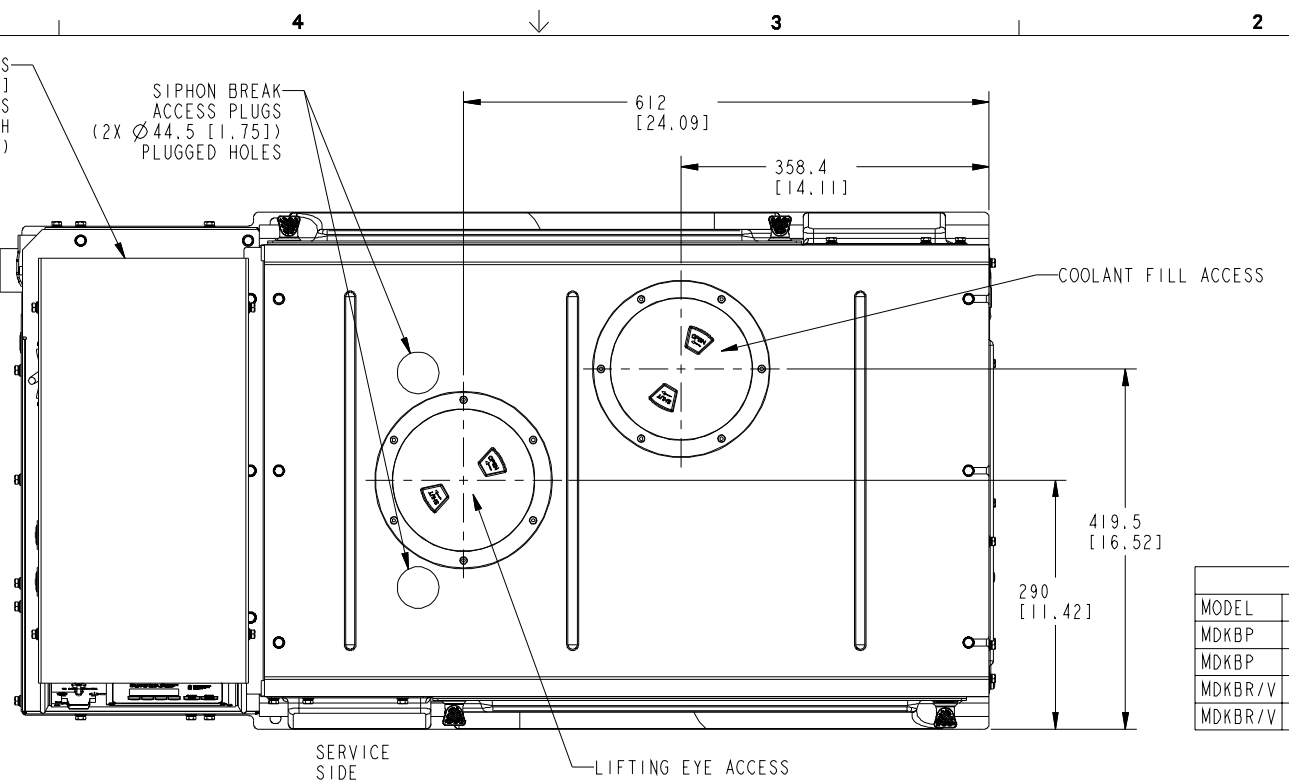
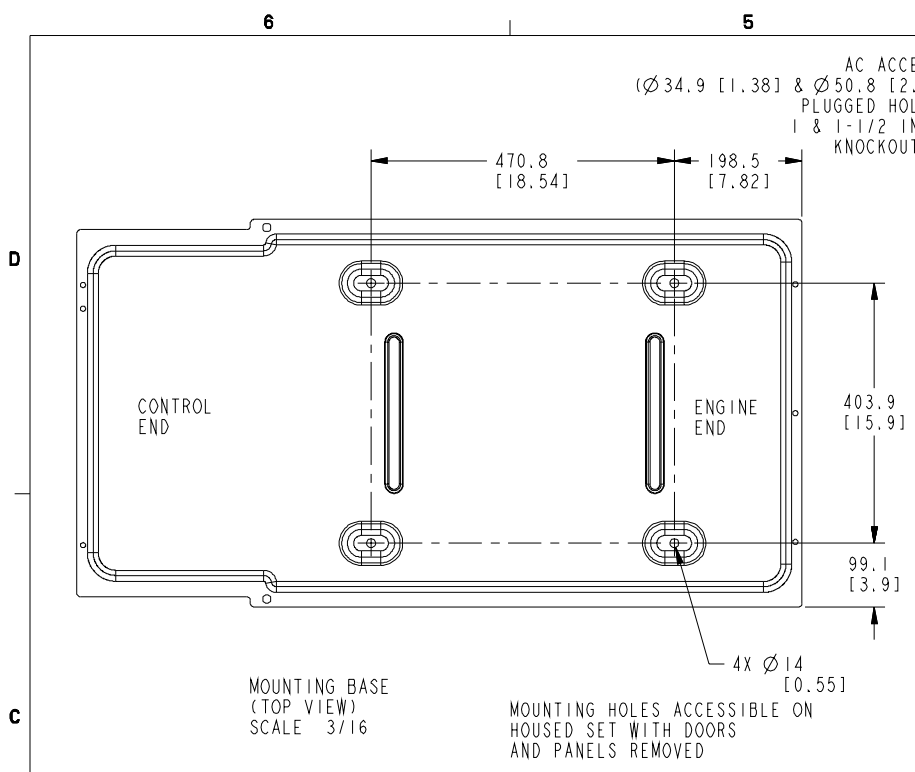


REL NO	LTR	NO	REVISION	ZONE	DWN	CKD	APVD	DATE
FRD32041	A	1	PRODUCTION RELEASE		JP	DS	DS	11-14-07

- NOTES:
1. DIMENSIONS IN [] ARE INCHES.
 2. THRU HOLES FOR HOSE ROUTING INCLUDE RUBBER GROMMETS FOR ABRASION PROTECTION.
 3. 100 [4.0] MIN CLEARANCE REQUIRED FOR AIR FLOW AT INLET AND 50 [2.0] AT OUTLET.

TABULATION					
MODEL	OPTION	DIM_A	DIM_B	WET WEIGHT	DRY WEIGHT
MDKBP	HOUSED	584.2 [23]	-----	418KG 920LB	404KG 890LB
MDKBP	UNHOUSED	584.2 [23]	666.8 [26.25]	390KG 860LB	377KG 830LB
MDKBR/V	HOUSED	614.6 [24.2]	-----	436KG 960LB	422KG 930LB
MDKBR/V	UNHOUSED	614.6 [24.2]	671.8 [26.45]	409KG 900LB	395KG 870LB

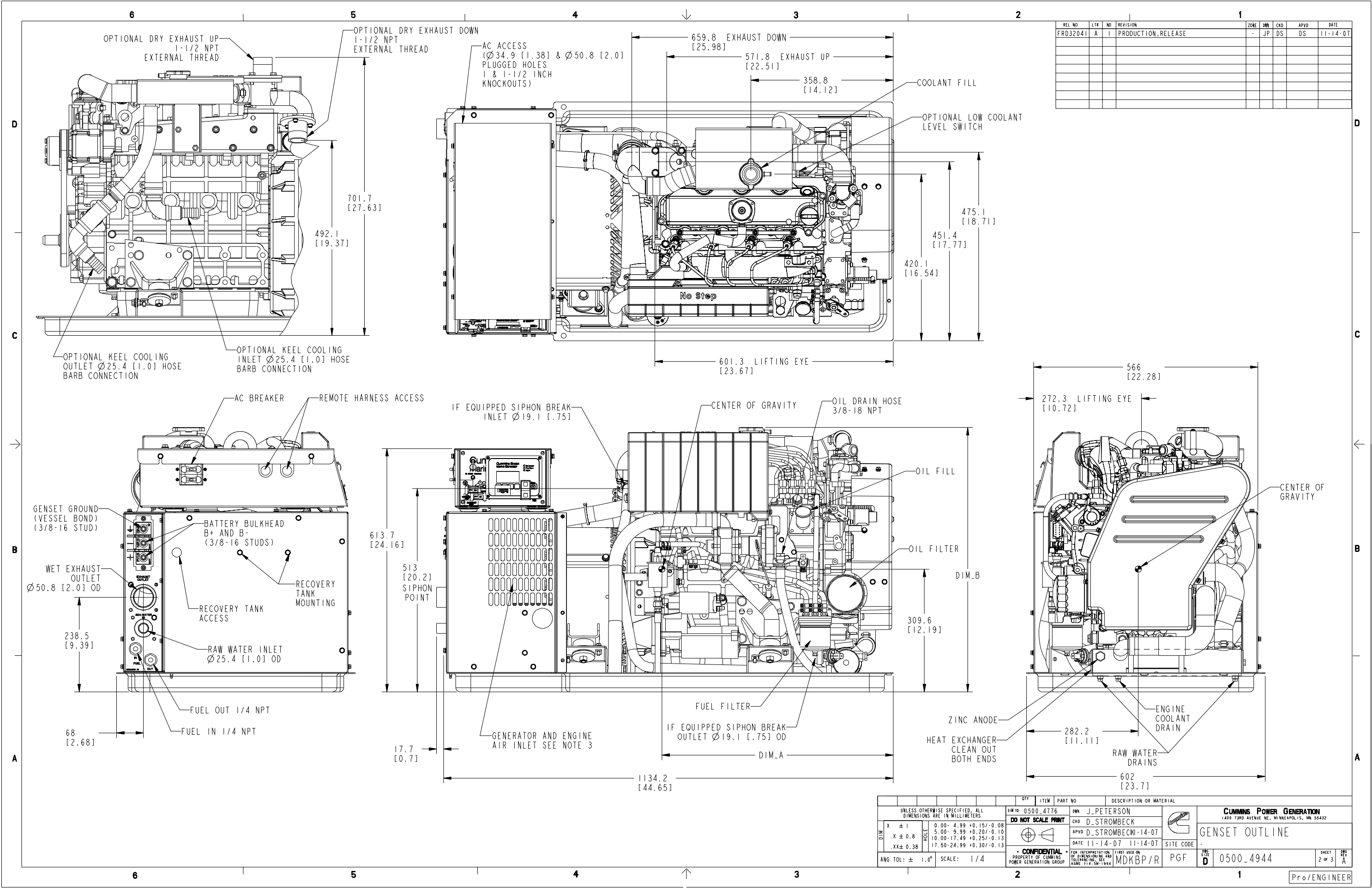


DIM		TOLERANCE		SCALE		DATE		SHEET	
X ± 1	0.00 - 4.99	+0.15/-0.08	1/4	11-14-07	1	3	1	3	
.X ± 0.8	5.00 - 9.99	+0.20/-0.10							
.XX ± 0.38	10.00 - 17.49	+0.25/-0.13							
	17.50 - 24.99	+0.30/-0.13							

UNLESS OTHERWISE SPECIFIED, ALL DIMENSIONS ARE IN MILLIMETERS	DO NOT SCALE PRINT	DATE 11-14-07	DATE 11-14-07
ANG TOL: ± 1.0°	SCALE: 1/4	PROPERTY OF CUMMINS POWER GENERATION GROUP	CONFIDENTIAL

DTY	ITEM	PART NO	DESCRIPTION OR MATERIAL
0500_4776	J. PETERSON	D. STROMBECK	D. STROMBECK-14-07
CUMMINS POWER GENERATION 1400 73RD AVENUE NE, MINNEAPOLIS, MN 55432			
GENSET OUTLINE			
0500_4944	MDKBP/R	PGF	D

REL NO	LTR NO	NO	REVISION	ZONE	DWN	CKD	APVD	DATE
FRD32041	A	1	PRODUCTION RELEASE	-	JP	DS	DS	11-14-07



UNLESS OTHERWISE SPECIFIED, ALL DIMENSIONS ARE IN MILLIMETERS		DTY	ITEM	PART NO	DESCRIPTION OR MATERIAL
X ± 1		SIM TO		0500_4776	DWN J. PETERSON
.X ± 0.8		DO NOT SCALE PRINT			CKD D. STROMBECK
.XX ± 0.38		HOLE			APVD D. STROMBECK-14-07
ANG TOL: ± 1.0°		SCALE: 1/4			DATE 11-14-07 11-14-07
		FOR INTERPRETATION OF DIMENSIONS AND TOLERANCES, SEE ASME Y12.5M-1994			SITE CODE
		PROPERTY OF CUMMINS POWER GENERATION GROUP			MDKBP/R
		CONFIDENTIAL			PGF
		FIRST USED ON			0500_4944
		DATE			11-14-07
		SHEET			2 OF 3
		REV			A

CUMMINS POWER GENERATION
1400 73RD AVENUE NE, MINNEAPOLIS, MN 55432

GENSET OUTLINE

DATE: 11-14-07

REV: A

PRO/ENGINEER

