

Spare parts catalogue

mitsubishi

Engine

S4Q2-Z261SD

S4Q2-Y362SD

S4Q2-Y262SD

S4Q2Y162SD

S4Q261SD

Parts Catalogue

Engine No.S4Q2-61SD :010194-UP
S4Q2-Y162SD:016425-UP
S4Q2-Y262SD:028184-UP
S4Q2-Y362SD:070422-UP
S4Q2-Z261SD :049757-UP

MITSUBISHI DIESEL ENGINE

S4Q2-61SD

S4Q2-Y162SD

S4Q2-Y262SD

S4Q2-Y362SD

S4Q2-Z261SD

for SDMO

June 2009



MITSUBISHI
HEAVY INDUSTRIES, LTD.

Pub.No. 98615-D4050

mitsubishi genuine parts

“mitsubishi genuine parts” should be used exclusively for servicing your Mitsubishi engine.

“mitsubishi genuine parts” are superior and reliable because they have been produced under the excellent quality-control system, and have passed the strict inspections.

Imitation parts are not reliable from the viewpoints of their material and manufacturing method which are entirely incomparable with those of genuine parts.

A large assortment of “mitsubishi genuine parts” is always available at any of our authorized dealers, so do your ordering at your nearest dealer by specifying “mitsubishi genuine parts”.

GUIDE FOR USE OF PARTS CATALOGUE

1. This Parts Catalogue contains service parts for the following Mitsubishi S4Q2 diesel engine. The applicable engine type and serial number are as follows:

ENGINE NAME	MODEL	USE · SPECIFICATION	APPLICABLE SERIAL NO.
S4Q2	61SD	For Generator	010194-UP
	Y162SD		016425-UP
	Y262SD		028184-UP
	Y362SD		070422-UP
	Z261SD		049757-UP

2. When ordering parts, give the Mitsubishi dealer or distributor the following information:
 - (1) Part number (or assembly number) and part name.
 - (2) Quantity required
 - (3) Model and serial number

NOTE: In some cases, a substitute part is furnished instead of the part ordered.

3. Indication of assembled bolts with washer
Of the standard bolts, those with washers are identified by the symbol "B/W" in the Description column of each list. (Part Name: BOLT, W/WASHER)
For the part numbers of the bolts, washers and those of bolts with washers, refer to the listing (beginning with the page D1) at the end of this parts catalogue. These bolts and washers should be ordered individually.
4. For the numerical index, refer to the page beginning with C1 at the end of this parts catalogue.
5. Some illustration may have some difference from the shape of real part when the illustration Shows a representation of various parts.
6. The parts and part numbers are subject to change without prior notice.

SAMPLE OF PARTS CATALOGUE

Group number

Group name

07-00-01 CRANKCASE

Model type

When these column is blank, it is applicable from serial No. shown on cover and up.

Not applicable to the model of this column.

REF. -NO.	PART NO.	R / P	S E N G	PART NAME & DESCRIPTION	MODEL&QTY					APPLICABLE SERIAL NO.		M / R D
					Y16 SD	Y26 2SD	Y36 2SD	Y46 2SD	Z5 SD	FROM @	- @ UPT	
1	32507-70010			CRANKCASE ASSY	1	1	1	1	1			
1 01	F2846-14000			PIN,DOWEL	1	1	1	1	1			A
1 02	32507-01400			WASHER	1	1	1	1	1			A
1 03	*			CAP,MAIN BEARING	6	6	6	6	6			
1 04	*			CAP,MAIN BEARING	1	1	1	1	1			
1 05	*			CRANKCASE	1	1	1	1	1			
2	32507-02500	C		HANGER	1	1	1	1	1			
	32507-02700	N 1		HANGER	1	1	1	1	1	111286-	-111285	V
3	32507-04100	Q		SHIM	1	@111294		
	32507-04100	1		SHIM	1	1	1	1	1	111295@		
4	F1805-10025			BOLT,W/WASHER	8	8	8	8	8			A

See(8)-(a)Description Codes.

See(8)-(c)Specification Codes.

See(8)-(b)Description.

See(6)Change codes.

See(5)Sequence-of-change numbers.

See(2)Reference number.

See(4)Interchangeability codes.

Quantity per unit.

Applicable from serial No. indicated.

Applicable from 111295 (Scheduled)if suffixed with @ and sometimes differs from real serial No.

Applicable up to serial No. indicated.

High-demand part. See(11).

Part newly changed or added. See (12).

Applicable up to 111294 (Scheduled)if prefixed with @ and sometimes differs from real serial No.

NOTE: Some of model designations, number of variations and serial numbers, indicated above, are quoted from other parts catalogues. Read these items of information as those for this parts catalogue.

NOTE: For the description of each item, refer to the pages which follow.

HOW TO USE THIS PARTS CATALOGUE

(to be referred to together with the former SAMPLE OF PARTS CATALOGUE)

(1)
01-00-01 CYLINDER HEAD
(EXCEPT Y362SD)

- 3-

REF. -NO.	PART NO.	R / P	S E N	C Q G	PART NAME & DESCRIPTION	MODEL & QTY					APPLICABLE SERIAL NO.		M / R	V / D
						61S D	Y16 2SD	Y26 2SD	Y36 2SD	Z26 1SD	FROM@-	-@UPTO		
1	32C01-11040		C		HEAD ASSY, CYLINDER	1				
	32C01-11041	R	1	C	HEAD ASSY, CYLINDER	1	1	.	.	.				
	32C01-11042	R	2	C	HEAD ASSY, CYLINDER	1	1	.	.	.				
	32C01-11043	R	3	C	HEAD ASSY, CYLINDER	1	1	1	.	.				
	32C01-11044	R	4		HEAD ASSY, CYLINDER	1	1	1	.	1				V

The items (1) thru (12) are as described below:

(1) Compiling system

The systems of a unit are grouped according to their location in the unit. The groups, each identified by group number, are listed in the order by CONTENTS. Each group is preceded by an "exploded view" which clearly illustrates each part in its correct relation to the other parts in the illustration.

(2) Reference number

Abbreviated to "REF. No." this number is used to locate a part in the illustration. In cases that the reference number is of three to four digits, the first and second digits show the reference number of an assembly, and the last two digits show the numbers of its component parts.

(3) Part numbers

The part numbers shown in this parts catalogue are those assigned to genuine Mitsubishi parts.

NOTE: Parts with asterisk (*) are not supplied individually.

(4) Interchangeability codes

The interchangeability codes used in this parts catalogue are as follows:

PART NO.	Code (R/P)	DESCRIPTION
A(Old) B(New)	R	B(new part) and A(old part) are mutually interchangeable
A(Old) B(New)	1	A(Old part) is not supplied. B(new part) can be substituted for A(Old part).
A(Old) B(New)	3	B(new part) can be substituted for A(old part). [A(old part) cannot be substituted for B(new part).]
A(Old) B(New)	N	B(new part) and A(old part) are not interchangeable.
A(Old) B(New)	G	B(new part) can be substituted for A(old part) in combination with other part(s). (For the parts to be combined, refer to the listing beginning with the page E1 at the end of this parts catalogue.)

(5) Sequence-of-change numbers

The parts are changed for improved quality or performance. Their changes are indicated in sequence by numerals (1.2.3...).

Blank : Original

1 : 1st change

2 : 2nd change

3 : 3rd change

(6) Change codes

These codes indicate the reason or purpose of changes of the parts.

A : Added part (a part entered into service)

C : Change of part number

D : Deleted part (a part applicable up to the serial no. expressed in Serial No. column)

E : Added part except above reasons

Q : Change of quantity

(7) Part name

Abbreviations are sometimes used. For the abbreviations, refer to TABLE OF SYMBOLS & ABBREVIATIONS appeared in hide pages of this general information chapter.

NOTE: The location terms L.H (left hand) and R.H (right hand) are as these directions viewed from the flywheel side of an engine.

(8) Description & Abbreviation codes

(a) Description codes (expressed in the first part of Description column).

B/W : Assembled bolt (with washer)

KIT : Part supplied as a kit

STD : Standard part

OPT : Optional part

AR : Part used, as required or by selection or in adjust quantity for necessity

AFN : Semi-finished part

(b) The Description codes in above paragraph (a) are followed by supplementary explanation such as dimensions (thickness, length, etc.) ,manufacturer part number, manufacturer name, etc. as occasion demands.

NOTE: Unless otherwise indicated, the dimensions are shown in millimeter and the name of unit is abbreviated.

(Examples) Thickness: T=1.00 Length: L=1000

Width: W=1500 Height: H=500

(c) Specification codes

Each specification or type of model, and selective specifications of a unit are indicated by codes of three digits. For these codes, refer to LIST OF SPECIFICATION CODES appeared in hind pages of this general information chapter.

NOTE: Unless indicated by the specification codes, the parts may be used for the products of all specifications.

(Examples) A10: For diesel fuel

B10: With industrial electric starter

(d) The parts indicated as "NOT SHOWN", such as component parts of overhaul gasket kit, are not shown in the illustration.

(9) Model & quantity

- (a) Model : Model, type, specification, destination, etc. of product to which a parts catalogue applies are indicated in the title column of each variation.
- (b) Quantity :Quantity of part or assembly, and its component parts required for one unit of product is indicated.

NOTE : In case "AR" appears in QTY column, it is required to adjust quantity for use.

(10) Applicable serial numbers

Applicable serial numbers of engine are indicated in the "UPTO" or "FROM" column. Serial numbers with "@" are scheduled ones and sometimes differ from the real serial numbers. If the "FROM " column is blank, the part is applicable to serial number shown on this cover and up.

(11) Management rank

The parts ranked as "A" are high-demand parts. This ranking is to be referred to by dealers, and is devised to facilitate and rationalize their distribution, stocking and inventory of the parts.

(12) The parts changed or added after the last parts list that has been published are identified by "V."

TABLE OF SYMBOLS & ABBREVIATIONS

SYMBOL	DESCRIPTION	SYMBOL	DESCRIPTION
ACCEL	ACCELERATOR	ELEC	ELECTRIC
ADJ	ADJUSTING (ADJUSTABLE)	ENG	ENGINE
AIR-CON	AIR-CONDITIONER	EQUIP	EQUIPMENT
ASSY	ASSEMBLY	EXH	EXHAUST
ATT	ATTACHMENT	E/TNK	EXPANSION TANK
AUTO	AUTOMATIC	FITT	FITTING
AUX	AUXILIARY	FLEX	FLEXIBLE
AR	AS REQUIRED	FR	FRONT
B/H	BACKHOE	GSKT	GASKET
BATT	BATTERY	GEN	GENERATOR
BRG	BEARING	GOV	GOVERNOR
B/PMP	BILGE PUMP	G/N	GROUP NUMBER
BRKT	BRACKET	H/EXCH	HEAT EXCHANGER
BUSH	BUSHING	HEX	HEXAGON
CARB	CARBURETOR	HYD	HYDRAULIC
C/L	CENTERLINE	H=	HEIGHT
COMPR	COMPRESSOR	IND	INDUSTRIAL
CON-ROD	CONNECTING-ROD	INJ	INJECTION
C/MBR	CROSS-MEMBER	INSTAL	INSTALLATION
CYL	CYLINDER	INST	INSTRUMENT
DIA	DIAMETER	INTLK	INTERLOCK
DIFF	DIFFERENTIAL	JUNC	JUNCTION
DISTR	DISTRIBUTOR	KD	KNOCKDOWN
DR	DRIVE	L.H	LEFT HAND
D=	OUT DIAMETER	LUB	LUBRICATION
		L=	LENGTH

TABLE OF SYMBOLS & ABBREVIATIONS

SYMBOL	DESCRIPTION	SYMBOL	DESCRIPTION
MANF	MANIFOLD	STD	STANDARD
MAX	MAXIMUM	SUPT	SUPPORT
M.L.H	MAXIMUM LIFTING HEIGHT	SYM	SYMBOL
MIN	MINIMUM	SYNCH	SYNCHRONIZER
MTR	MOTOR	SYS	SYSTEM
MTG	MOUNTING	TEMP	TEMPERATURE
NO.	NUMBER	TERM	TERMINAL
OPT	OPTION	T/CONV	TORQUE-CONVERTER
O/D	OVER DRIVE	T/F	TRANSFER
O.S	OVERSIZE	T/M	TRANSMISSION
PTO	POWER TAKE-OFF	T/HSG	TURBINE-HOUSING
P/S	POWER STEERING	T/C	TURBOCHARGER
PRESS	PRESSURE	T=	THICKNESS
P/N	PART NUMBER	U/BODY	UNDERBODY
QTY	QUANTITY	U.S	UNDERSIZE
RAD	RADIATOR	UNIV	UNIVERSAL
RE	REAR	VAC	VACUUM
REG	REGULATOR	VENT	VENTILATOR
REV	REVERSE	W/STRIP	WEATHERSTRIP
R.H	RIGHT HAND	W/	WITH
REF.NO.	REFERENCE	W/O	WITHOUT
R/N	REFERENCE	W/W	WOODWARD
S/PMP	SEA WATER PUMP	W/PMP	WATER PUMP
SECT	SECTION	W=	WIDTH
S/MBR	SIDEMEMBER	Z=	NUMBER OF GEAR TEETH

TABLE OF SYMBOLS & ABBREVIATIONS

SYMBOL	DESCRIPTION	SYMBOL	DESCRIPTION
1ST	FIRST		
2ND	SECOND		
3RD	THIRD		
4TH	FOURTH		
5TH	FIFTH		
&	AND		
@	UNCONFIRMED		
*	PART NOT TO BE SUPPLIED		

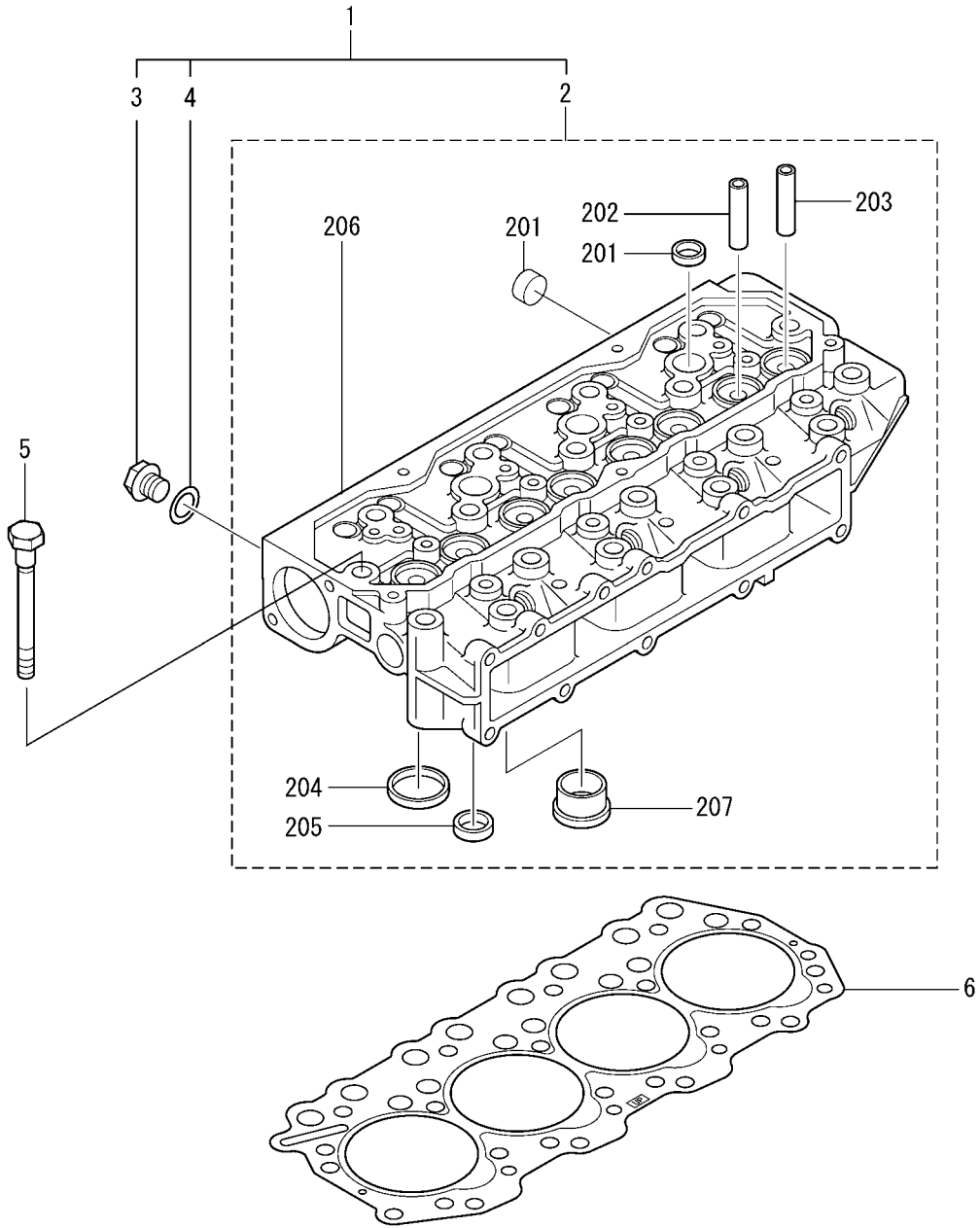
CONTENTS

GROUP NO .	GROUP NAME	PAGE
ENGINE BODY		
01-00-01	CYLINDER HEAD (EXCEPT Y362SD)	2
01-00-02	CYLINDER HEAD (FOR Y362SD)	4
01-02	LIFTING EYE	6
04-00-01	VALVE MECHANISM (UP TO E/# @024715)	8
04-00-02	VALVE MECHANISM (FROM E/# 024716@)	10
04-02	ROCKER COVER	12
05	CAMSHAFT	14
07	CRANKCASE	16
09	MAIN BEARING	18
11	TIMING GEAR CASE	20
12	FLYWHEEL HOUSING	22
13	OIL PAN	24
17-00-01	PISTON (EXCEPT Y362SD)	26
17-00-02	PISTON (FOR Y362SD)	28
19	CONNECTING ROD	30
20	CRANKSHAFT	32
20-02	CRANK PULLEY	34
21	FLYWHEEL	36
23	TIMING GEAR	38
27	TACHO DRIVE COVER	40
INLET & EXHAUST SYSTEM		
30	INLET SYSTEM	42
32	EXHAUST SYSTEM	44
OIL SYSTEM		
35	OIL PUMP & STRAINER	46
36	OIL SYSTEM	48
40	OIL FILTER	50

GROUP NO .	GROUP NAME	PAGE
43	BREATHER	52
COOLING SYSTEM		
45	WATER PUMP	54
45-02	WATER PUMP PULLEY	56
46	COOLING SYSTEM	58
47-00-01	RADIATOR (EXCEPT Y362SD)	60
47-00-02	RADIATOR (FOR Y362SD)	62
48	FAN	64
48-05	SPACER	66
49	V-BELT	68
FUEL SYSTEM		
61-00-01	FUEL SYSTEM	70
61-00-02	NOZZLE	72
62	FUEL FILTER	74
65-01-01	FUEL INJECTION PUMP	76
65-01-02	INJECTION PUMP	78
65-01-03	INJECTION PUMP	80
65-01-04	GOVERNOR (FOR 61SD,Z261SD)	84
65-01-05	GOVERNOR (FOR Y162SD, Y262SD,Y362SD)	88
65-01-06	FEED PUMP	92
STARTING SYSTEM		
66	STARTER (12V-2.0KW)	94
66-02	GLOW PLUG	96
68-00-01	ALTERNATOR	98
68-00-02	ALTERNATOR (12V-50A)	100
CONTROL SYSTEM		
87-05	CONTROL SYSTEM	102
INSTRUMENT		
90	INSTRUMENT	104

GROUP NO .	GROUP NAME	PAGE
ACCESSORY		
92	ACCESSORY	106
REPAIR PARTS		
94	OVERHAUL GASKET KIT	108
	NUMERICAL PARTS INDEX	C1
	TABLE OF BOLT,W/WASHER.....	D1
	TABLE OF COMBINATION FOR REPLACEABILITY	E1

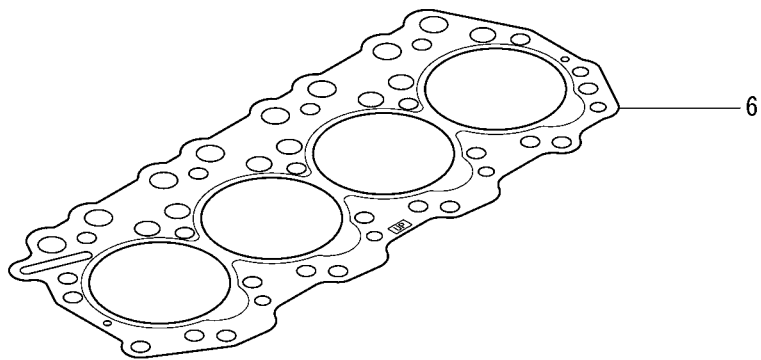
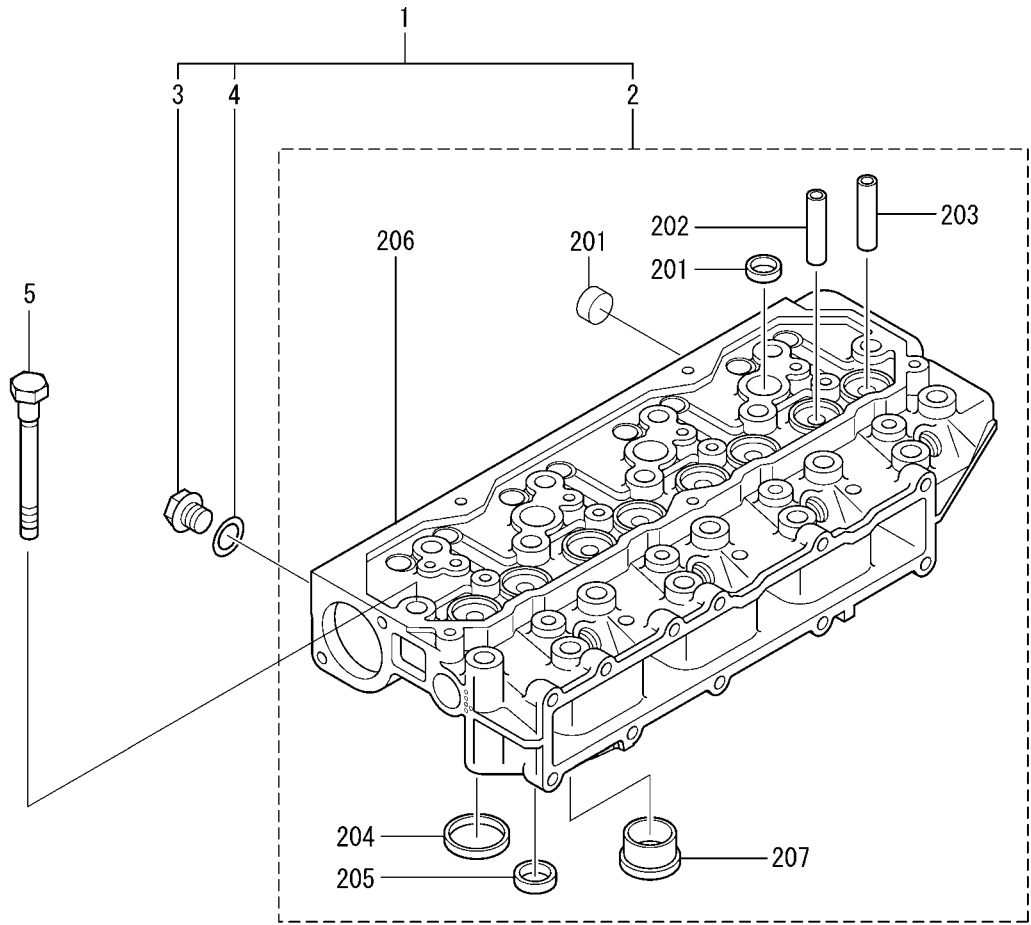
01-00-01 CYLINDER HEAD
(EXCEPT Y362SD)



01-00-01 CYLINDER HEAD
(EXCEPT Y362SD)

REF. -NO.	PART NO.	R / P	S E N G	PART NAME & DESCRIPTION	MODEL & QTY					APPLICABLE SERIAL NO.		M / R	V R D
					61S	Y16	Y26	Y36	Z26	FROM@-	-@UPTO		
					D	2SD	2SD	2SD	1SD				
1	32C01-11040 32C01-11041 32C01-11042 32C01-11043 32C01-11044	R	1 1 2 3 4	C C C C C	HEAD ASSY,CYLINDER HEAD ASSY,CYLINDER HEAD ASSY,CYLINDER HEAD ASSY,CYLINDER HEAD ASSY,CYLINDER	1 1 1 1 1	• 1 1 1 1	• • • • 1	• • • • •				
2 2 01 2 02	32C01-11045 * * 04826-22500 32A01-01600	R	5 C 1	C C	HEAD ASSY,CYLINDER HEAD SUB ASSY,CYL CAP, SEALING CAP, SEALING GUIDE, INLET VALVE	1 1 7 7 4	1 1 • 7 4	1 1 • 7 4	• • • • •				V
2 03 2 04 2 05 2 06	32C01-01600 32C01-14100 32C01-14101 32C01-04200 *	R	1	C	GUIDE, EXHAUST VALVE SEAT, INLET VALVE SEAT, INLET VALVE SEAT, EXHAUST VALVE CYLINDER HEAD	4 4 4 4 1	4 4 4 4 1	4 4 4 4 1	• • • • •				
2 07 3 4 5 6	32C03-01400 MM316248 30636-25901 32C01-02500 32C01-12100			C	JET, COMBUSTION PLUG, DRAIN GASKET BOLT, CYLINDER HEAD GASKET, CYLINDER HEAD	4 1 1 18 1	4 1 1 18 1	4 1 1 18 1	• • • • •				A A A
	32C01-12101	R	1		GASKET, CYLINDER HEAD	1	1	1	•				A

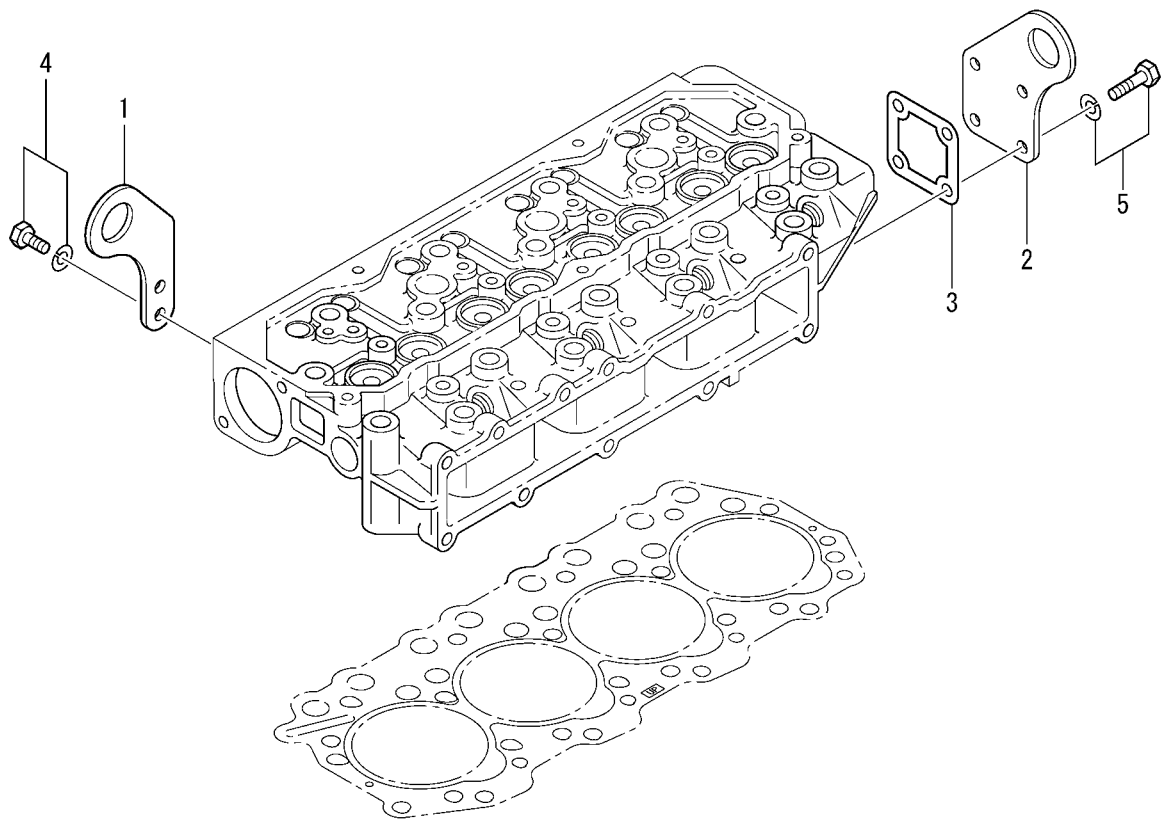
01-00-02 CYLINDER HEAD
(FOR Y362SD)



01-00-02 CYLINDER HEAD
(FOR Y362SD)

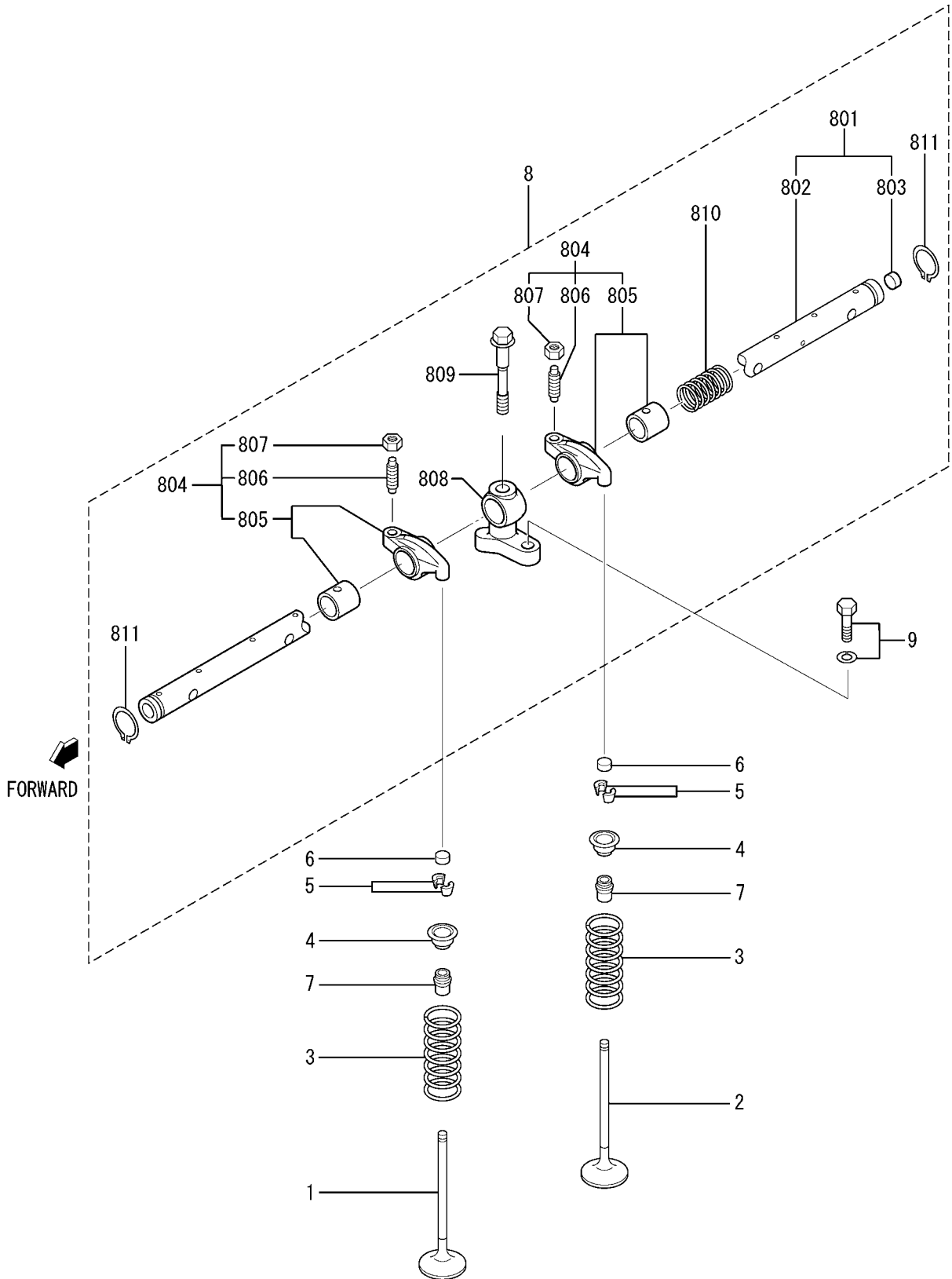
REF. -NO.	PART NO.	R / P	S E N G	PART NAME & DESCRIPTION	MODEL & QTY					APPLICABLE SERIAL NO.		M / R	V R D
					61S	Y16	Y26	Y36	Z26	FROM@-	-@UPTO		
					D	2SD	2SD	2SD	1SD				
1	32C01-01090	R	1	C HEAD ASSY,CYLINDER	.	.	.	1	.	070422-		V	
2	32C01-01091			HEAD ASSY,CYLINDER	.	.	.	1	.	070422-			
2	*			HEAD SUB ASSY,CYL	.	.	.	1	.				
2 01	04826-22500			A CAP, SEALING	.	.	.	7	.	070422-			
2 02	32A01-01600			A GUIDE, INLET VALVE	.	.	.	4	.	070422-			
2 03	32C01-01600			A GUIDE, EXHAUST VALVE	.	.	.	4	.	070422-			
2 04	32C01-14101			A SEAT, INLET VALVE	.	.	.	4	.	070422-			
2 05	32C01-04200			A SEAT, EXHAUST VALVE	.	.	.	4	.	070422-			
2 06	*			CYLINDER HEAD	.	.	.	1	.				
2 07	32C03-01700			A JET, COMBUSTION	.	.	.	4	.	070422-			
3	MM316248			A PLUG, DRAIN	.	.	.	1	.	070422-		A	
4	30636-25901			A GASKET	.	.	.	1	.	070422-		A	
5	32C01-02500			A BOLT, CYLINDER HEAD	.	.	.	18	.	070422-			
6	32C01-12101			A GASKET, CYLINDER HEAD	.	.	.	1	.	070422-		A	

01-02 LIFTING EYE



REF. -NO.	PART NO.	R / P	S E N G Q	PART NAME & DESCRIPTION	MODEL & QTY					APPLICABLE SERIAL NO.		M / R	V R D	
					61S	Y16	Y26	Y36	Z26	FROM@-	-@UPTO			
					D	2SD	2SD	2SD	1SD					
1	32C01-03300	R	1	C EYE, LIFTING FRONT	1	1	.	.	.					
2	32C01-03301				EYE, LIFTING FRONT	1	1	1	1	1				
3	32C01-03400				EYE, LIFTING REAR	1	1	1	1	1				
4	32C01-03100				GASKET, CYLINDER HEAD	1	1	1	1	1				A
4	MF241251				BOLT, W/WASHER	2	2	2	2	2				A
5	MF241253			BOLT, W/WASHER	4	4	4	4	4				A	

04-00-01 VALVE MECHANISM
(UP TO E/# @024715)



REF. NO. 5 COMES IN PAIRS.

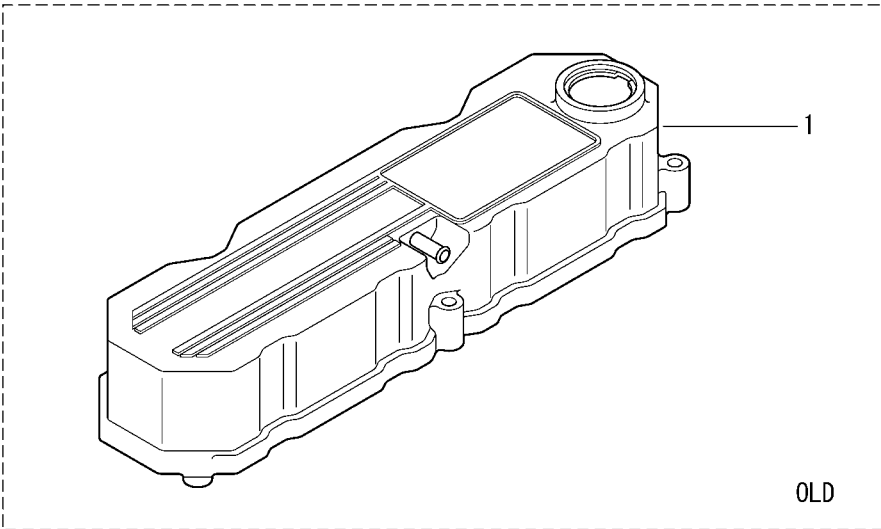
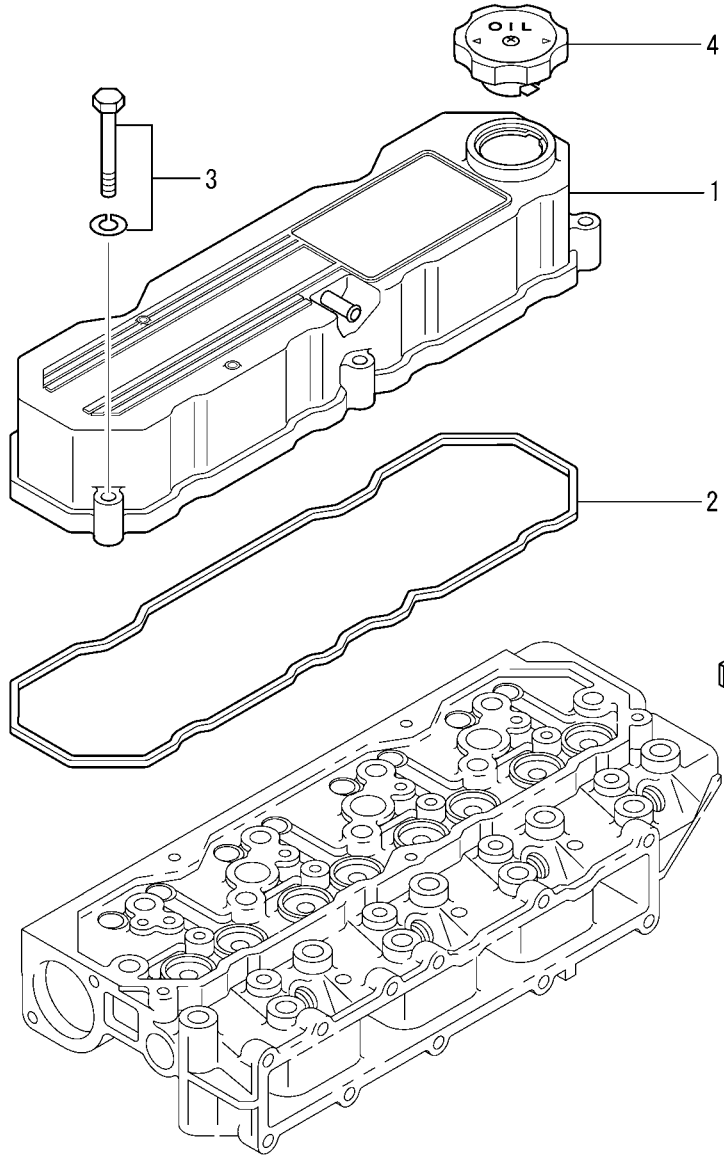
04-00-01 VALVE MECHANISM
(UP TO E/# @024715)

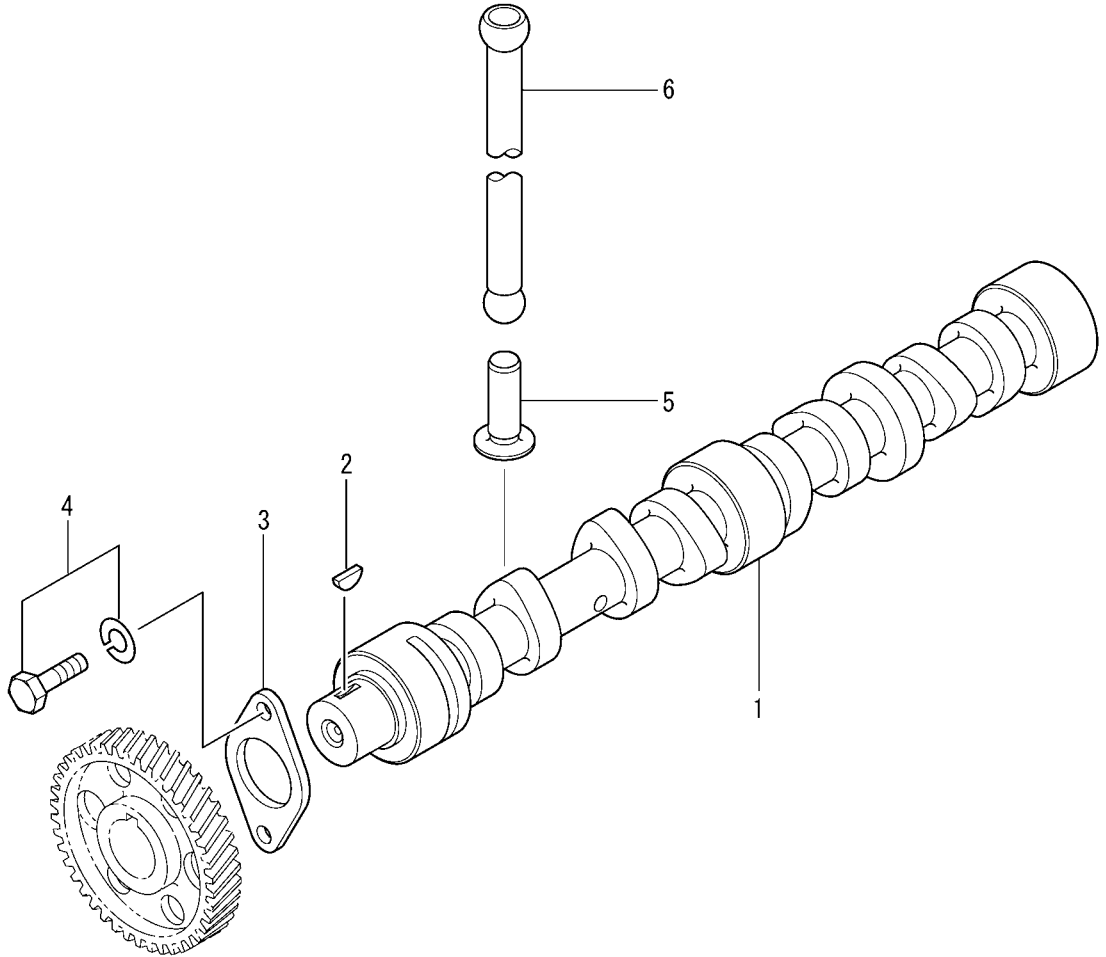
REF. -NO.	PART NO.	R / P	S E Q G	PART NAME & DESCRIPTION	MODEL & QTY					APPLICABLE SERIAL NO.		M / R	V R D
					61S	Y16	Y26	Y36	Z26	FROM@-	-@UPTO		
					D	2SD	2SD	2SD	1SD				
1	32C04-00100			D VALVE, INLET	4	4	.	.	.		@024715		
2	32C04-01100			D VALVE, EXHAUST	4	4	.	.	.		@024715		
3	30604-21401			C SPRING, VALVE	8	8	.	.	.		@024715	A	
4	30604-21402	R	1	D SPRING, VALVE	8	8	.	.	.		@024715	A	
4	30604-31601			D RETAINER, UPPER	8	8	.	.	.		@024715		
5	34404-02901			D COTTER, VALVE	16	16	.	.	.		@024715	A	
6	31304-11700			D CAP	8	8	.	.	.		@024715		
7	32C04-06500			D SEAL, VALVE STEM	8	8	.	.	.		@024715		
8	32C04-00022			D ROCKER & SHAFT ASSY	1	1	.	.	.		@024715		
8 01	*			SHAFT ASSY, ROCKER	1	1	.	.	.				
8 02	*			SHAFT, ROCKER	1	1	.	.	.				
8 03	32A04-04200			D PLUG, ROCKER SHAFT	2	2	.	.	.		@024715	A	
8 04	*			ROCKER ASSY	8	8	.	.	.				
8 05	*			ROCKER & BUSHING	8	8	.	.	.				
8 06	32A04-02400			C SCREW, ROCKER	8	8	.	.	.		@024715	A	
8 07	32A04-02401	R	1	D SCREW, ROCKER	8	8	.	.	.		@024715	A	
8 07	F2325-08000			D NUT, JAM	8	8	.	.	.		@024715	A	
8 08	32C04-14602			D BRACKET, ROCKER	4	4	.	.	.		@024715		
8 09	32C04-06100			D BOLT, ROCKER BRACKET	4	4	.	.	.		@024715	A	
8 10	32C04-04500			D SPRING, ROCKER	3	3	.	.	.		@024715	A	
8 11	32A04-04300			D RING, SNAP	2	2	.	.	.		@024715	A	
9	MF241255			D BOLT, W/WASHER	4	4	.	.	.		@024715	A	

04-00-02 VALVE MECHANISM
(FROM E/# 024716@)

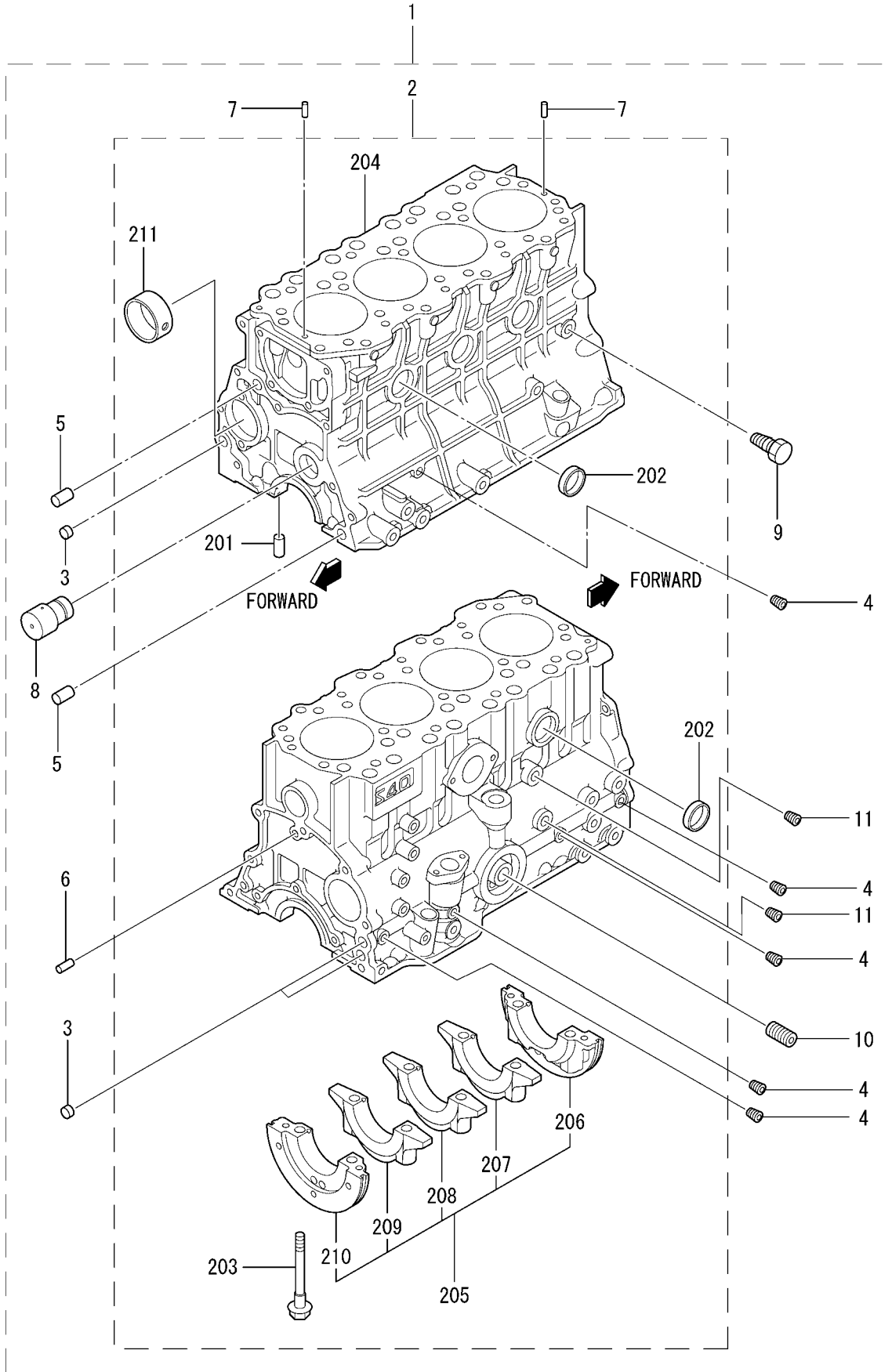
REF. -NO.	PART NO.	R / P	S E Q	C N G	PART NAME & DESCRIPTION	MODEL & QTY					APPLICABLE SERIAL NO.		M / R	V R D
						61S	Y16	Y26	Y36	Z26	FROM@-	-@UPTO		
						D	2SD	2SD	2SD	1SD				
1	32C04-00100			C	VALVE, INLET	4	4	•	•	•	024716@	@027896		
2	32C04-10100	3	1	C	VALVE, INLET	4	4	4	4	4	024716@			
	32C04-01100			C	VALVE, EXHAUST	4	4	•	•	•	024716@	@027896		
	32C04-11100	3	1	C	VALVE, EXHAUST	4	4	4	4	4	024716@			
3	30604-21401			C	SPRING, VALVE	8	8	•	•	•	024716@			A
4	30604-21402	R	1		SPRING, VALVE	8	8	8	8	8	024716@			A
	30604-31601			A	RETAINER, UPPER	8	8	8	8	8	024716@			
5	34404-02901			A	COTTER, VALVE	16	16	16	16	16	024716@			A
6	31304-11700			A	CAP	8	8	8	8	8	024716@			
7	32C04-06500			C	SEAL, VALVE STEM	8	8	•	•	•	024716@	@027150		A
8	32C04-16500	3	1		SEAL, VALVE STEM	8	8	8	8	8	024716@			A
	*				ROCKER & SHAFT ASSY	1	1	1	1	1				
8 01	32C04-21010			A	SHAFT ASSY, ROCKER	1	1	1	1	1	024716@			
8 02	*				SHAFT, ROCKER	1	1	1	1	1				
8 03	04826-21200			A	CAP, SEALING	2	2	2	2	2	024716@			A
8 04	32C04-22010			A	ROCKER ASSY	8	8	8	8	8	024716@			
8 05	*				ROCKER & BUSHING	8	8	8	8	8				
8 06	32A04-02400			C	SCREW, ROCKER	8	8	•	•	•	024716@			A
	32A04-02401	R	1		SCREW, ROCKER	8	8	8	8	8	024716@			A
8 07	F2325-08000			A	NUT, JAM	8	8	8	8	8	024716@			A
8 08	32C04-34600			A	BRACKET, ROCKER	4	4	4	4	4	024716@			
8 09	32C04-06100			C	BOLT, ROCKER BRACKET	4	4	4	•	•	024716@	@031571		A
	32C04-06101	3	1		BOLT, ROCKER BRACKET	4	4	4	4	4	024716@			A
8 10	32C04-04501			A	SPRING, ROCKER	3	3	3	3	3	024716@			A
8 11	MF522010			A	RING, SNAP	2	2	2	2	2	024716@			A
8 12	MF241255			A	BOLT, W/WASHER	4	4	4	4	4	025999-			A
9	MF241255			D	BOLT, W/WASHER	4	4	4	4	4	024716@	-025998		A

04-02 ROCKER COVER



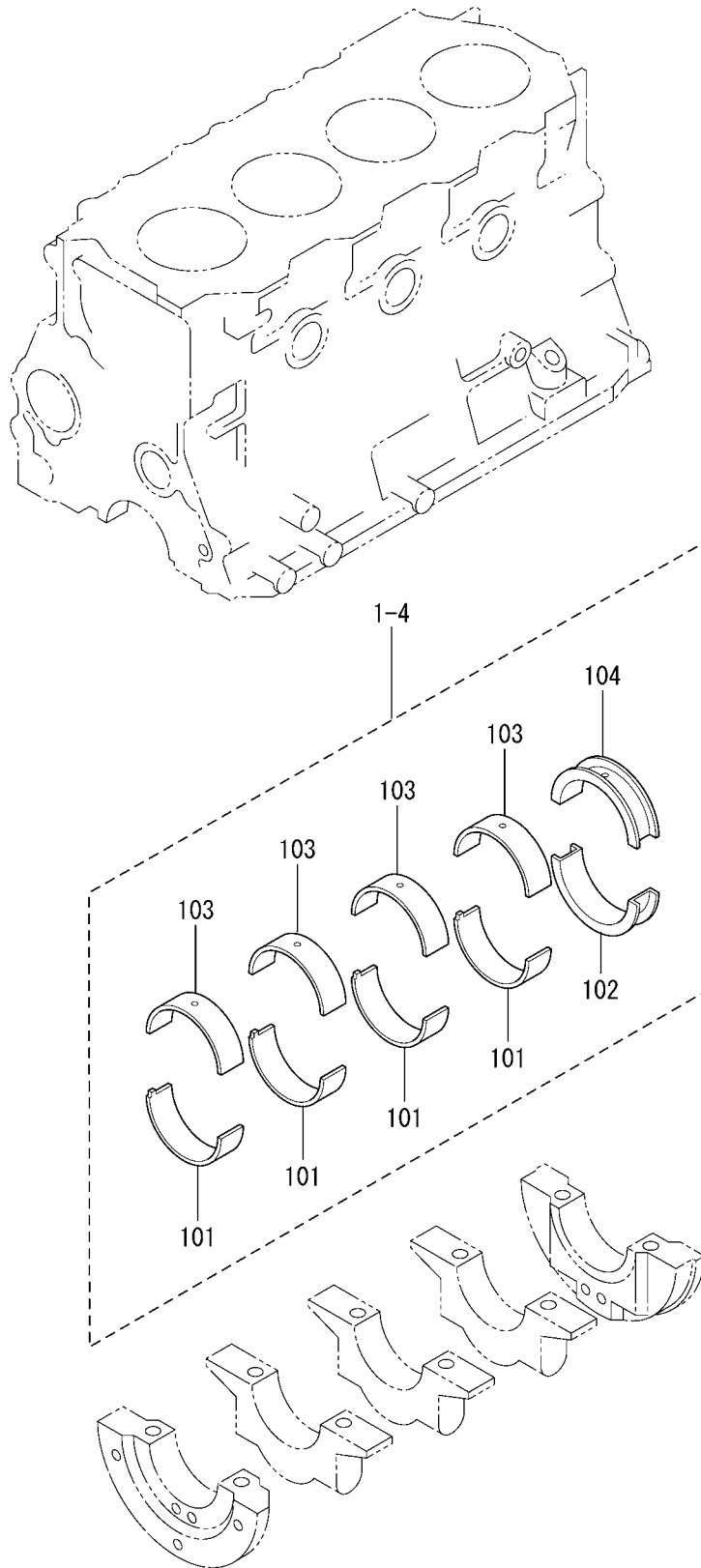


REF. -NO.	PART NO.	R / P	S E Q	C N G	PART NAME & DESCRIPTION	MODEL & QTY					APPLICABLE SERIAL NO.		M / R	V R D
						61S	Y16	Y26	Y36	Z26	FROM@-	-@UPTO		
						D	2SD	2SD	2SD	1SD				
1	32C05-10100			C	CAMSHAFT	1	1	.	.	.				
2	32C05-10101	R	1		CAMSHAFT	1	1	1	1	1				
3	F2870-07022				KEY ,WOODRUFF	1	1	1	1	1				
3	30405-31402			C	PLATE ,THRUST	1	1	.	.	.				
3	30405-31403	R	1		PLATE ,THRUST	1	1	1	1	1				
4	MF240051				BOLT ,W/WASHER	2	2	2	2	2				A
5	32A05-02101				TAPPET	8	8	8	8	8				
6	32A05-13100				ROD , PUSH	8	8	8	8	8				

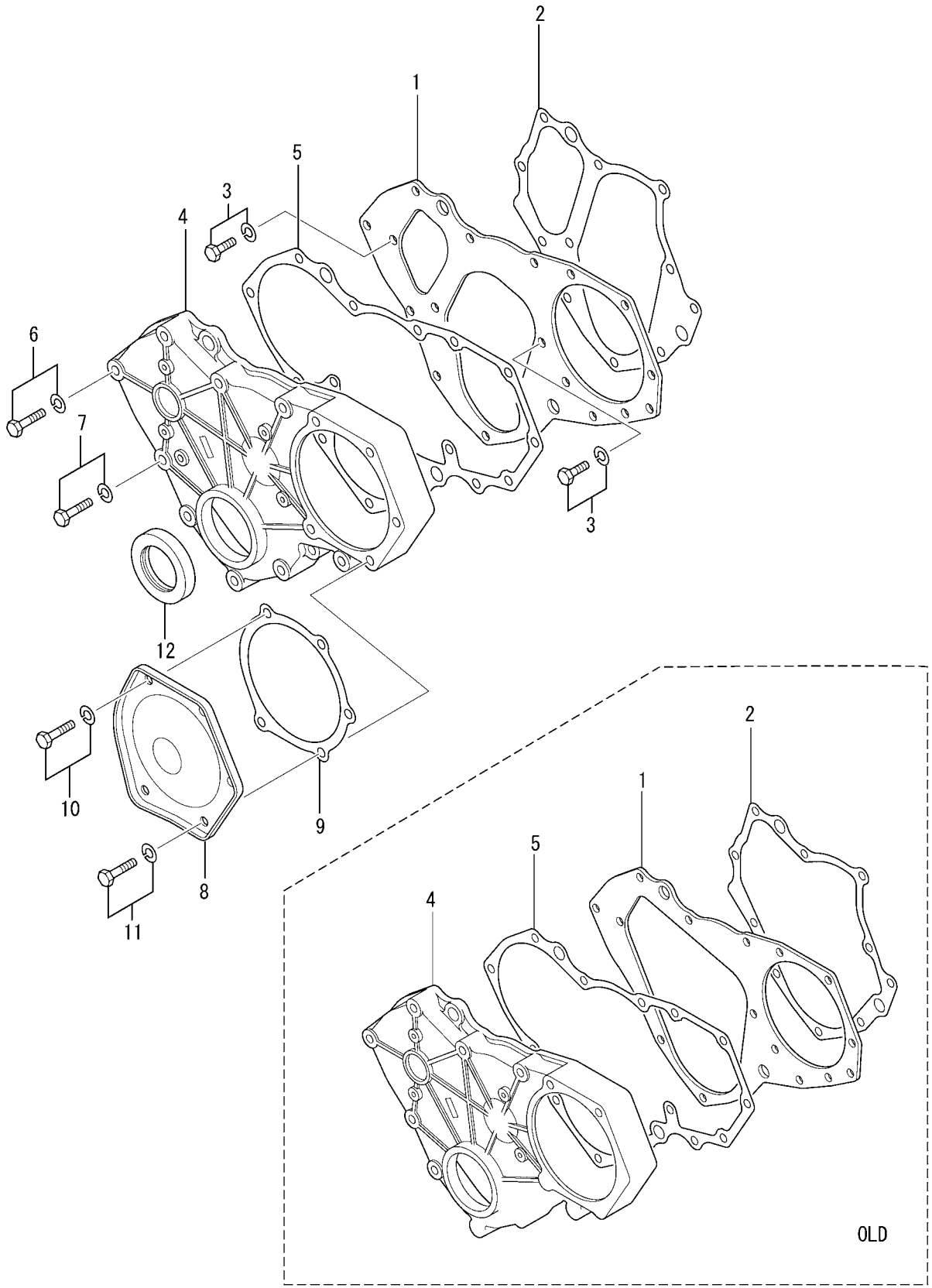


REF. -NO.	PART NO.	R / P	S E Q	C N G	PART NAME & DESCRIPTION	MODEL & QTY					APPLICABLE SERIAL NO.		M / R	V R D
						61S	Y16	Y26	Y36	Z26	FROM@-	-@UPTO		
						D	2SD	2SD	2SD	1SD				
1	32C07-11014			C	CRANKCASE ASSY	1	1	.	.	.				
	32C07-11015	R	1	C	CRANKCASE ASSY	1	1	1	.	.		@033819		
	32C07-11016	R	2	C	CRANKCASE ASSY	1	1	1	.	.		@033819		
	32C07-21022	3	3	C	CRANKCASE ASSY	1	1	1	.	.		@038296		
	32C07-21023	3	4	C	CRANKCASE ASSY	1	1	1	.	.		-061655		
	32C07-21024	R	5	C	CRANKCASE ASSY	1	1	1	.	1		-061655		
	32C07-31020	3	6	C	CRANKCASE ASSY	1	1	1	.	1				
	32C07-31021	R	7		CRANKCASE ASSY	1	1	1	1	1				
2	*				CRANKCASE SUB ASSY	1	1	1	1	1				
2 01	F2846-08000				PIN, DOWEL	4	4	4	4	4			A	
2 02	04826-23500				CAP, SEALING	6	6	6	6	6				
2 03	30607-52400				BOLT, BEARING CAP	10	10	10	10	10				
2 04	*				CRANKCASE	1	1	1	1	1				
2 05	*				CAP SET, BEARING	1	1	1	1	1				
2 06	*				CAP, BEARING NO. 1	1	1	1	1	1				
2 07	*				CAP, BEARING NO. 2	1	1	1	1	1				
2 08	*				CAP, BEARING NO. 3	1	1	1	1	1				
2 09	*				CAP, BEARING NO. 4	1	1	1	1	1				
2 10	*				CAP, BEARING NO. 5	1	1	1	1	1				
2 11	32C07-15501			A	BUSHING, CAMSHAFT	1	1	1	1	1	033820@			
3	04826-21600				CAP, SEALING	3	3	3	3	3				
4	MS661140				PLUG, TAPERED	5	5	5	5	5			A	
5	32A07-01500			C	PIN, DOWEL	2	2	.	.	.			A	
	32A07-01501	R	1		PIN, DOWEL	2	2	2	2	2			A	
6	F2846-08000				PIN, DOWEL	2	2	2	2	2			A	
7	F2846-05000				PIN, DOWEL	2	2	2	2	2			A	
8	32C23-03600				SHAFT, IDLER	1	1	1	1	1				
9	MD000269				PLUG, TAPERED	1	1	1	1	1			A	
10	*				SHAFT, OIL FILTER	1	1	1	1	1				
11	MS661142				PLUG, TAPERED	2	2	2	2	2			A	

MAIN BEARING

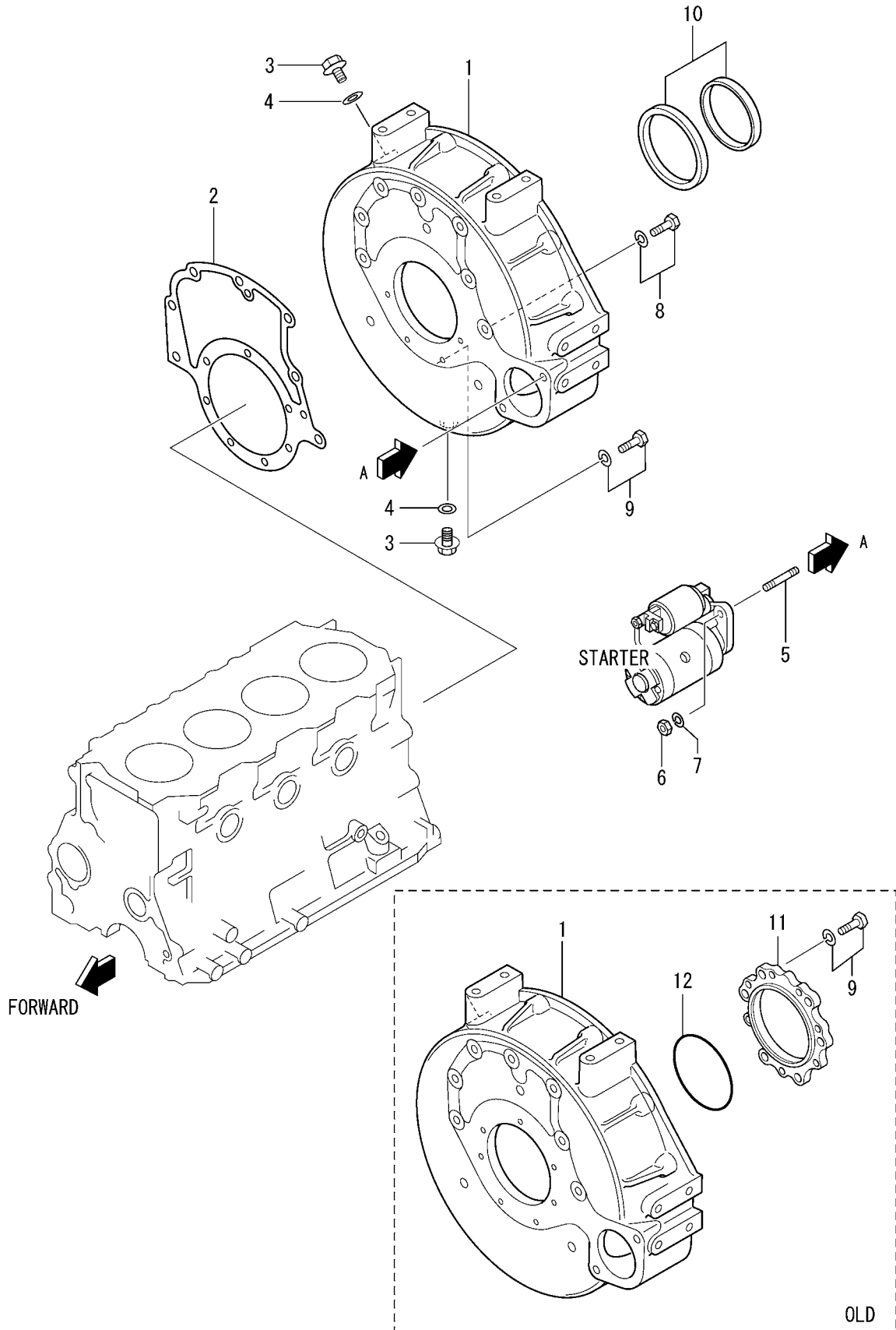


REF. -NO.	PART NO.	R / P	S E Q	C N G	PART NAME & DESCRIPTION		MODEL & QTY					APPLICABLE SERIAL NO.		M / R	V R D
							61S	Y16	Y26	Y36	Z26	FROM@-	-@UPTO		
							D	2SD	2SD	2SD	1SD				
1	32C09-01010	3	1	C	BEARING SET, MAIN	STD	1	1	•	•	•		@025998	A	
	32C09-02010				BEARING SET, MAIN	STD	1	1	1	1	1				
1 01	*				BEARING, MAIN LOWER		4	4	4	4	4				
1 02	*				BEARING, MAIN LOWER	REAR	1	1	1	1	1				
1 03	*				BEARING, MAIN UPPER		4	4	4	4	4				
1 04	*				BEARING, MAIN UPPER	REAR	1	1	1	1					
2	32C09-01020	3	1	C	BEARING SET, MAIN	U.S 0.25	1	1	•	•	•		@025998	A	
	32C09-02020				BEARING SET, MAIN	U.S 0.25	1	1	1	1	1				
3	32C09-01030				BEARING SET, MAIN	U.S 0.50	1	1	•	•	•				
	32C09-02030				BEARING SET, MAIN	U.S 0.50	1	1	1	1	1				
4	32C09-01040	3	1	C	BEARING SET, MAIN	U.S 0.75	1	1	•	•	•		@025998	A	
	32C09-02040				BEARING SET, MAIN	U.S 0.75	1	1	1	1	1				

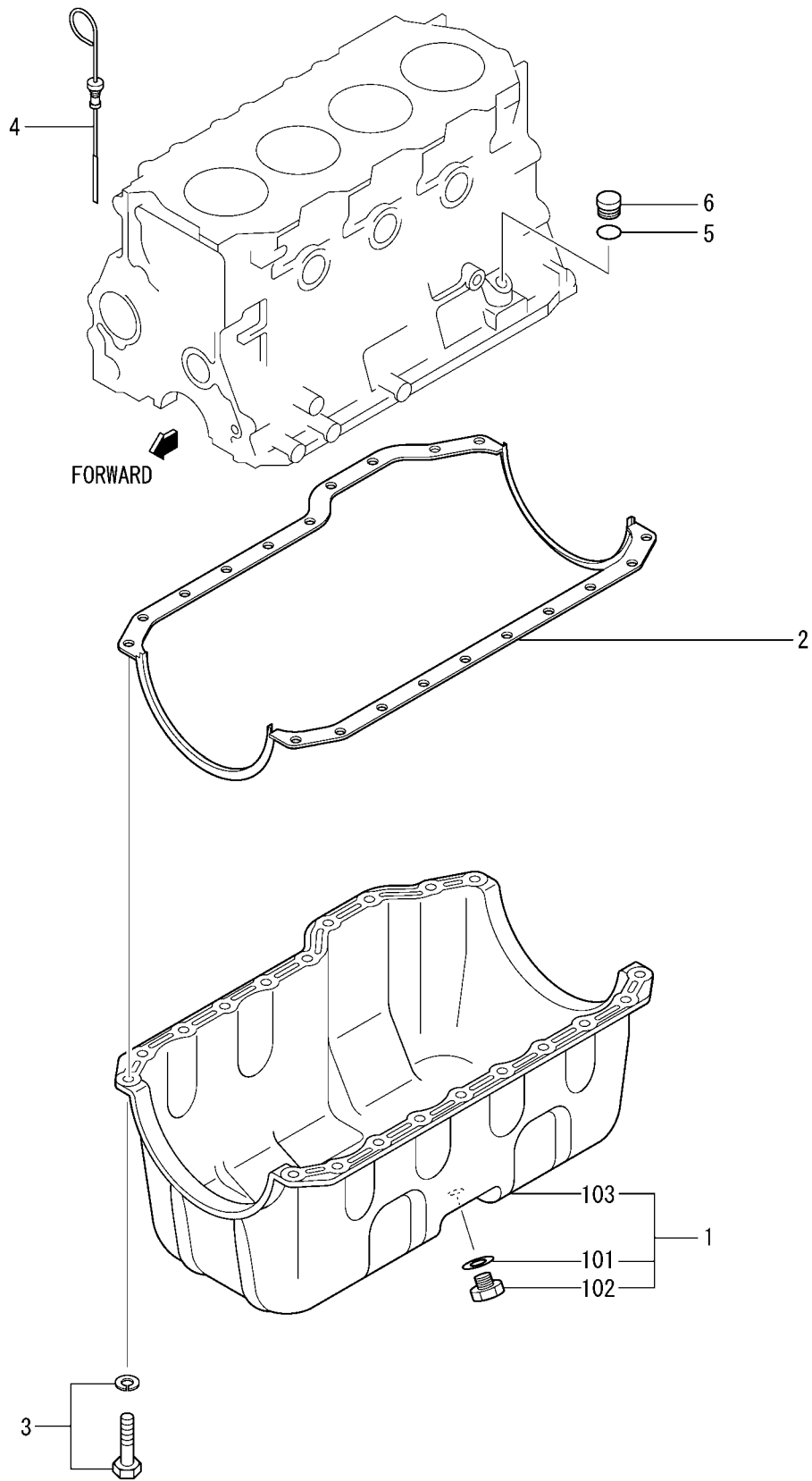


REF. -NO.	PART NO.	R / P	S E Q U E N C E	C N G	PART NAME & DESCRIPTION	MODEL & QTY					APPLICABLE SERIAL NO.		M / R	V R D
						61S	Y16	Y26	Y36	Z26	FROM@-	-@UPTO		
						D	2SD	2SD	2SD	1SD				
1	32C11-02100			C	PLATE, FRONT	1	1	1	•	•				
2	32C11-12100	3	1		PLATE, FRONT	1	1	1	1	1		-039443		
	32C11-03100			C	GASKET, FRONT PLATE	1	1	1	•	•		-039443	A	
	32C11-13100	3	1	C	GASKET, FRONT PLATE	1	1	1	•	1			A	
	32C11-13101	R	2		GASKET, FRONT PLATE	1	1	1	1	1			A	
3	MF240051				BOLT, W/WASHER	2	2	2	2	2			A	
4	32C11-00100			C	CASE, TIMING GEAR	1	1	1	•	•		-039443		
	32C11-10200	N	1		CASE, TIMING GEAR	1	1	1	1	1	039444-			
5	*			C	GASKET, GEAR CASE	1	1	1	•	•				
	32C11-11100	1	1	C	GASKET, GEAR CASE	1	1	1	•	1			A	
6	32C11-11101	R	2		GASKET, GEAR CASE	1	1	1	1	1			A	
	MF241261				BOLT, W/WASHER	1	1	1	1	1			A	
7	MF241263			Q	BOLT, W/WASHER	8	8	8	•	•		-039443	A	
	MF241263	1			BOLT, W/WASHER	9	9	9	9	9	039444-		A	
8	30611-23102			C	COVER, GEAR CASE	1	1	•	•	•				
9	30611-23103	R	1		COVER, GEAR CASE	1	1	1	1	1			A	
10	32C11-04100				GASKET, COVER	1	1	1	1	1			A	
	MF241265				BOLT, W/WASHER	4	4	4	4	4			A	
11	F1805-08055				BOLT, W/WASHER	1	1	1	1	1			A	
12	30611-31700				SEAL, OIL	1	1	1	1	1			A	

FLYWHEEL HOUSING

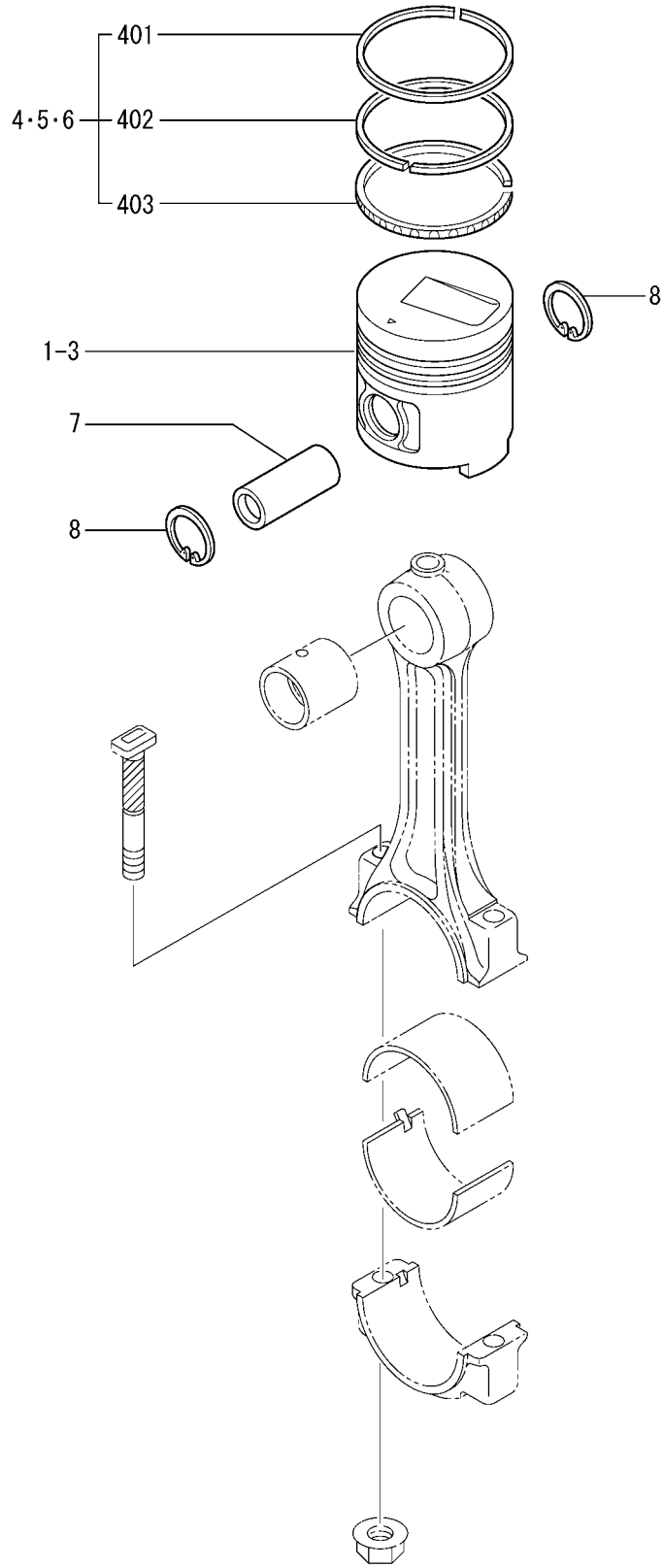


REF. -NO.	PART NO.	R / P	S E Q	C N G	PART NAME & DESCRIPTION	MODEL & QTY					APPLICABLE SERIAL NO.		M / R	V R D
						61S	Y16	Y26	Y36	Z26	FROM@-	-@UPTO		
						D	2SD	2SD	2SD	1SD				
1	32C12-10100			C	HOUSING, FLYWHEEL	1				
	32C12-20100	G	1	C	HOUSING, FLYWHEEL	1	1	.	.	.	024716- 024716- 024716-	-024715		
	32C12-20101	R	2	C	HOUSING, FLYWHEEL	1	1	.	.	.				
	32C12-20102	R	3		HOUSING, FLYWHEEL	1	1	1	1	1				
2	32C07-04200			C	GASKET, REAR	1	1	1	.	1				
	32C07-04201	R	1		GASKET, REAR	1	1	1	1	1			A	
3	MM316248				PLUG, DRAIN	2	2	2	2	2			A	
4	30636-25901				GASKET	2	2	2	2	2			A	
5	32A07-06900				STUD	2	2	2	2	2				
6	F2300-10000				NUT, LOCK	2	2	2	2	2				
7	F2515-10000				WASHER, SPRING	2	2	2	2	2			A	
8	MF241282				BOLT, W/WASHER	7	7	7	7	7			A	
9	MF241257			C	BOLT, W/WASHER	7	7	.	.	.	024716-	-024715	A	
	MF241256	N	1		BOLT, W/WASHER	4	4	4	4	4				
	34407-11090				SEAL ASSY, OIL	1	1	1	1	1				
10														
11	32A07-17101			D	CASE, REAR OIL SEAL	1			-024715	
12	06016-13120			D	O-RING	1			-024715	A



REF. -NO.	PART NO.	R / P	S E N G	PART NAME & DESCRIPTION	MODEL & QTY					APPLICABLE SERIAL NO.		M / R	V R D
					61S D	Y16 2SD	Y26 2SD	Y36 2SD	Z26 1SD	FROM@-	-@UPTO		
1	32C13-00010			PAN ASSY,OIL	1	1	1	1	1				
1 01	F4202-14000			GASKET	1	1	1	1	1			A	
1 02	30613-60600			PLUG,DRAIN	1	1	1	1	1			A	
1 03	*			PAN,OIL	1	1	1	1	1				
2	32C13-11100			GASKET,OIL PAN	1	1	1	1	1			A	
3	MF240051			BOLT,W/WASHER	20	20	20	20	20			A	
4	32C42-01300			GAGE,OIL LEVEL	1	1	1	1	1				
5	05507-10110			O-RING	1	1	1	1	1			A	
6	32C13-00900			PLUG	1	1	1	1	1			A	

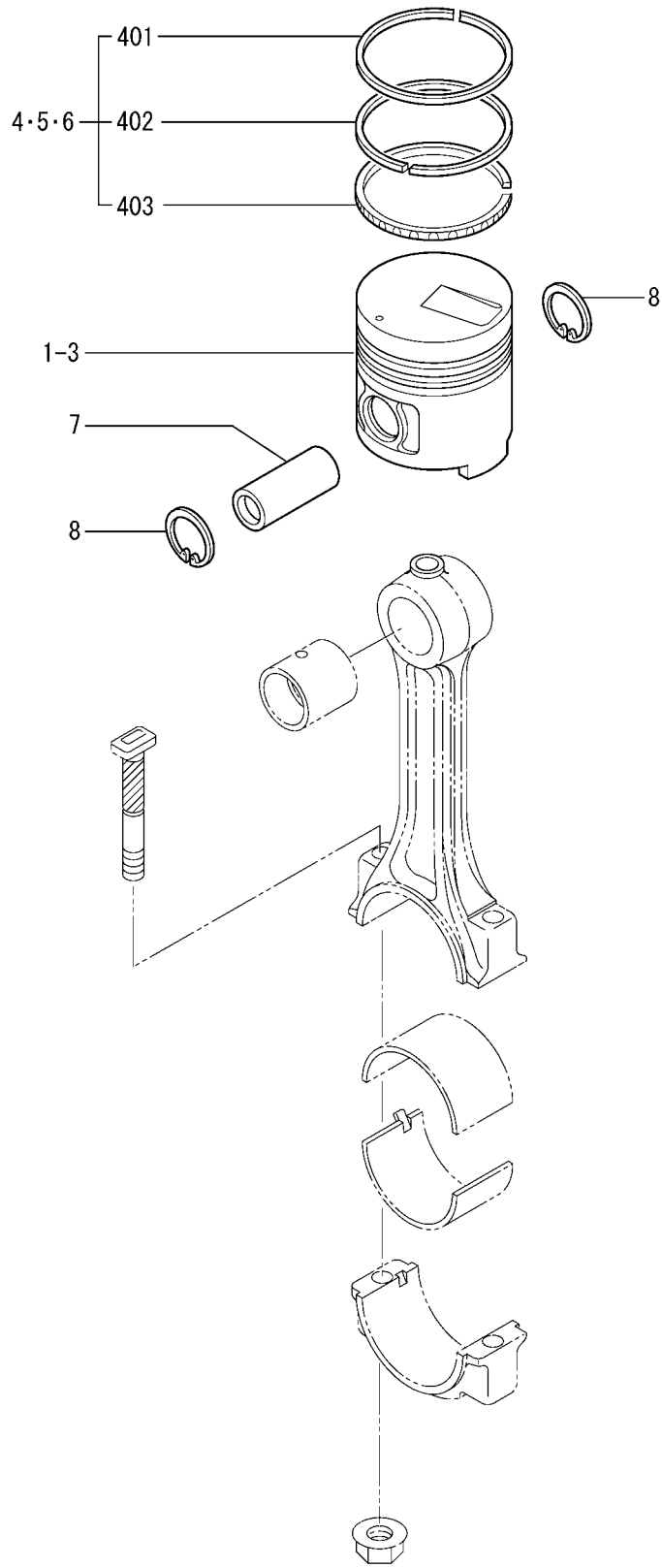
17-00-01 PISTON
(EXCEPT Y362SD)



17-00-01 PISTON
(EXCEPT Y362SD)

REF. -NO.	PART NO.	R / P	S E N G	PART NAME & DESCRIPTION		MODEL & QTY					APPLICABLE SERIAL NO.		M / R	V R D
						61S	Y16	Y26	Y36	Z26	FROM@-	-@UPTO		
						D	2SD	2SD	2SD	1SD				
1	32C17-05100		C	PISTON	STD	4	4	4	•	•			A	
	32C17-15100	3	1	PISTON	STD	4	4	4	•	4		-032790	A	
2	32C17-05200		C	PISTON	0.S 0.25	4	4	4	•	•		-032790	A	
	32C17-15200	3	1	PISTON	0.S 0.25	4	4	4	•	4			A	
3	32C17-05300		C	PISTON	0.S 0.50	4	4	4	•	•		-032790	A	
4	32C17-15300	3	1	PISTON	0.S 0.50	4	4	4	•	4			A	
4 01	30617-70011			RING SET,PISTON	STD	1	1	1	•	1			A	
4 02	*			RING,NO.1		4	4	4	•	4				
4 03	*			RING,NO.2		4	4	4	•	4				
	*			RING ASSY,OIL		4	4	4	•	4				
5	30617-71011			RING SET,PISTON	0.S 0.25	1	1	1	•	1			A	
6	30617-72011			RING SET,PISTON	0.S 0.50	1	1	1	•	1			A	
7	32C17-04100			PIN,PISTON		4	4	4	•	4			A	
8	F3202-02800			RING,SNAP		8	8	8	•	8			A	

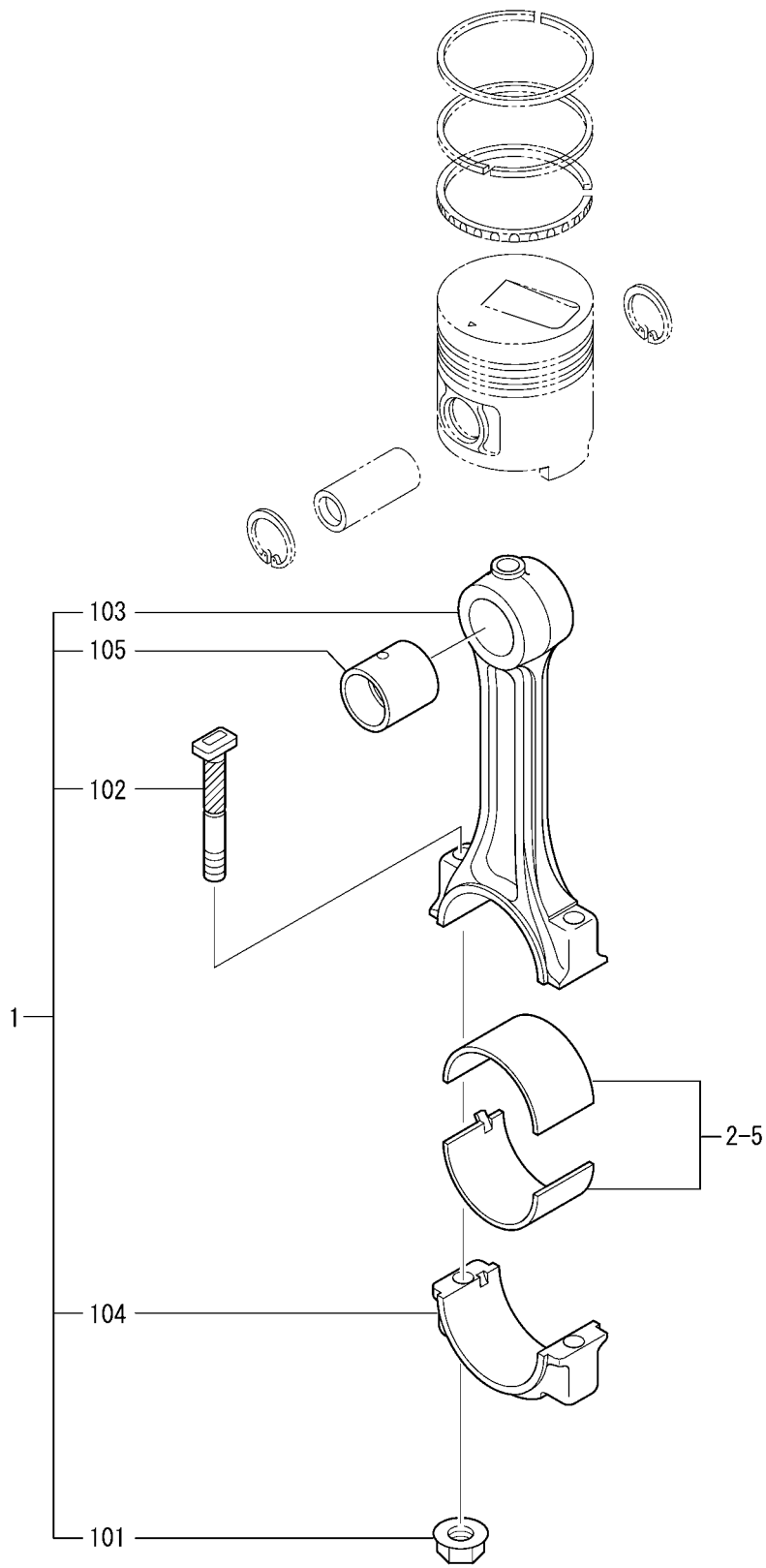
17-00-02 PISTON
(FOR Y362SD)



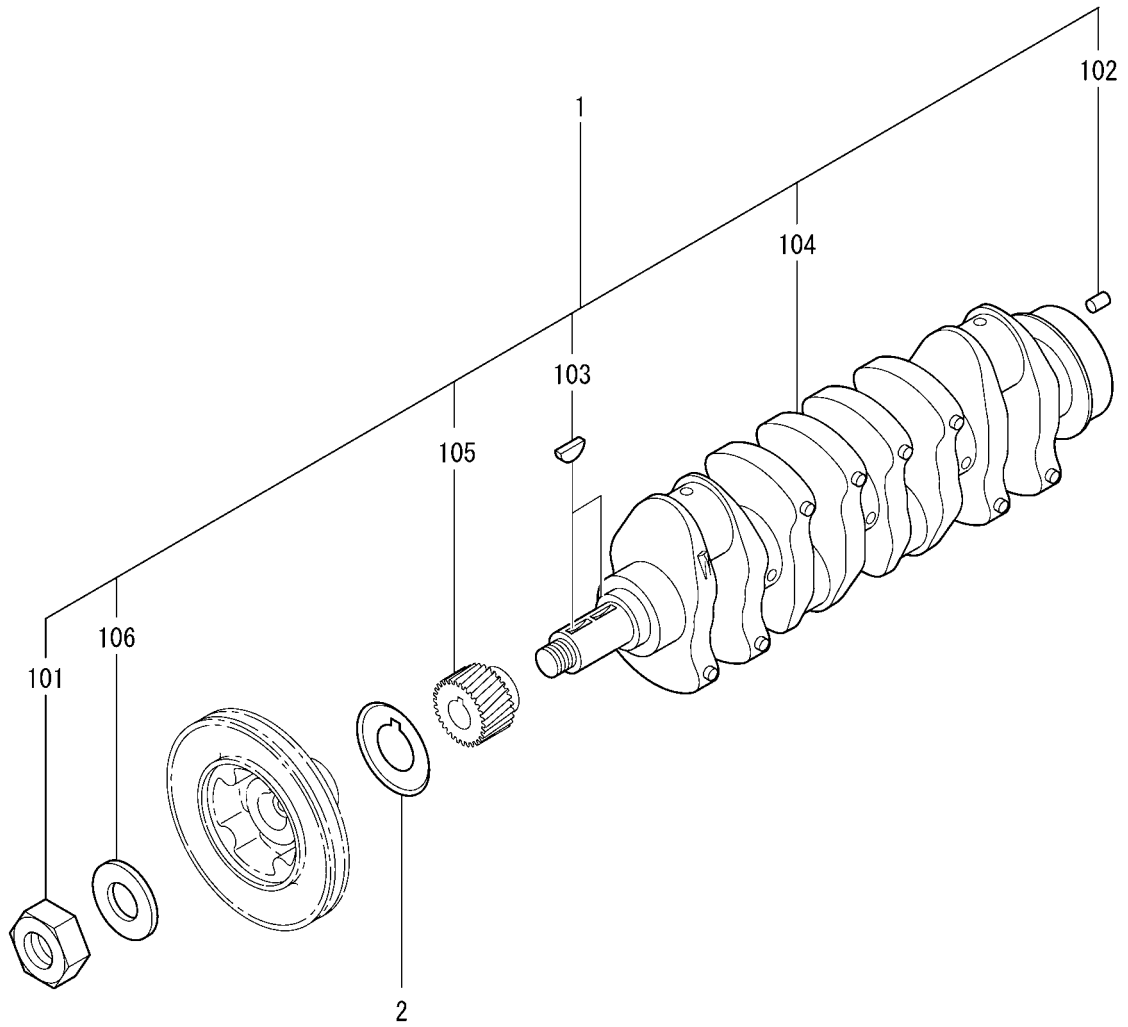
17-00-02 PISTON
(FOR Y362SD)

REF. -NO.	PART NO.	R / P	S E N G	PART NAME & DESCRIPTION	MODEL & QTY					APPLICABLE SERIAL NO.		M / R	V R D
					61S D	Y16 2SD	Y26 2SD	Y36 2SD	Z26 1SD	FROM@-	-@UPTO		
1	32C17-05400		A	PISTON	•	•	•	4	•	070422-		A	
2	32C17-05500		A	PISTON	•	•	•	4	•	070422-		A	
3	32C17-05600		A	PISTON	•	•	•	4	•	070422-		A	
4	30617-70011		A	RING SET,PISTON	•	•	•	1	•	070422-		A	
4 01	*			RING,NO.1	•	•	•	4	•				
4 02	*			RING,NO.2	•	•	•	4	•				
4 03	*			RING ASSY,OIL	•	•	•	4	•				
5	30617-71011		A	RING SET,PISTON	•	•	•	1	•	070422-		A	
6	30617-72011		A	RING SET,PISTON	•	•	•	1	•	070422-		A	
7	32C17-04100		A	PIN,PISTON	•	•	•	4	•	070422-		A	
8	F3202-02800		A	RING,SNAP	•	•	•	8	•	070422-		A	

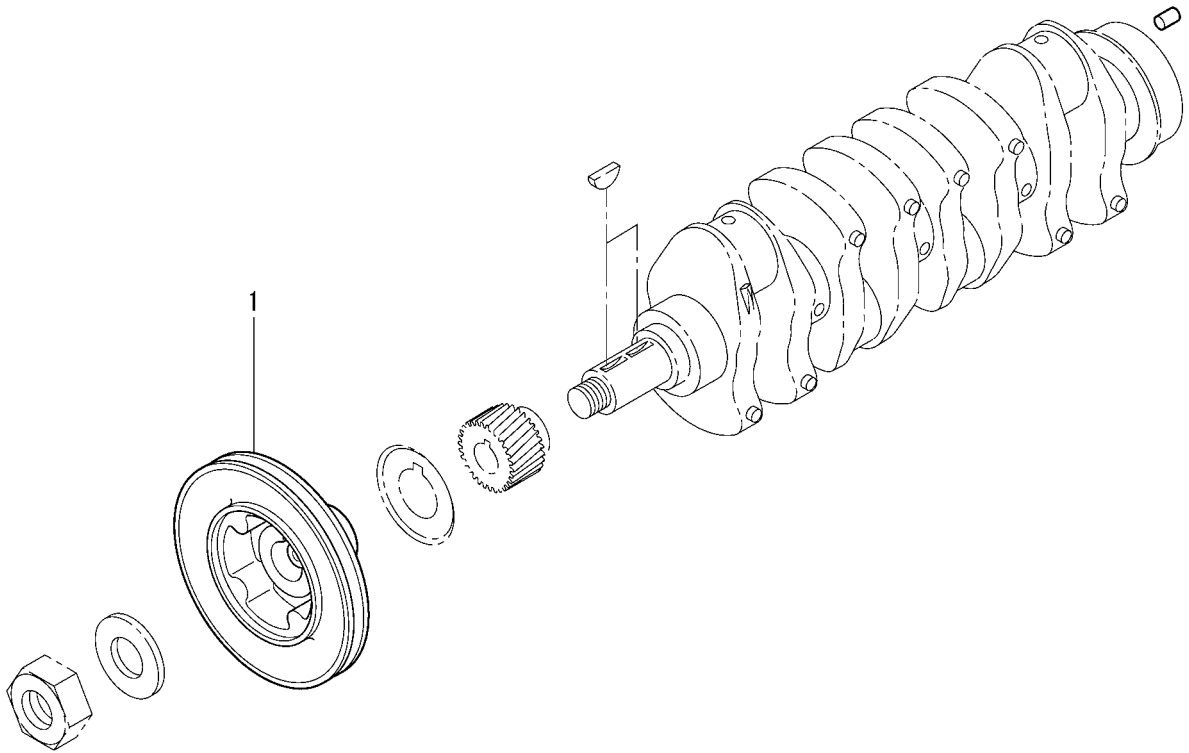
CONNECTING ROD

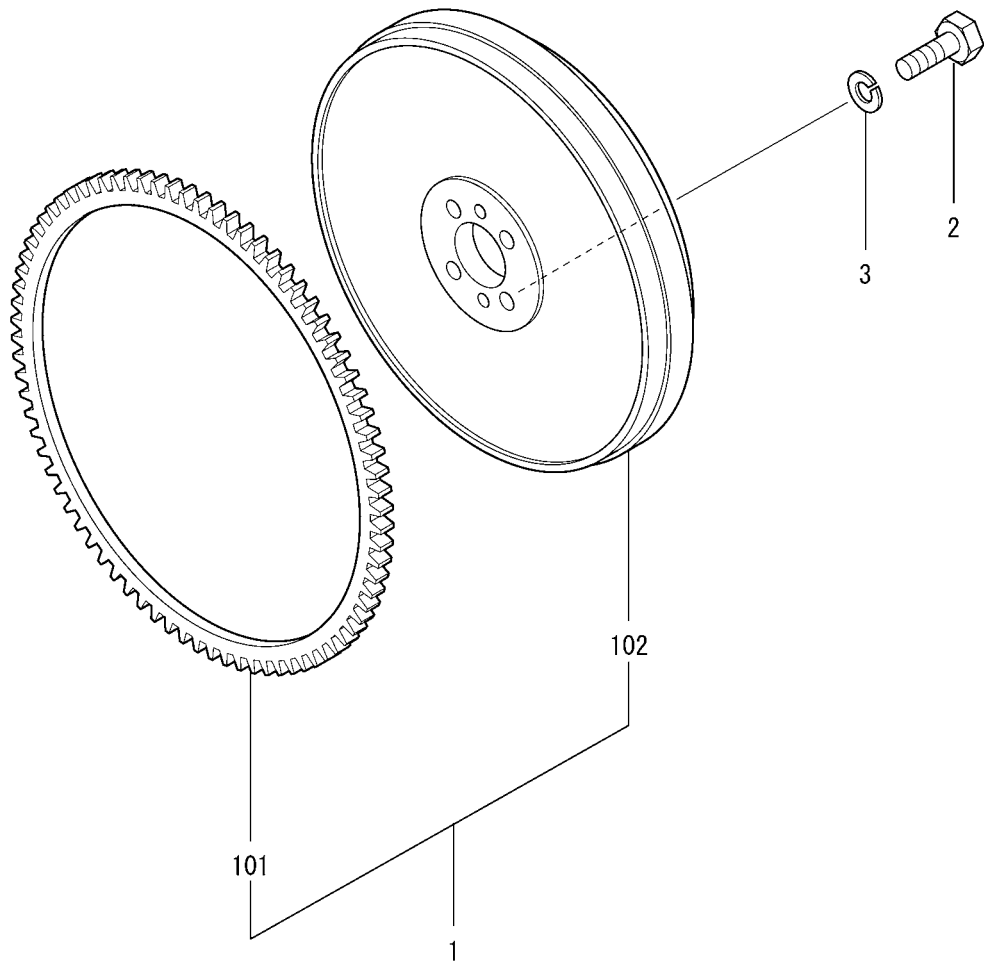


REF. -NO.	PART NO.	R / P	S E Q	C N G	PART NAME & DESCRIPTION	MODEL & QTY					APPLICABLE SERIAL NO.		M / R	V R D
						61S	Y16	Y26	Y36	Z26	FROM@-	-@UPTO		
						D	2SD	2SD	2SD	1SD				
1	32C19-00012				ROD ASSY,CONNECTING	4	4	4	4	4				
1 01	30619-10501				NUT,CONNECTING ROD	8	8	8	8	8				A
1 02	32A19-00400				BOLT,CONNECTING ROD	8	8	8	8	8				A
1 03	*				CONNECTING ROD	4	4	4	4	4				
1 04	*				CAP,CONNECTING ROD	4	4	4	4	4				
1 05	32C19-01100				BUSHING,CON-ROD	4	4	4	4	4				
2	32A19-09010			C	BEARING SET,CON-ROD	1	1	.	.	.				A
	32A19-09011	R	1		BEARING SET,CON-ROD	1	1	1	1	1				A
3	32A19-09020			C	BEARING SET,CON-ROD	1	1	.	.	.				A
	32A19-09021	R	1		BEARING SET,CON-ROD	1	1	1	1	1				A
4	32A19-09030			C	BEARING SET,CON-ROD	1	1	.	.	.				A
	32A19-09031	R	1		BEARING SET,CON-ROD	1	1	1	1	1				A
5	32A19-09040			C	BEARING SET,CON-ROD	1	1	.	.	.				A
	32A19-09041	R	1		BEARING SET,CON-ROD	1	1	1	1	1				A

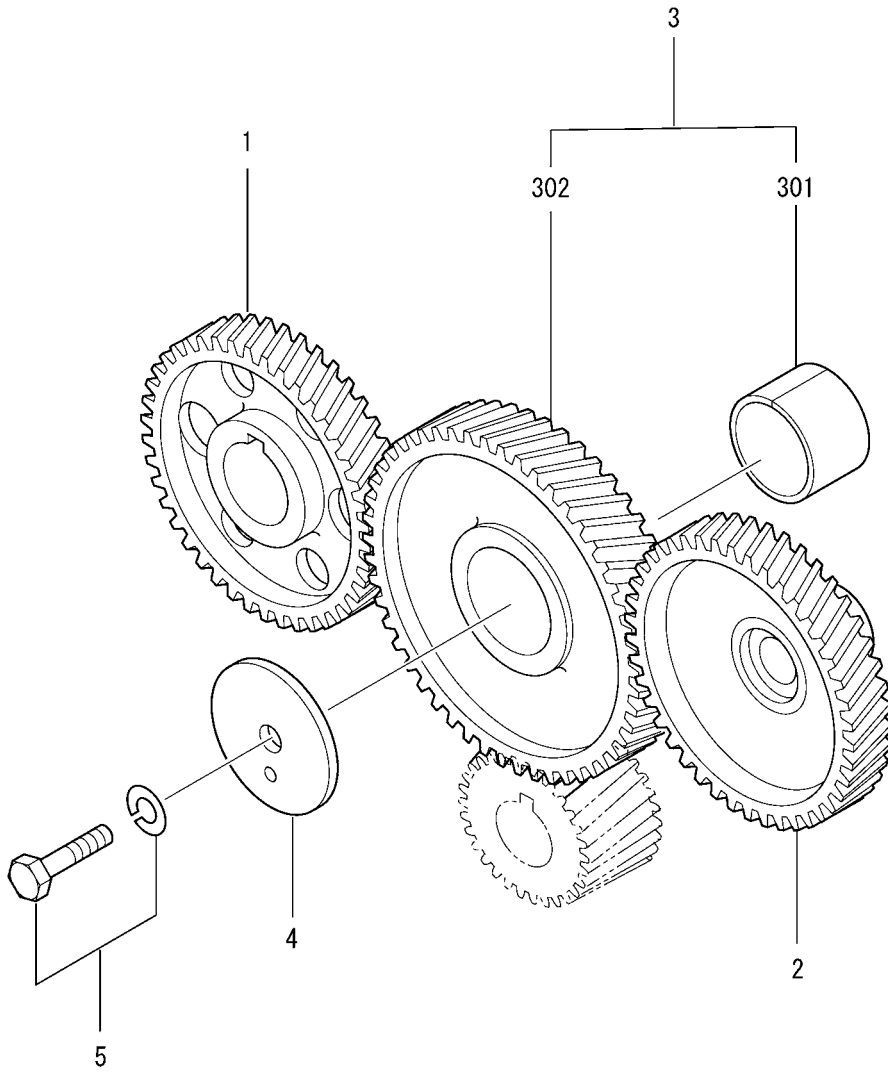


REF. -NO.	PART NO.	R / P	S E Q	C N G	PART NAME & DESCRIPTION	MODEL & QTY					APPLICABLE SERIAL NO.		M / R	V R D
						61S	Y16	Y26	Y36	Z26	FROM@-	-@UPTO		
						D	2SD	2SD	2SD	1SD				
1 01	32C20-02060	R	1	C	CRANKSHAFT ASSY	1	1	.	.	.			A	
	32C20-03060			C	CRANKSHAFT ASSY	1	1	.	.	.				
	32C20-03061			C	CRANKSHAFT ASSY	1	1	.	.	.				
	32C20-03062			C	CRANKSHAFT ASSY	1	1	1	1	1				
	F2325-24000				NUT, JAM	1	1	1	1	1				
1 02	F2846-10000				PIN, DOWEL	2	2	2	2	2			A	
1 03	F2870-07022				KEY, WOODRUFF	2	2	2	2	2				
1 04	*				CRANKSHAFT	1	1	1	1	1				
1 05	32C23-00300				GEAR, CRANKSHAFT	1	1	1	1	1				
1 06	34120-74200				WASHER	1	1	1	1	1			A	
2	30620-22500				PLATE, BAFFLE	1	1	1	1	1				

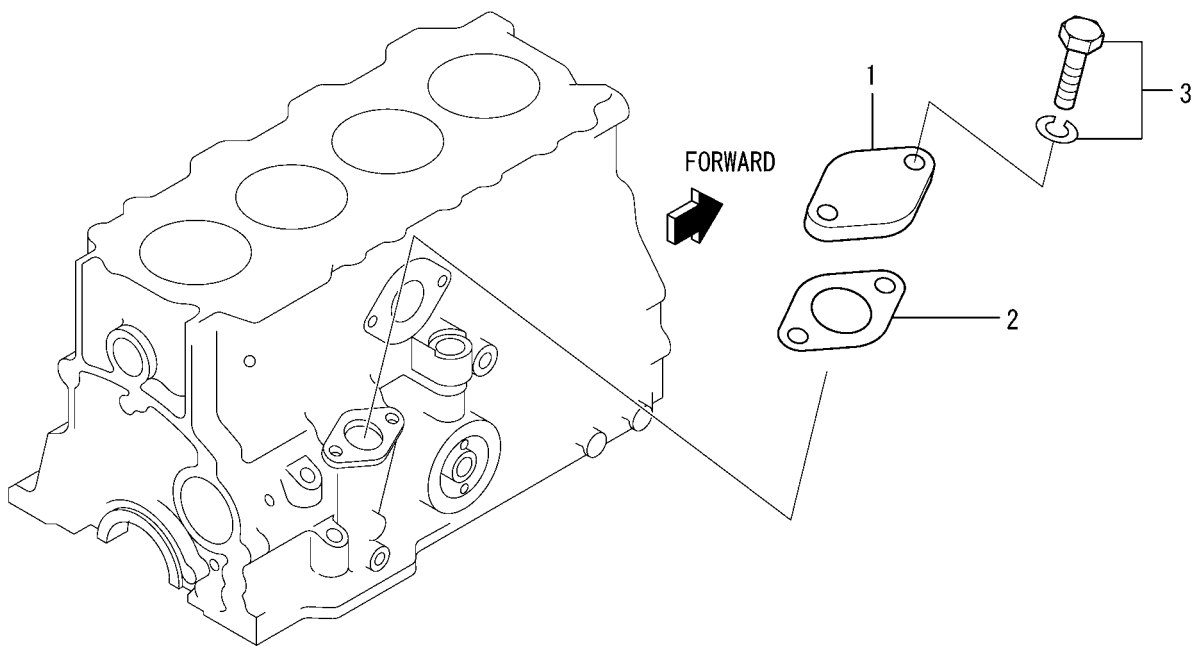


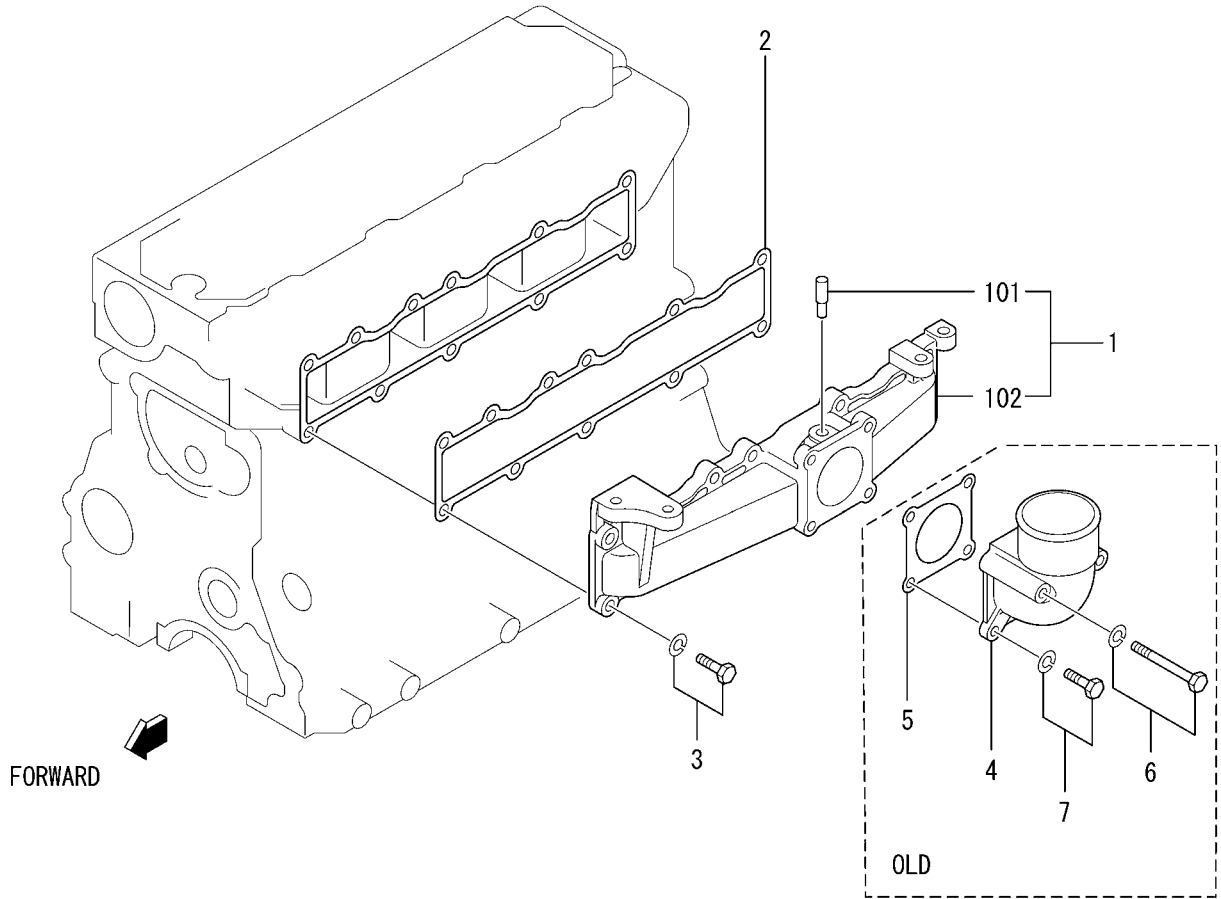


REF. -NO.	PART NO.	R / P	S E N G	PART NAME & DESCRIPTION	MODEL & QTY					APPLICABLE SERIAL NO.		M / R	V R D
					61S	Y16	Y26	Y36	Z26	FROM@-	-@UPTO		
					D	2SD	2SD	2SD	1SD				
1	32C21-02041			FLYWHEEL ASSY	1	1	1	1	1				
1 01	30621-61300			GEAR, RING	1	1	1	1	1				
1 02	*			FLYWHEEL	1	1	1	1	1				
2	F1035-12035			BOLT	4	4	4	4	4			A	
3	MF450407			WASHER, SPRING	4	4	4	4	4			A	

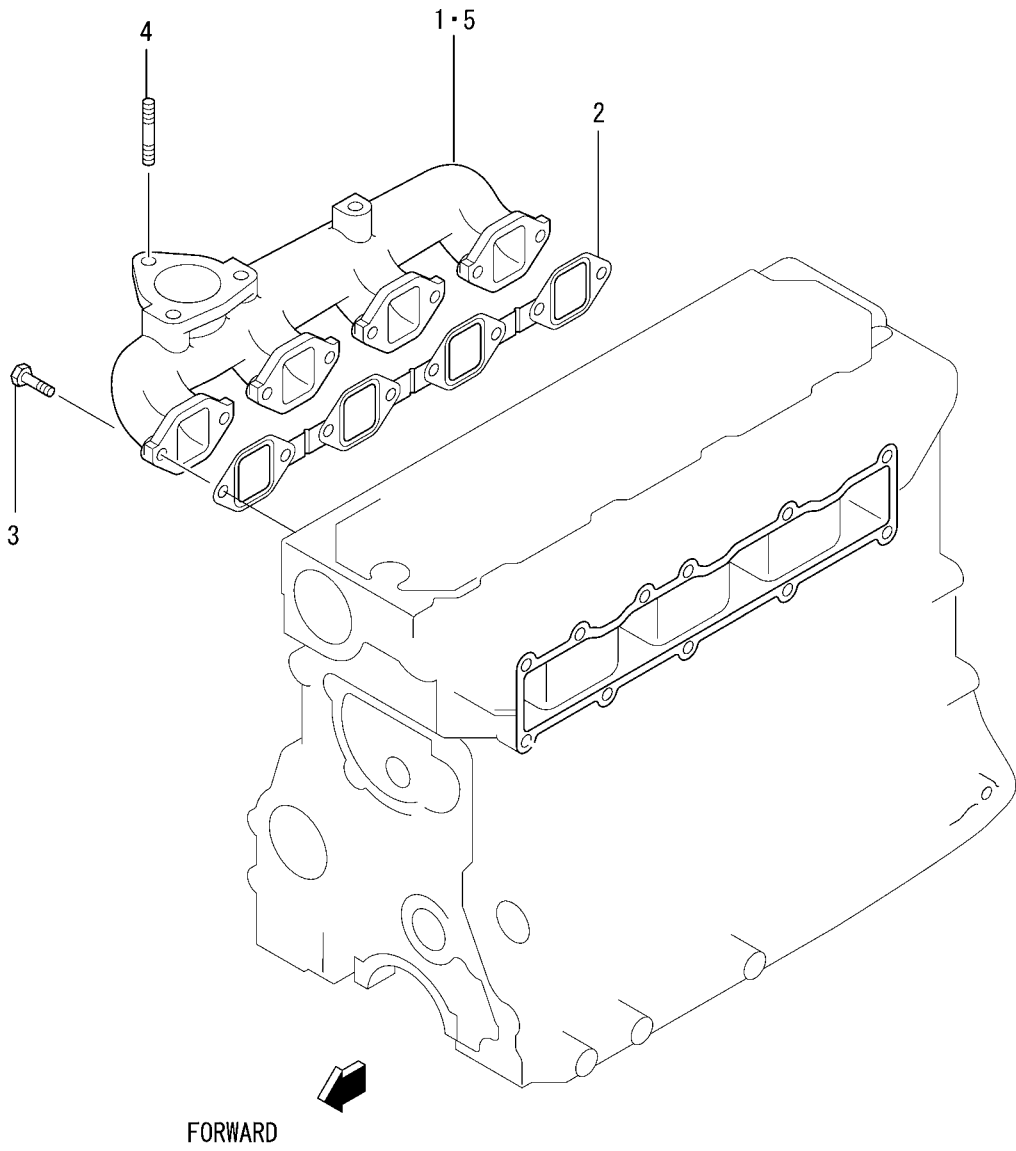


REF. -NO.	PART NO.	R / P	S E N G	PART NAME & DESCRIPTION	MODEL & QTY					APPLICABLE SERIAL NO.		M / R	V R D
					61S D	Y16 2SD	Y26 2SD	Y36 2SD	Z26 1SD	FROM@-	-@UPTO		
1	32C23-11100			GEAR, CAMSHAFT	1	1	1	1	1				
2	32C23-12200			GEAR, INJ PUMP	1	1	1	1	1				
3	32C23-13010			IDLER ASSY, GEAR	1	1	1	1	1				
3 01	30623-33401			BUSHING, IDLER	1	1	1	1	1				
3 02	*			GEAR, IDLER	1	1	1	1	1				
4	34323-00801			PLATE, THRUST	1	1	1	1	1				
5	MF241280			BOLT, W/WASHER	1	1	1	1	1				A



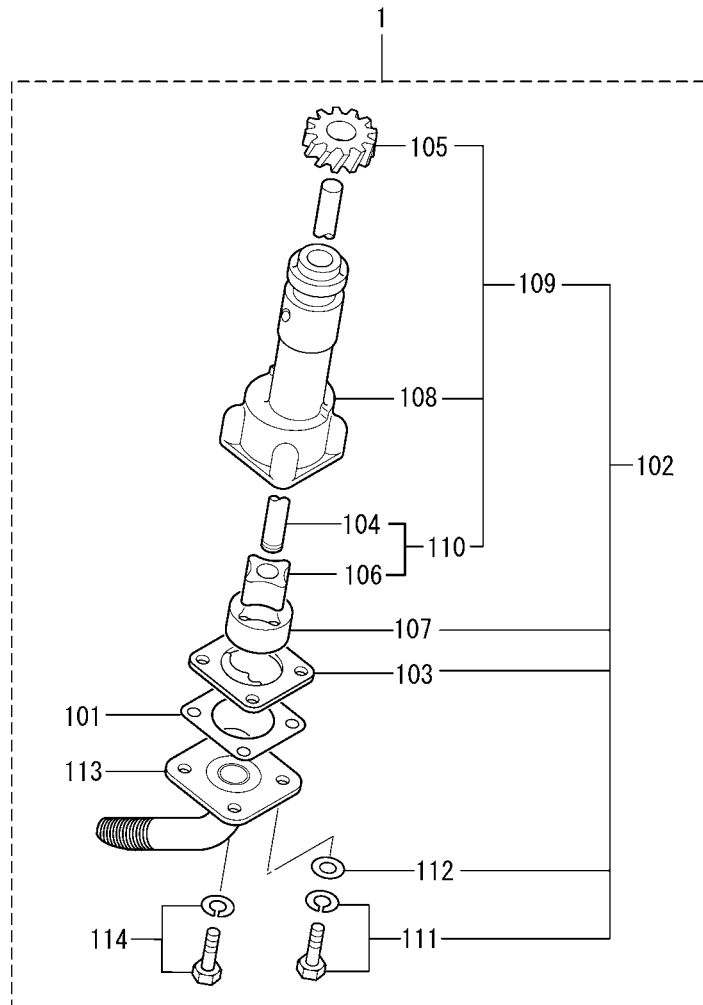
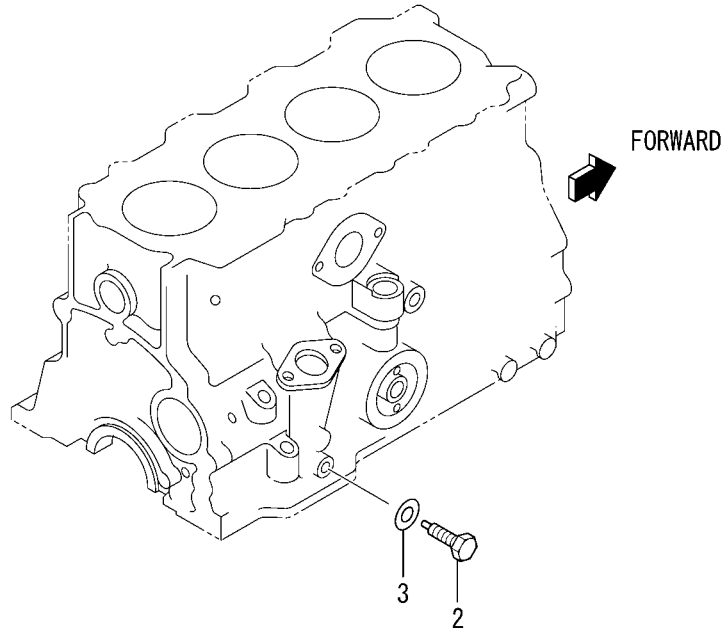


REF. -NO.	PART NO.	R / P	S E N G	PART NAME & DESCRIPTION	MODEL & QTY					APPLICABLE SERIAL NO.		M / R	V R D
					61S D	Y16 2SD	Y26 2SD	Y36 2SD	Z26 1SD	FROM@-	-@UPTO		
1	32C30-20010	R	1	C MANIFOLD ASSY, INLET	1	1	•	•	•				
	32C30-20011			D MANIFOLD ASSY, INLET	1	1	1	1	1				
1 01	*			PIPE	1	1	1	1	1				
1 02	*			MANIFOLD, INLET	1	1	1	1	1				
2	32C30-00500			GASKET, INLET MANF	1	1	1	1	1				A
3	MF241253			D BOLT, W/WASHER	11	11	11	11	11			A	
4	32C30-01100			D ELBOW, AIR INLET	1	•	•	•	•	@012988		A	
5	32C30-01200			D GASKET	1	•	•	•	•	@012988		A	
6	32C30-08500			D BOLT, W/WASHER	2	•	•	•	•	@012988		A	
7	MF241227			D BOLT, W/WASHER	2	•	•	•	•	@012988		A	

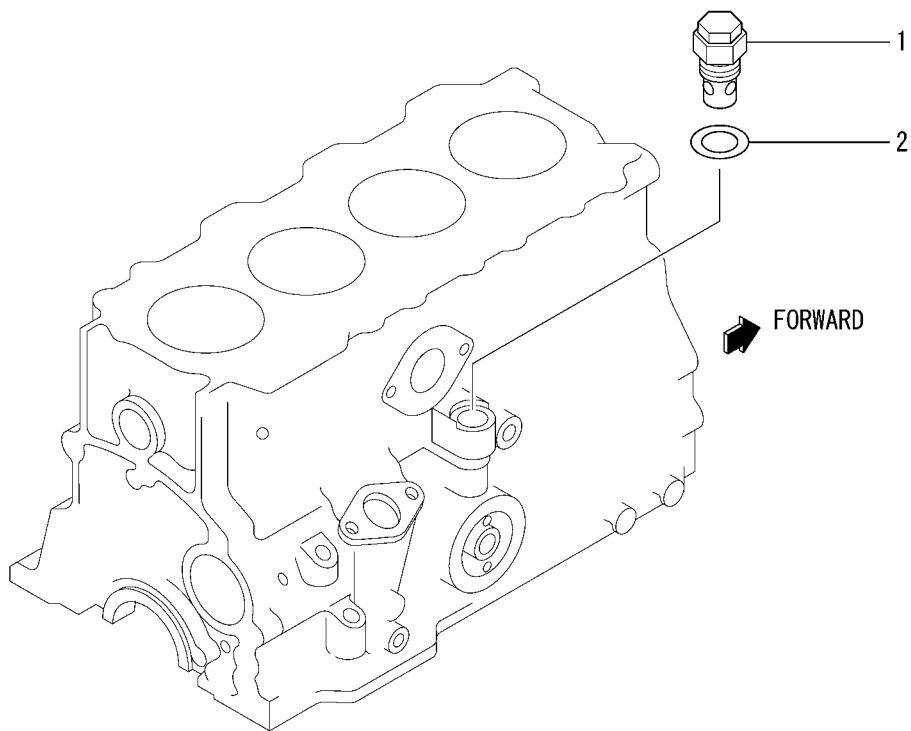


REF. -NO.	PART NO.	R / P	S E Q	C N G	PART NAME & DESCRIPTION	MODEL & QTY					APPLICABLE SERIAL NO.		M / R	V R D
						61S	Y16	Y26	Y36	Z26	FROM@-	-@UPTO		
						D	2SD	2SD	2SD	1SD				
1	32C32-00200			C	MANIFOLD, EXHAUST	1				
2	32C32-00201	R	1	C	MANIFOLD, EXHAUST	1	1	1	.	1				
2	32C32-00700			C	GASKET, EXHAUST	1	1	.	.	.				
3	32C32-10700	3	1	C	GASKET, EXHAUST	1	1	1	1	1		-025520	A	
3	F1035-08020				BOLT	8	8	8	8	8			A	
4	F1450-10028			A	STUD	3	3	3	3	3		070422-		
5	32C32-00201			A	MANIFOLD, EXHAUST	.	.	.	1	.				

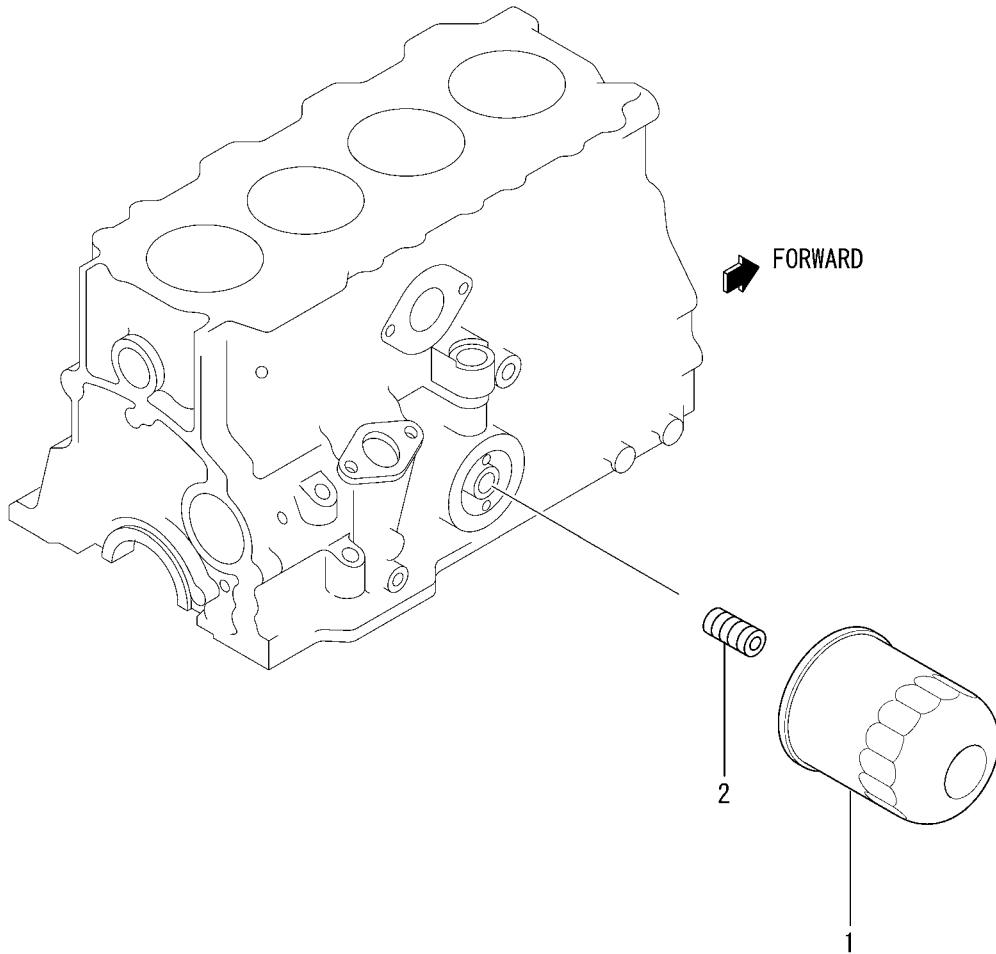
OIL PUMP & STRAINER

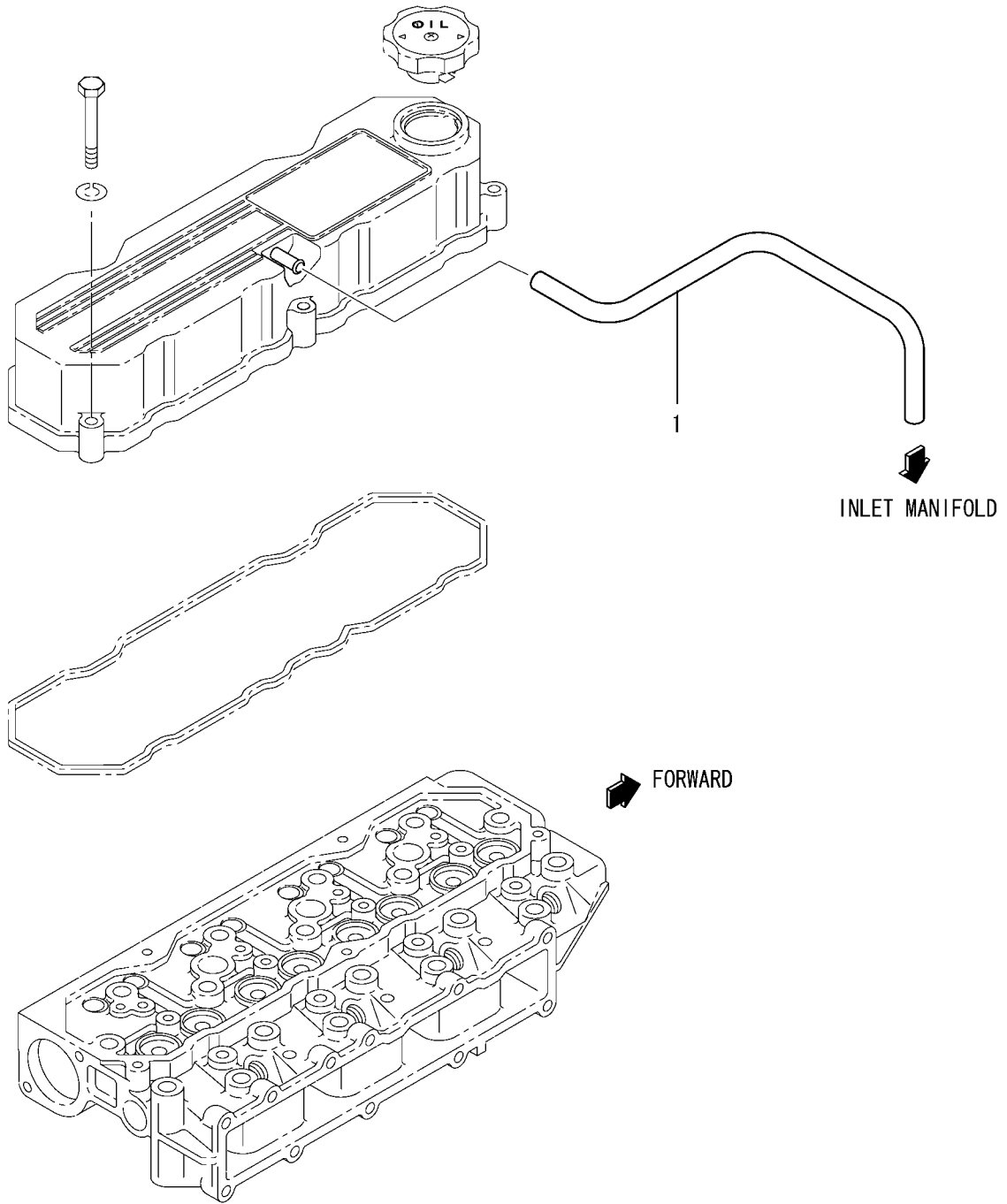


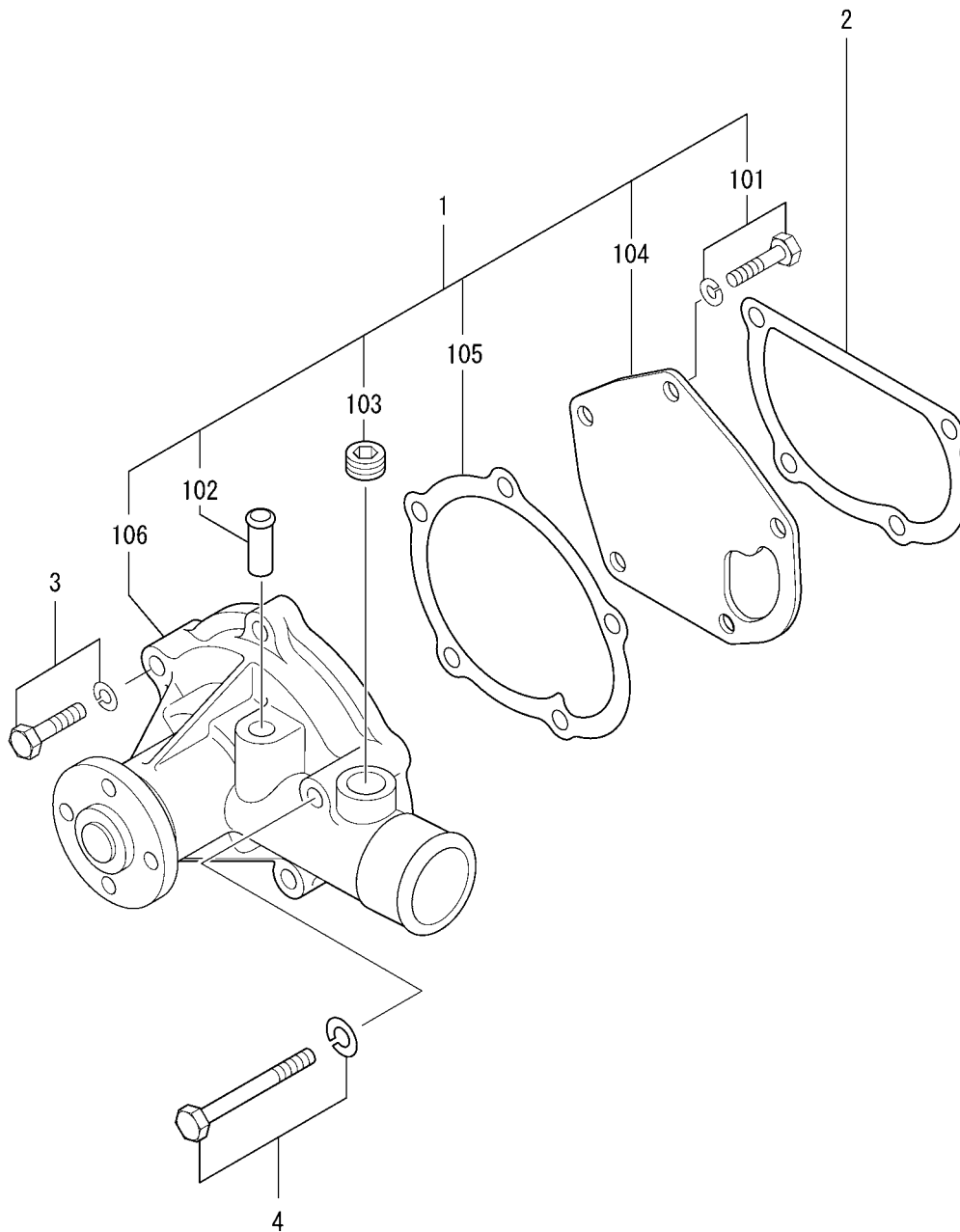
REF. -NO.	PART NO.	R / P	S E Q	C N G	PART NAME & DESCRIPTION	MODEL & QTY					APPLICABLE SERIAL NO.		M / R	V R D
						61S	Y16	Y26	Y36	Z26	FROM@-	-@UPTO		
						D	2SD	2SD	2SD	1SD				
1	32C35-30010			C	PUMP & STRAINER ASSY	1	1	•	•	•				
	32C35-30011	R	1	C	PUMP & STRAINER ASSY	1	1	•	•	•				
	32C35-30012	R	2		PUMP & STRAINER ASSY	1	1	1	1	1				
1 01	30436-22401				GASKET, STRAINER	1	1	1	1	1				A
1 02	32C35-01021				PUMP ASSY, OIL	1	1	1	1	1				
1 03	30435-33201				COVER	1	1	1	1	1				
1 04	*				SHAFT	1	1	1	1	1				
1 05	*				GEAR, DRIVE	1	1	1	1	1				
1 06	*				ROTOR, INNER	1	1	1	1	1				
1 07	*				ROTOR, OUTER	1	1	1	1	1				
1 08	*				CASE, OIL PUMP	1	1	1	1	1				
1 09	*				GEAR & CASE ASSY	1	1	1	1	1				
1 10	*				ROTOR SHAFT ASSY	1	1	1	1	1				
1 11	F1805-06020				BOLT, W/WASHER	2	2	2	2	2				A
1 12	F2500-06000				WASHER, PLAIN	1	1	1	1	1				A
1 13	32C36-20200			C	STRAINER, OIL	1	1	•	•	•		@028315		A
	32C36-30201	3	1		STRAINER, OIL	1	1	1	1	1				A
1 14	F1805-06020				BOLT, W/WASHER	2	2	2	2	2				A
2	34435-02200			C	BOLT, OIL PUMP SET	1	1	1	•	1				
	34435-02201	R	1		BOLT, OIL PUMP SET	1	1	1	1	1				
3	32C35-00900				GASKET, OIL PUMP SET	1	1	1	1	1				A



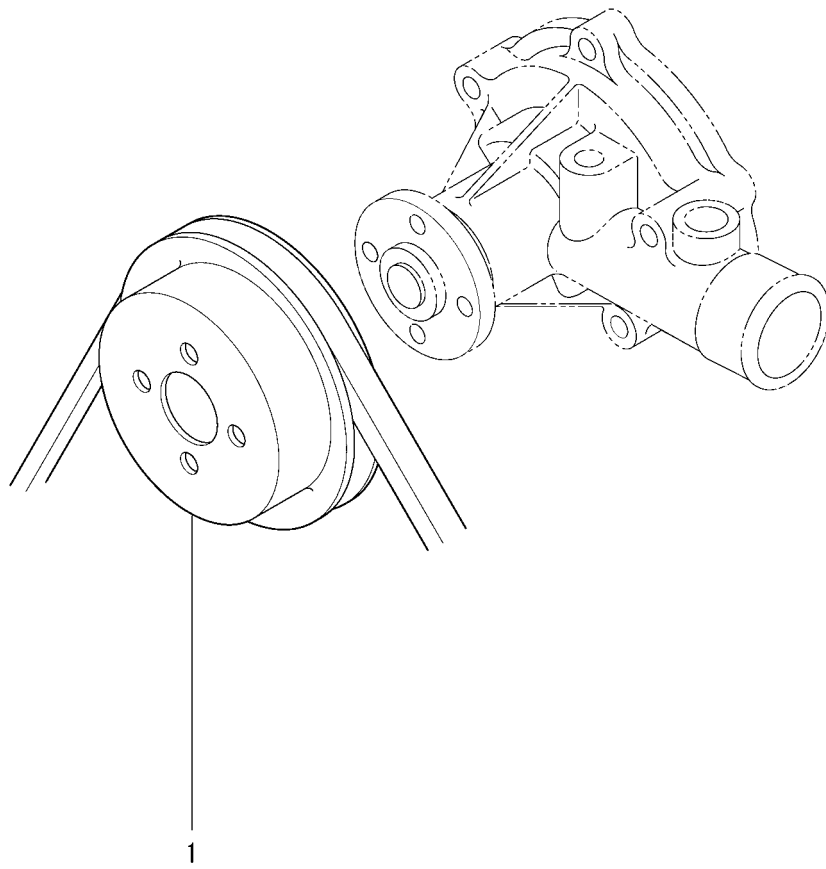
REF. -NO.	PART NO.	R / P	S E Q	C N G	PART NAME & DESCRIPTION	MODEL & QTY					APPLICABLE SERIAL NO.		M / R	V R D
						61S	Y16	Y26	Y36	Z26	FROM@-	-@UPTO		
						D	2SD	2SD	2SD	1SD				
1	32A36-05011			C	VALVE ASSY, RELIEF	1	1	•	•	•	030892-	-030891	A A	
2	32A36-05012	R	1	C	VALVE ASSY, RELIEF	1	1	1	1	1				
	F4202-22000			C	GASKET	1	1	•	•	•				
	34340-00700	N	1	C	GASKET	1	1	1	1	1				

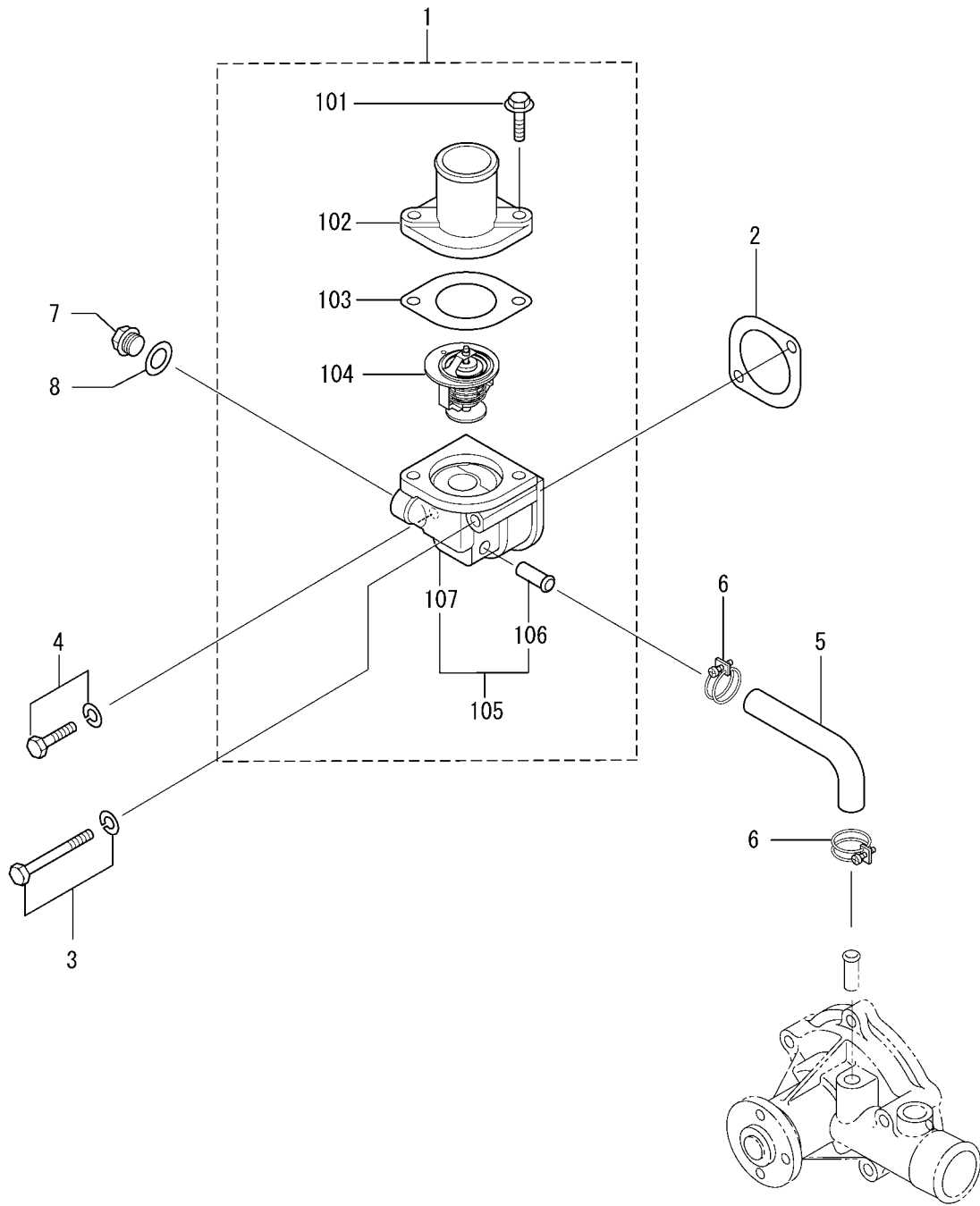






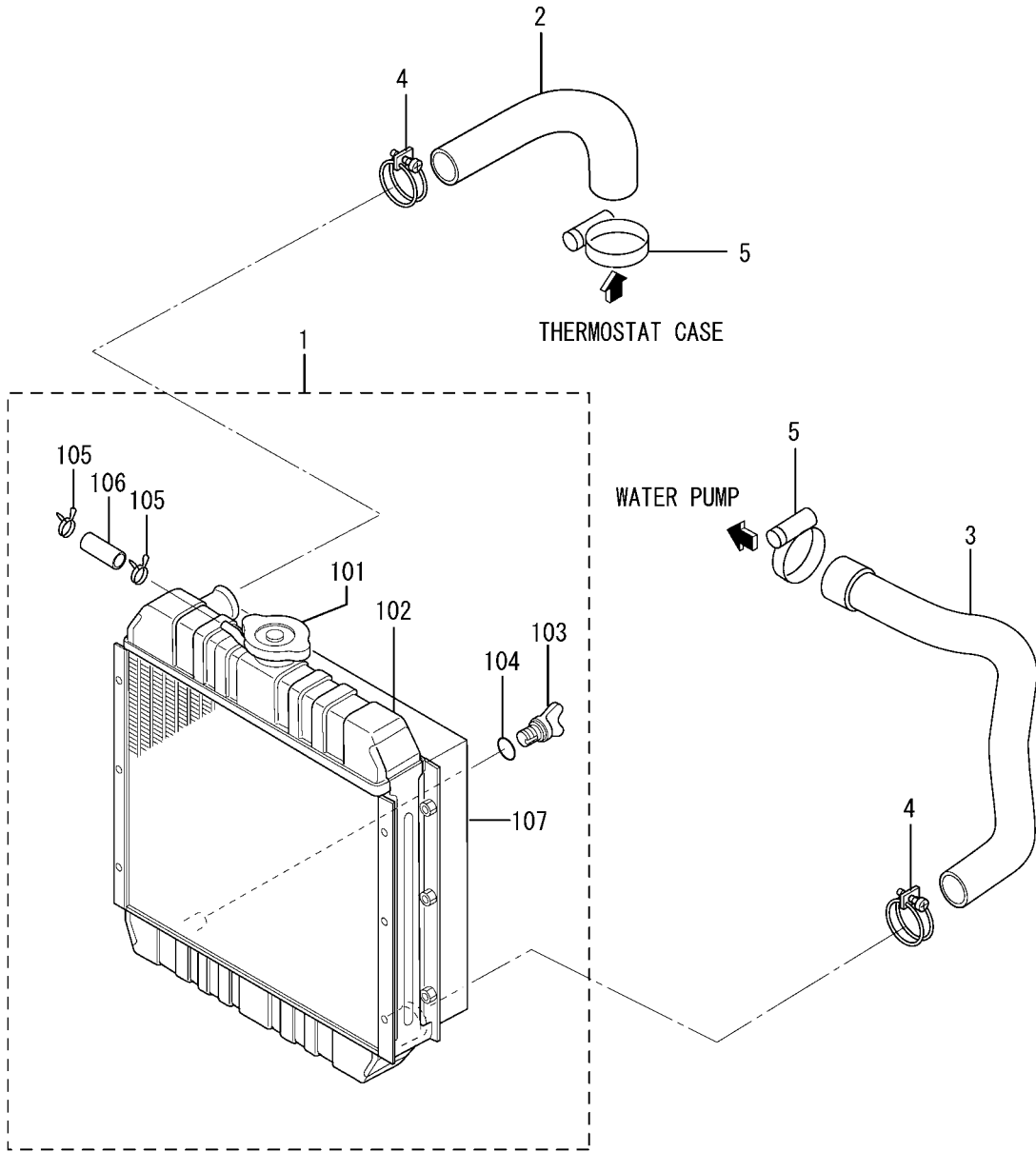
REF. -NO.	PART NO.	R / P	S E N G	PART NAME & DESCRIPTION	MODEL & QTY					APPLICABLE SERIAL NO.		M / R	V R D
					61S	Y16	Y26	Y36	Z26	FROM@-	-@UPTO		
					D	2SD	2SD	2SD	1SD				
1	32C45-00023			PUMP ASSY, WATER	1	1	1	1	1				
1 01	F1805-08020			BOLT, W/WASHER	1	1	1	1	1			A	
1 02	*			PIPE, WATER PUMP	1	1	1	1	1				
1 03	*			PLUG, TAPERED	1	1	1	1	1				
1 04	32C45-00300			COVER, WATER PUMP	1	1	1	1	1				
1 05	32C45-00400			GASKET, WATER PUMP	1	1	1	1	1			A	
1 06	*			CASE, WATER PUMP	1	1	1	1	1				
2	32C45-00500			GASKET	1	1	1	1	1			A	
3	MF241261			BOLT, W/WASHER	3	3	3	3	3			A	
4	MF241265			BOLT, W/WASHER	1	1	1	1	1			A	





REF. -NO.	PART NO.	R / P	S E N G	PART NAME & DESCRIPTION	MODEL & QTY					APPLICABLE SERIAL NO.		M / R	V R D
					61S	Y16	Y26	Y36	Z26	FROM@-	-@UPTO		
					D	2SD	2SD	2SD	1SD				
1	*			THERMOSTAT ASSY	1	1	1	1	1				
1 01	MF140227			BOLT , FLANGE	2	2	2	2	2				
1 02	32A46-01101			COVER, THERMOSTAT	1	1	1	1	1				
1 03	32A46-01200			GASKET , THERMOSTAT	1	1	.	.	.		@023835	A	
	32A46-01400	3	1	GASKET , THERMOSTAT	1	1	1	1	1			A	
1 04	32A46-02100			THERMOSTAT	1	1	1	1	1				
1 05	32A46-10030			CASE ASSY, THERMOSTAT	1	1	1	1	1				
1 06	*			PIPE, THERMOSTAT	1	1	1	1	1				
1 07	*			CASE, THERMOSTAT	1	1	1	1	1				
2	34446-05300			GASKET	1	1	1	1	1				A
3	MF241268			BOLT , W/WASHER	1	1	1	1	1				A
4	MF240062			BOLT , W/WASHER	1	1	1	1	1				A
5	32C46-01500			HOSE , BY-PASS	1	1	1	1	1				
6	32A46-03100			CLAMP , HOSE	2	2	2	2	2				
7	MM316248			PLUG , DRAIN	1	1	1	1	1				A
8	30636-25901			GASKET	1	1	1	1	1				A

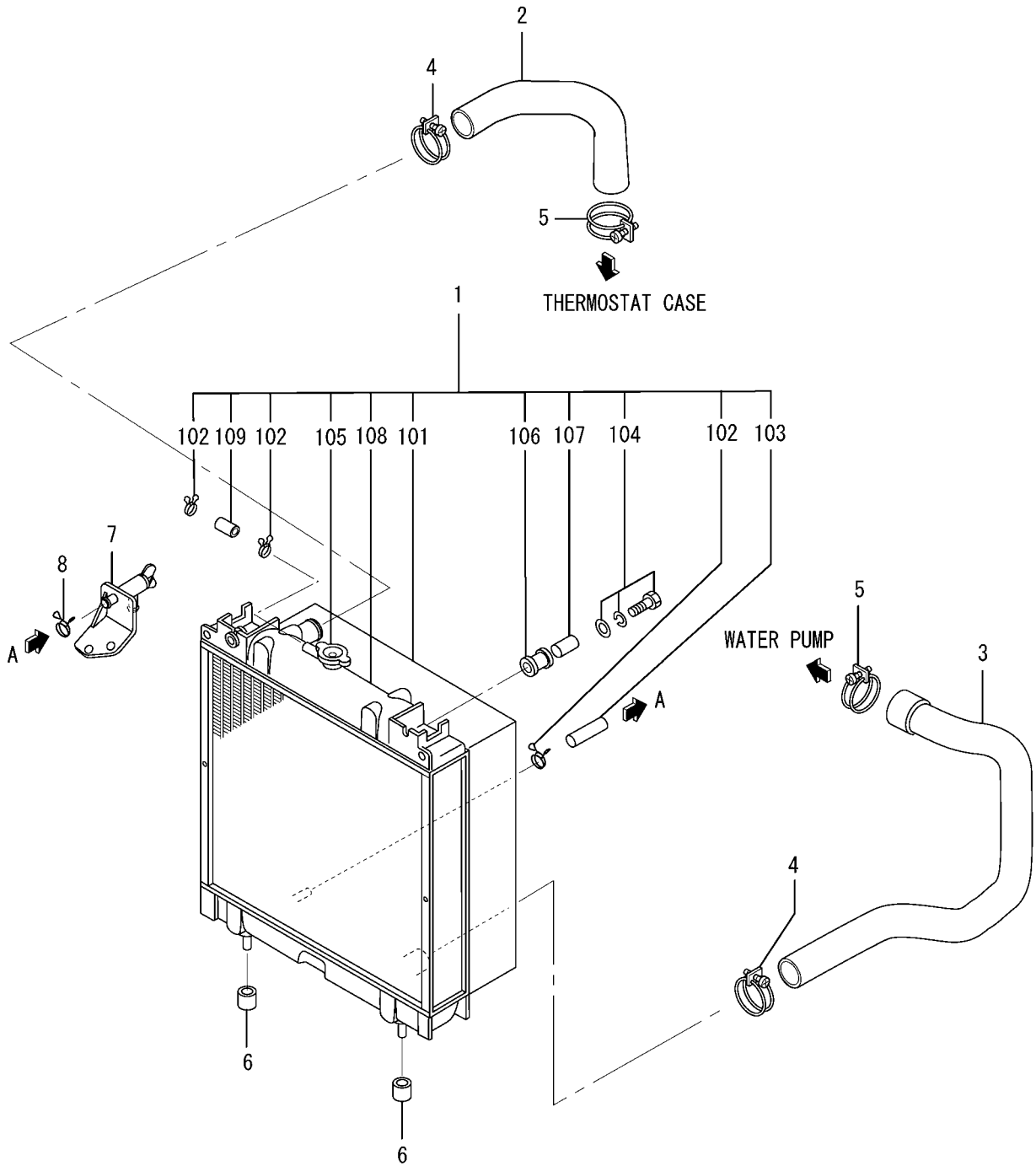
47-00-01 RADIATOR
(EXCEPT Y362SD)



47-00-01 RADIATOR
(EXCEPT Y362SD)

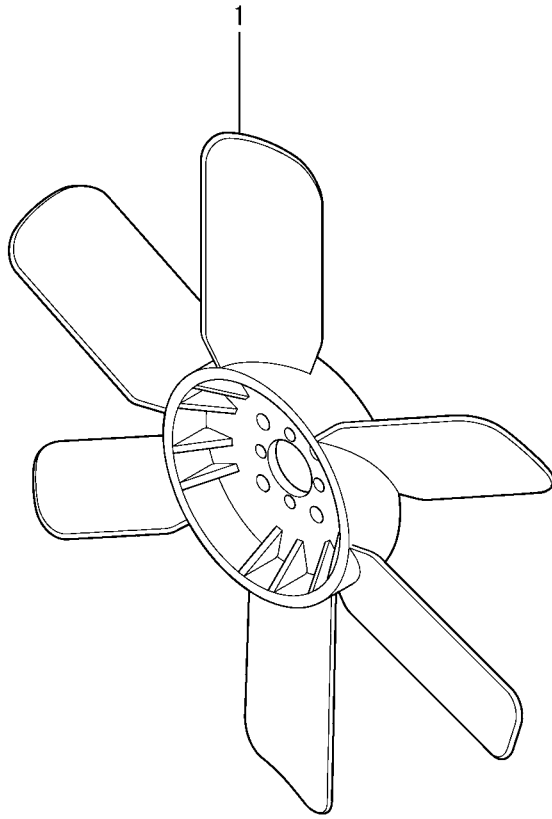
REF. -NO.	PART NO.	R / P	S E N G	PART NAME & DESCRIPTION	MODEL & QTY					APPLICABLE SERIAL NO.		M / R	V R D
					61S D	Y16 2SD	Y26 2SD	Y36 2SD	Z26 1SD	FROM@-	-@UPTO		
1	32C47-01010			RADIATOR ASSY	1	1	1	•	1				
1 01	34547-03600			CAP, PRESSURE	1	1	1	•	1				
1 02	*			BODY	1	1	1	•	1				
1 03	92301-02600			COCK	1	1	1	•	1				
1 04	F3150-00700			O-RING	1	1	1	•	1				A
1 05	54701-01400			CLIP	2	2	2	•	2				
1 06	42790-01316			HOSE	1	1	1	•	1				
1 07	32C47-01100			SHROUD	1	1	1	•	1				
2	32C47-00700			HOSE, RUBBER	1	1	1	•	1				A
3	32C47-00800			HOSE, RUBBER	1	1	1	•	1				A
4	05317-01700			CLAMP, HOSE	2	2	2	•	2				
5	F4300-04701			CLAMP, HOSE	2	2	2	•	2				

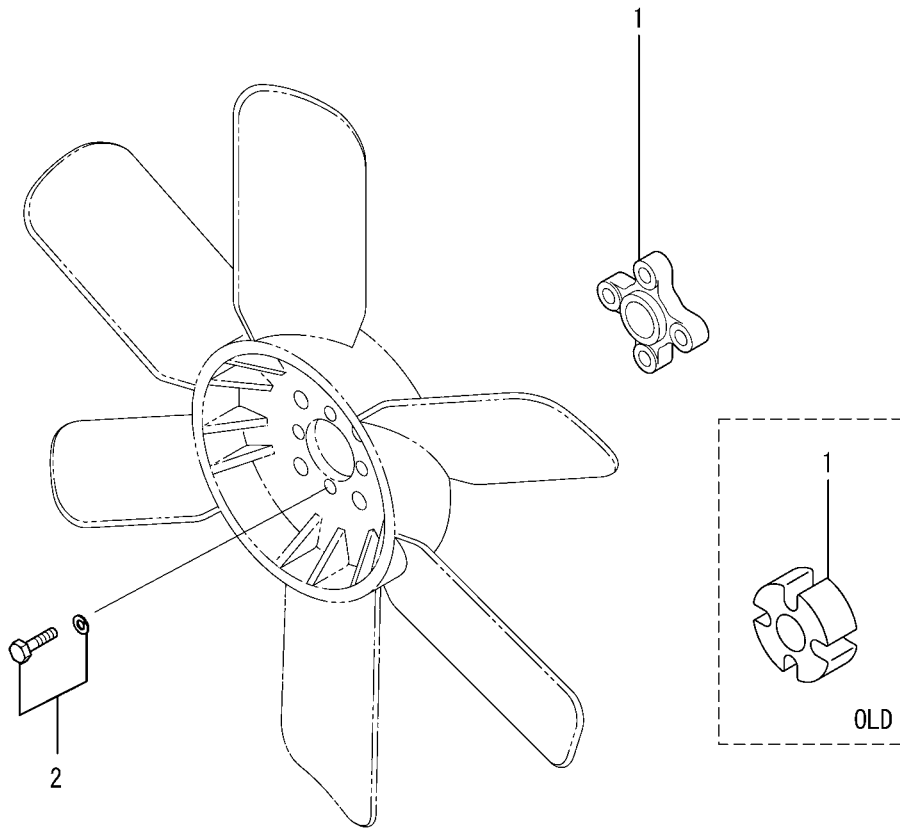
47-00-02 RADIATOR
(FOR Y362SD)

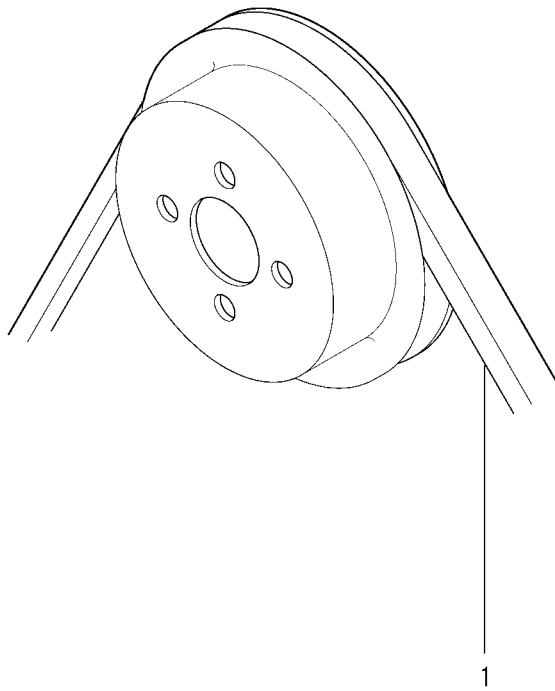


47-00-02 RADIATOR
(FOR Y362SD)

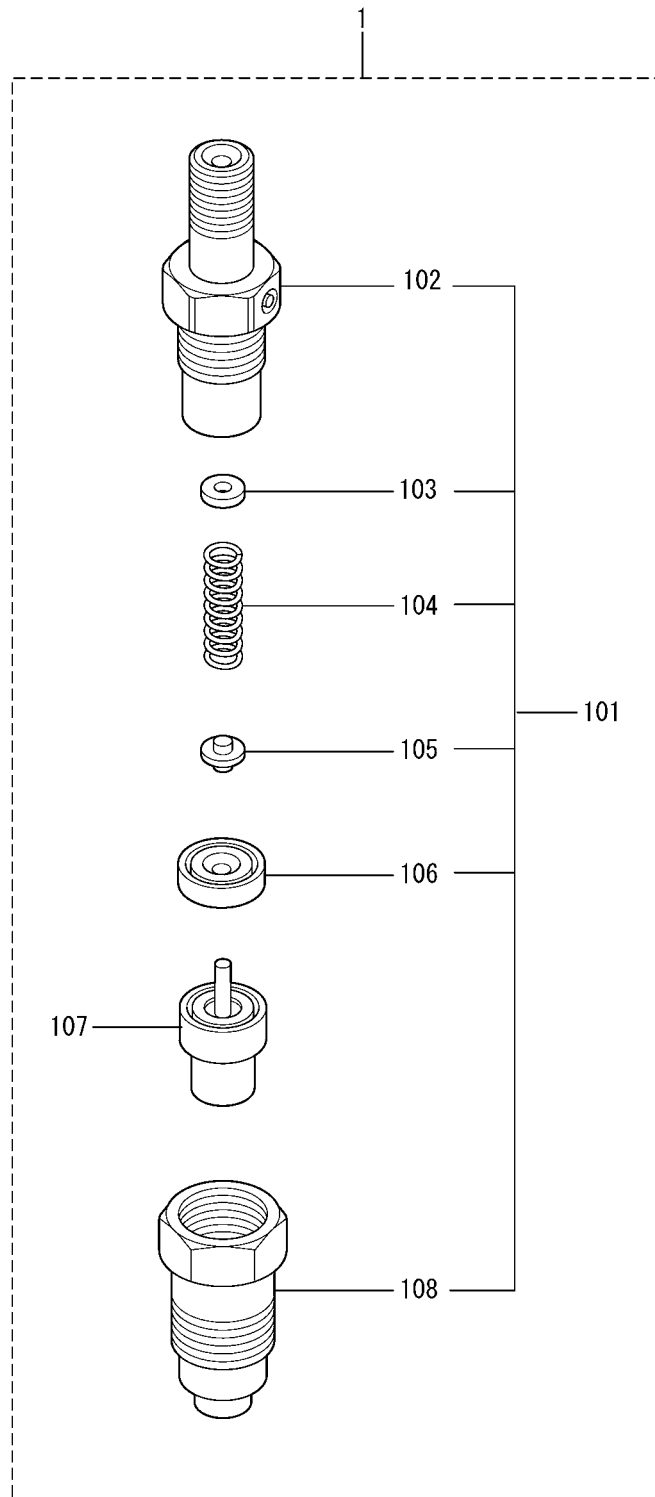
REF. -NO.	PART NO.	R / P	S E N G	PART NAME & DESCRIPTION	MODEL & QTY					APPLICABLE SERIAL NO.		M / R D
					61S D	Y16 2SD	Y26 2SD	Y36 2SD	Z26 1SD	FROM@-	-@UPTO	
1	32C47-05010		A	RADIATOR ASSY	.	.	.	1	.	070422-		
1 01	32C47-05200		A	SHROUD	.	.	.	1	.	070422-		
1 02	42786-03300		A	CLIP,HOSE	.	.	.	3	.	070422-		
1 03	32A47-06100		A	HOSE	.	.	.	1	.	070422-		
1 04	F1825-06012		A	BOLT,W/WASHER	B/W	.	.	.	4	070422-		A
1 05	42713-30600		A	CAP,PRESSURE	.	.	.	1	.	070422-		A
1 06	32A47-05600		A	CUSHION	.	.	.	2	.	070422-		
1 07	32A47-05700		A	COLLAR	.	.	.	2	.	070422-		
1 08	32C47-05100		A	PACKING	.	.	.	2	.	070422-		A
1 09	55801-01400		A	PIPE,OVERFLOW	.	.	.	1	.	070422-		
2	32C47-06100		A	HOSE,RUBBER	.	.	.	1	.	070422-		
3	32C47-06200		A	HOSE,RUBBER	.	.	.	1	.	070422-		
4	05317-01700		A	CLAMP,HOSE	.	.	.	2	.	070422-		
5	F4300-04701		A	CLAMP,HOSE	.	.	.	2	.	070422-		
6	31A47-03100		A	CUSHION	.	.	.	2	.	070422-		
7	31A47-03500		A	COCK ASSY	.	.	.	1	.	070422-		
8	42786-03300		A	CLIP,HOSE	.	.	.	1	.	070422-		



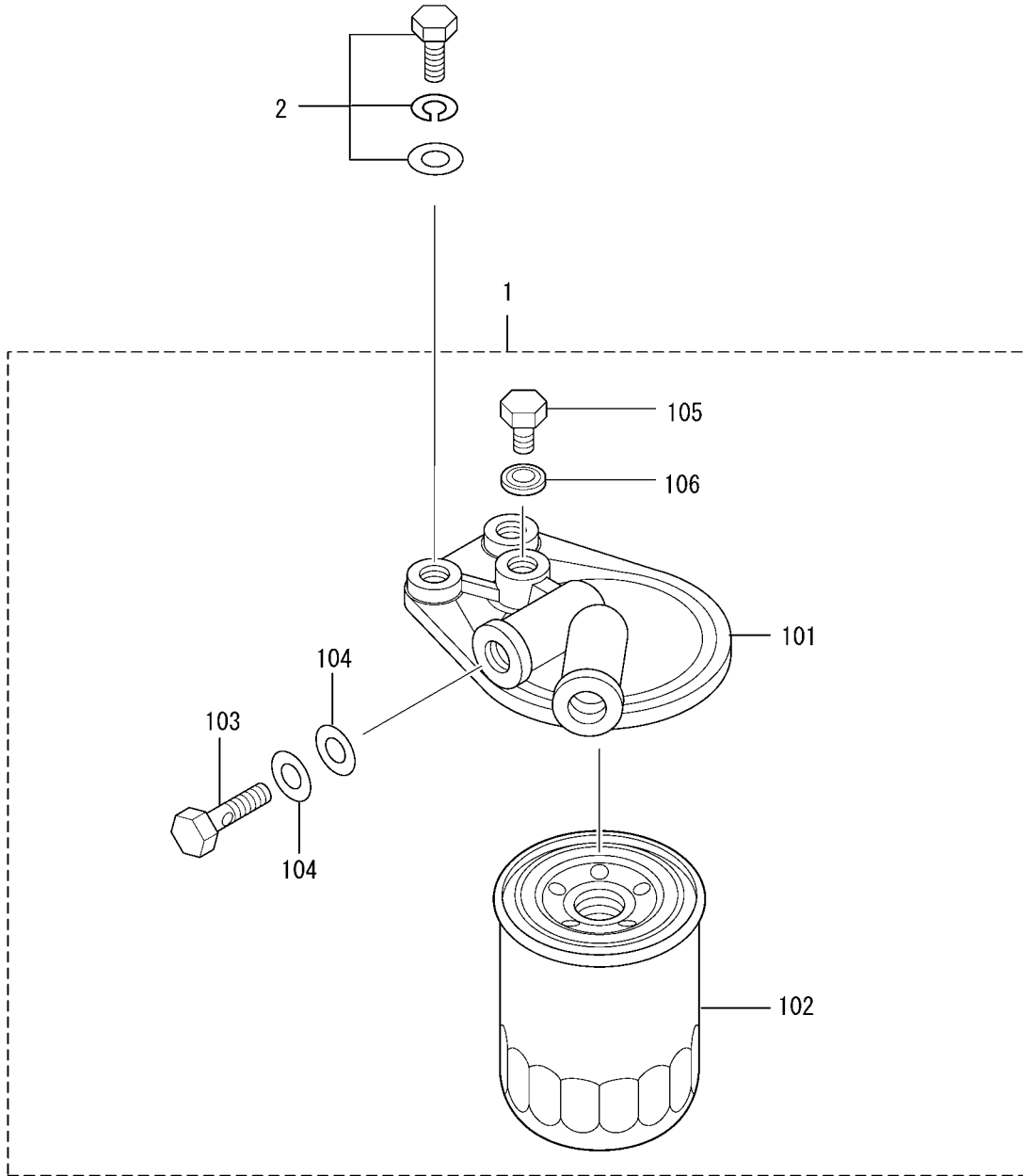




REF. -NO.	PART NO.	R / P	S E N G	PART NAME & DESCRIPTION	MODEL & QTY					APPLICABLE SERIAL NO.		M / R	V R D
					61S	Y16	Y26	Y36	Z26	FROM@-	-@UPTO		
					D	2SD	2SD	2SD	1SD				
1	MD068353			NUT	4	4	4	4	4			A	
2	MD068355			GASKET, FUEL RETURN	4	4	4	4	4			A	
3	MD070717			GASKET, HOLDER	4	4	4	4	4			A	
4	MM430703			CLAMP	3	3	3	3	3				
5	MM430614			CLAMP	3	3	3	3	3				
6	MF243628			BOLT, W/WASHER	3	3	3	3	3			A	
7	32C61-04100			PIPE, FUEL LEAK OFF	1	1	1	1	1				
8	32C61-03301		C	PIPE, FUEL RETURN	1		-024715		
9	32C61-13300	3	1	PIPE, FUEL RETURN	1	1	1	1	1				
	ME910-33801			HOSE, FUEL FEED	1	1	1	1	1				
10	ME910325			HOSE, FUEL FEED	1	1	1	1	1				
11	32C61-01500		C	PIPE, INJECTION NO. 1	1				
	32C61-01501	R	1	PIPE, INJECTION NO. 1	1	1	1	1	1				
12	32C61-01600		C	PIPE, INJECTION NO. 2	1				
	32C61-01601	R	1	PIPE, INJECTION NO. 2	1	1	1	1	1				
13	32C61-01700		C	PIPE, INJECTION NO. 3	1				
	32C61-01701	R	1	PIPE, INJECTION NO. 3	1	1	1	1	1				
14	32C61-01800		C	PIPE, INJECTION NO. 4	1				
	32C61-01801	R	1	PIPE, INJECTION NO. 4	1	1	1	1	1				

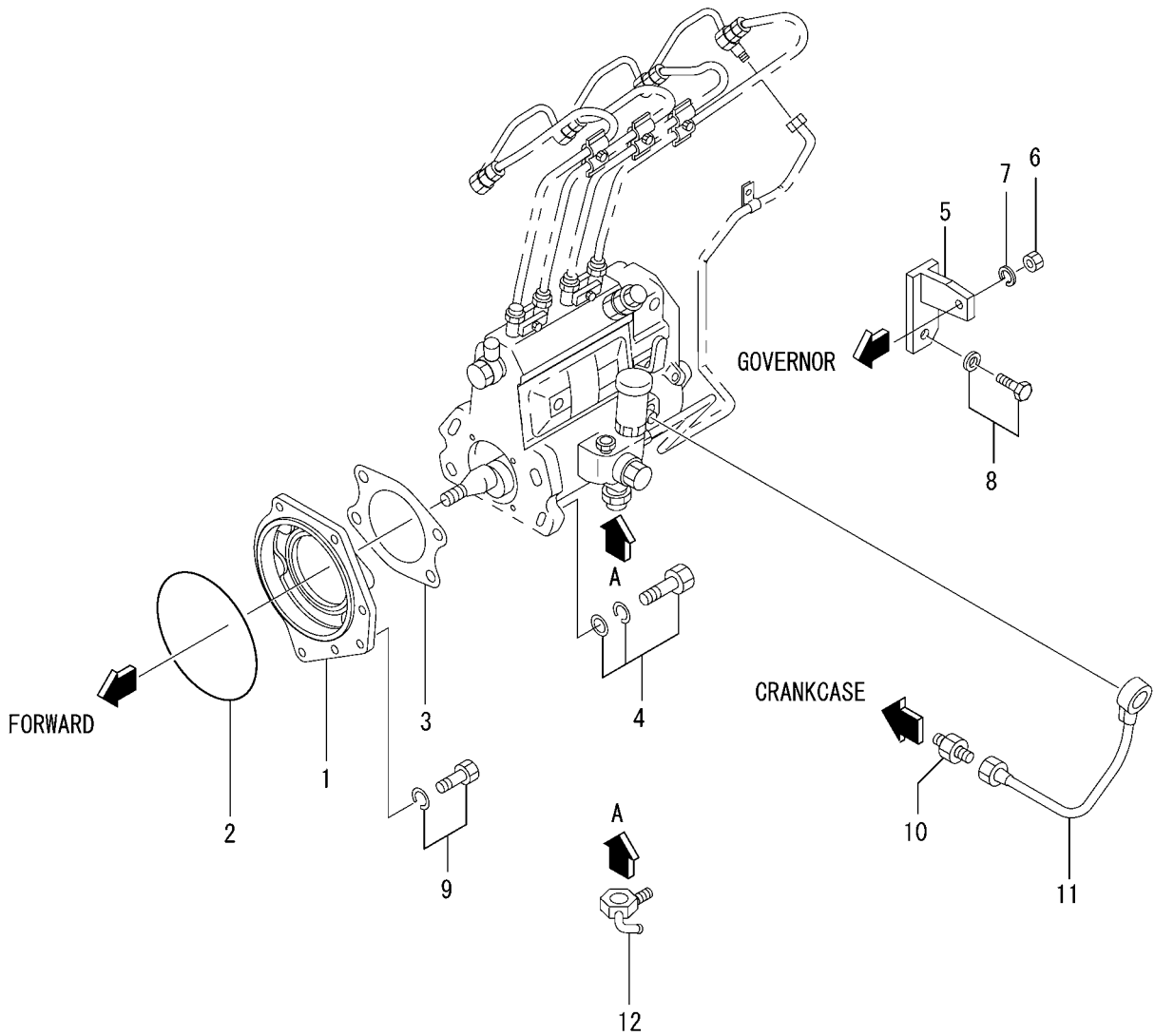


REF. -NO.	PART NO.	R / P	S E N G	PART NAME & DESCRIPTION	MODEL & QTY					APPLICABLE SERIAL NO.		M / R	V R D
					61S	Y16	Y26	Y36	Z26	FROM@-	-@UPTO		
					D	2SD	2SD	2SD	1SD				
1	MM435-94101			NOZZLE & HOLDER ASSY	4	4	4	4	4			A	
1 01	MM514045			HOLDER ASSY	4	4	4	4	4				
1 02	MM514048			BODY SUB ASSY	4	4	4	4	4				
1 03	MD603490			WASHER	AR	AR	AR	AR	AR			A	
	MD603491			WASHER	AR	AR	AR	AR	AR			A	
	MD603492			WASHER	AR	AR	AR	AR	AR			A	
	MD603493			WASHER	AR	AR	AR	AR	AR			A	
	MD603494			WASHER	AR	AR	AR	AR	AR			A	
	MD603495			WASHER	AR	AR	AR	AR	AR			A	
	MD603496			WASHER	AR	AR	AR	AR	AR			A	
	MD603497			WASHER	AR	AR	AR	AR	AR			A	
	MD603498			WASHER	AR	AR	AR	AR	AR			A	
	MD603499			WASHER	AR	AR	AR	AR	AR			A	
1 04	MM514047			SPRING, PRESSURE	4	4	4	4	4			A	
1 05	MM501838			PIN, PRESSURE	4	4	4	4	4			A	
1 06	MM501841			PIECE, DISTANCE	4	4	4	4	4				
1 07	MD603660			NOZZLE ASSY	4	4	4	4	4			A	
1 08	MM514380			NUT, NOZZLE RETAINING	4	4	4	4	4				



REF. -NO.	PART NO.	R / P	S E N G	PART NAME & DESCRIPTION	MODEL & QTY					APPLICABLE SERIAL NO.		M / R	V R D
					61S	Y16	Y26	Y36	Z26	FROM@-	-@UPTO		
					D	2SD	2SD	2SD	1SD				
1	34462-00011			FILTER ASSY, FUEL	1	1	1	1	1			A	
1 01	34462-00201			BRACKET, FUEL FILTER	1	1	1	1	1			A	
1 02	34462-00300			ELEMENT ASSY	1	1	1	1	1			A	
1 03	MH037087			BOLT, EYE	2	2	2	2	2			A	
1 04	05946-01401			WASHER, SEALING	4	4	4	4	4			A	
1 05	MH037084			PLUG, AIR	1	1	1	1	1			A	
1 06	05946-00801			WASHER, SEALING	1	1	1	1	1			A	
2	MF244855			BOLT, W/WASHER	2	2	2	2	2			A	

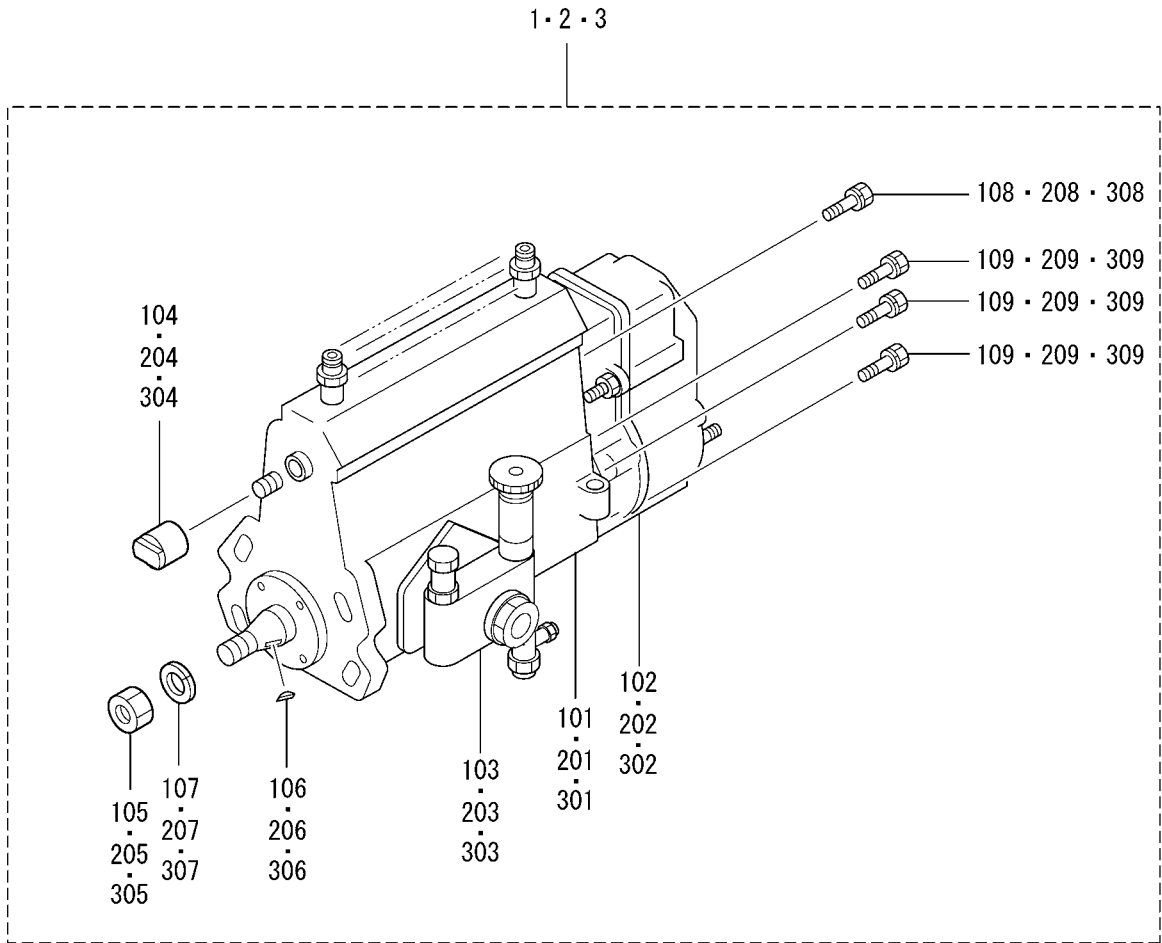
65-01-01 FUEL INJECTION PUMP



65-01-01 FUEL INJECTION PUMP

REF. -NO.	PART NO.	R / P	S E Q G	C N G	PART NAME & DESCRIPTION	MODEL & QTY					APPLICABLE SERIAL NO.		M / R	V R D
						61S	Y16	Y26	Y36	Z26	FROM@-	-@UPTO		
						D	2SD	2SD	2SD	1SD				
1	32C61-05201	R	1	C	FLANGE, INJ PUMP	1				
2	32C61-05202			FLANGE, INJ PUMP	1	1	1	1	1					
3	31361-01300			O-RING	1	1	1	1	1					A
4	30661-51300			GASKET	1	1	1	1	1					A
	F2015-10035				BOLT, W/WASHER	4	4	4	4	4				A
5	32C61-08100	R	1	C	BRACKET, PUMP	1				
6	32C61-08101			BRACKET, PUMP	1	1	1	1	1					
7	F2300-08000			NUT	1	1	1	1	1		012536@			A
8	F2515-08000			WASHER, SPRING	1	1	1	1	1		012536@			A
	F1805-10020			A	BOLT, W/WASHER	1	1	1	1	1	012536@			A
9	MF240054	N	1	C	BOLT, W/WASHER	1	1	1	1	1				A
10	00434-06010			CONNECTOR	1	1	1	.	.			@046313		
	F4440-06300			CONNECTOR	1	1	1	1	1		046314@			
11	32C36-00100			C	PIPE, OIL	1	1	1	.	.		@046313		
	32C36-10100	G	1	C	PIPE, OIL	1	1	1	1	1	046314@			
12	30661-50802				JOINT, EYE	1	1	1	1	1				

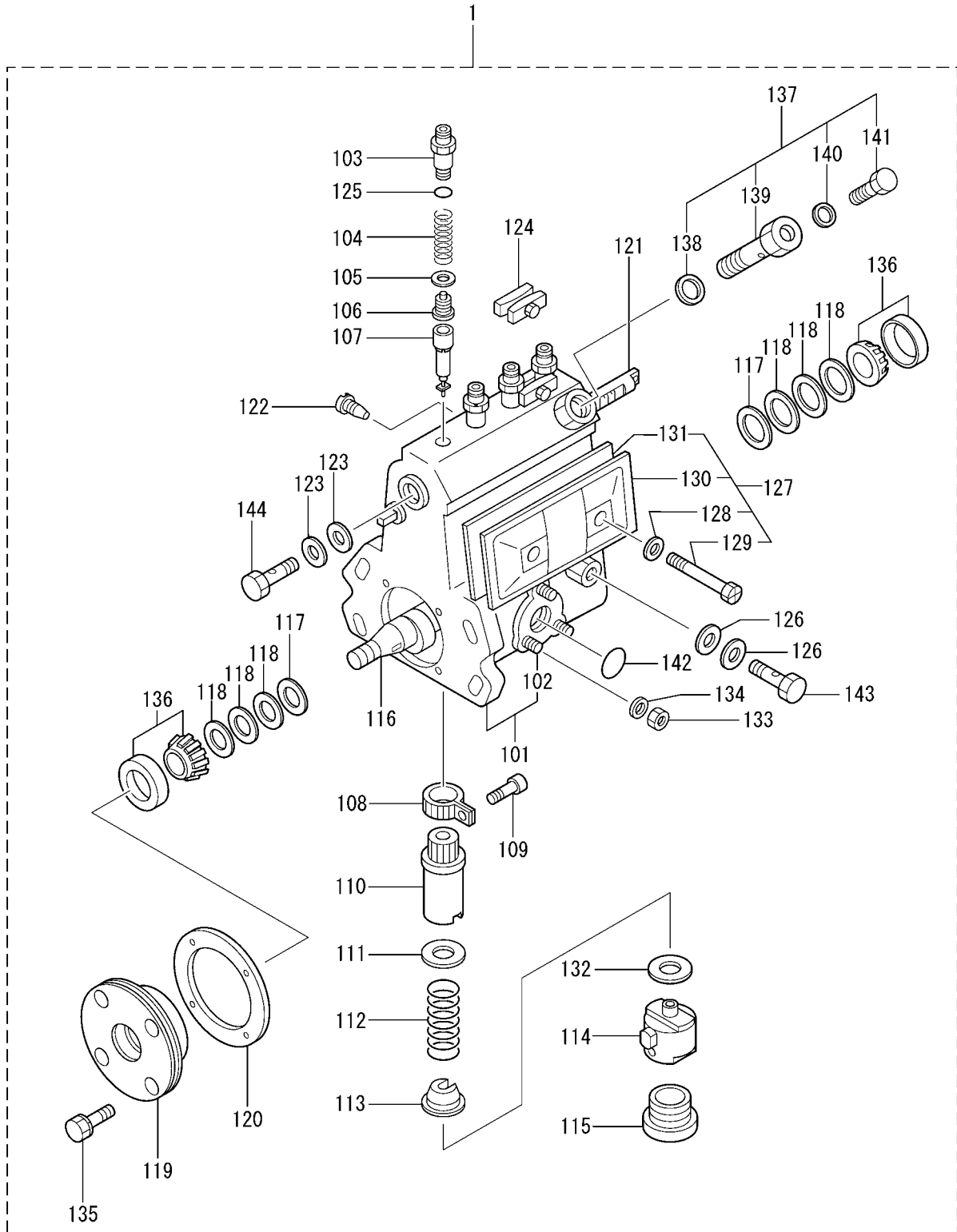
65-01-02 INJECTION PUMP



65-01-02 INJECTION PUMP

REF. -NO.	PART NO.	R / P	S E Q	C N G	PART NAME & DESCRIPTION	MODEL & QTY					APPLICABLE SERIAL NO.		M / R	V R D	
						61S	Y16	Y26	Y36	Z26	FROM@-	-@UPTO			
						D	2SD	2SD	2SD	1SD					
1	32C65-04010	R	1	C	PUMP ASSY, INJECTION	1					
	32C65-04011				PUMP ASSY, INJECTION	1	1				
1 01	*				BODY ASSY, INJ PUMP	1	1				
1 02	*				GOVERNOR ASSY	1	1				
1 03	34461-09050				PUMP ASSY, FEED	1	1				
1 04	09001-80081				COVER, CONTROL RACK	1	.	.	.	1					
1 05	94905-02450				NUT, HEXAGON	1	.	.	.	1					
1 06	94913-00190				KEY, WOODRUFF	1	.	.	.	1					
1 07	94901-50500				WASHER, SPRING	1	.	.	.	1			A		
1 08	91518-08221				BOLT, W/WASHER	1	.	.	.	1			A		
1 09	91418-06161				BOLT, W/WASHER	6	.	.	.	6			A		
2	32C65-04040	A			PUMP ASSY, INJECTION	.	1	1	.	.	028184-				
2 01	*				BODY ASSY, INJ PUMP	SEE G/N 65-01-03	.	1	1	.	.				
2 02	*				GOVERNOR ASSY	SEE G/N 65-01-05	.	1	1	.	.				
2 03	34461-09050				PUMP ASSY, FEED	SEE G/N 65-01-06	.	1	1	.	.	028184-			
2 04	09001-80081	A			COVER, CONTROL RACK	.	1	1	.	.	028184-				
2 05	94905-02450	A			NUT, HEXAGON	.	1	1	.	.	028184-				
2 06	94913-00190	A			KEY, WOODRUFF	.	1	1	.	.	028184-				
2 07	94901-50500	A			WASHER, SPRING	.	1	1	.	.	028184-		A		
2 08	91518-08221	A			BOLT, W/WASHER	.	1	1	.	.	028184-		A		
2 09	91418-06161	A			BOLT, W/WASHER	.	6	6	.	.	028184-		A		
3	32C65-04170	A			PUMP ASSY, INJECTION	.	.	.	1	.	070422-				
3 01	*				BODY ASSY, INJ PUMP	SEE G/N 65-01-03	.	.	.	1	.				
3 02	*				GOVERNOR ASSY	SEE G/N 65-01-05	.	.	.	1	.				
3 03	34461-09050				PUMP ASSY, FEED	SEE G/N 65-01-06	.	.	.	1	.	070422-			
3 04	09001-80081	A			COVER, CONTROL RACK	.	.	.	1	.	070422-				
3 05	94905-02450	A			NUT, HEXAGON	.	.	.	1	.	070422-				
3 06	94913-00190	A			KEY, WOODRUFF	.	.	.	1	.	070422-				
3 07	94901-50500	A			WASHER, SPRING	.	.	.	1	.	070422-		A		
3 08	91518-08221	A			BOLT, W/WASHER	.	.	.	1	.	070422-		A		
3 09	91418-06161	A			BOLT, W/WASHER	.	.	.	6	.	070422-		A		

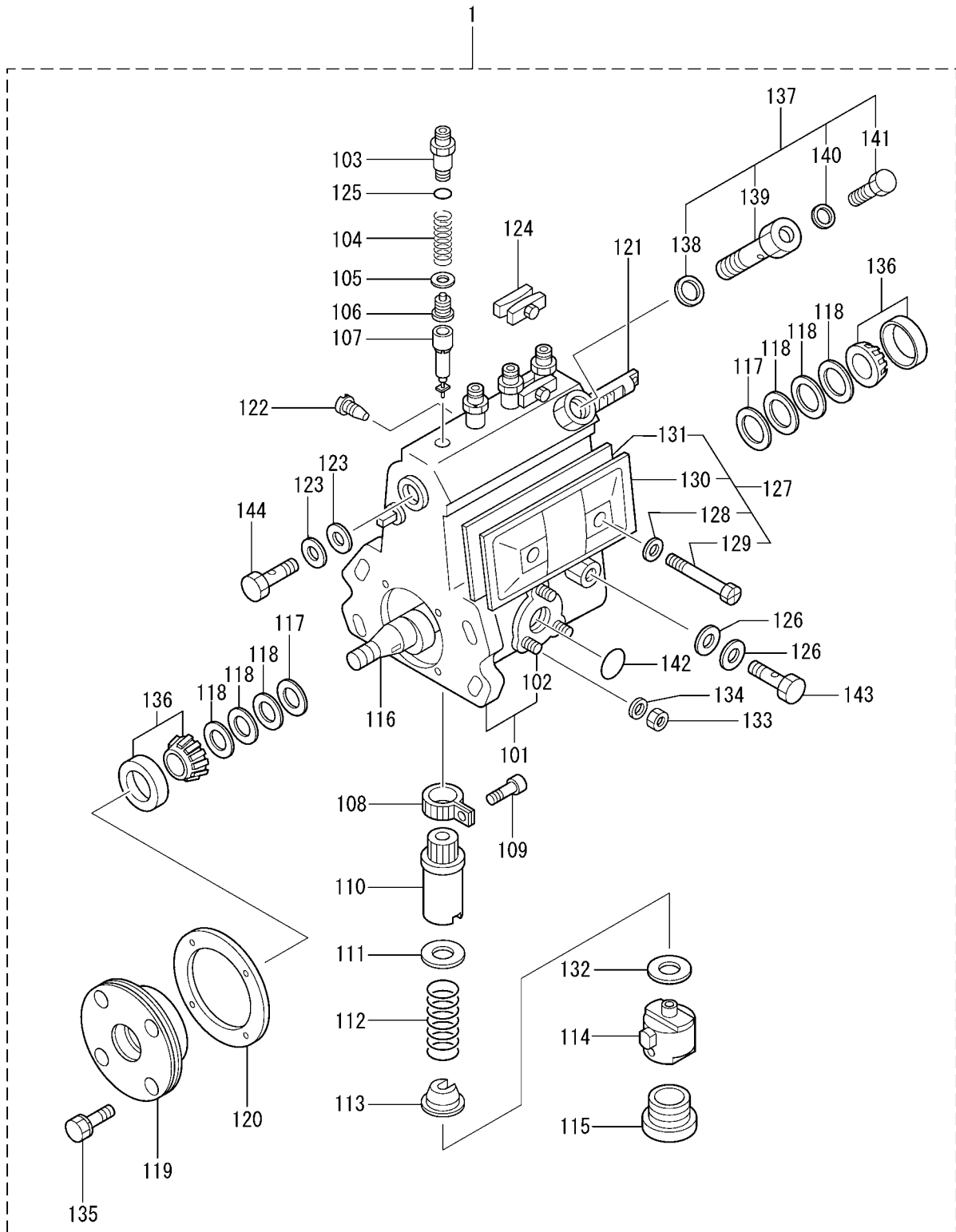
65-01-03 INJECTION PUMP



65-01-03 INJECTION PUMP

REF. -NO.	PART NO.	R / P	S E Q	C N G	PART NAME & DESCRIPTION	MODEL & QTY					APPLICABLE SERIAL NO.		M / R	V R D
						61S	Y16	Y26	Y36	Z26	FROM@-	-@UPTO		
						D	2SD	2SD	2SD	1SD				
1 01	* 19011-05060				BODY ASSY, INJ PUMP	1	1	1	1	1				
1 02	94904-30010				HOUSING KIT, INJ PUMP	1	1	1	1	1				
1 03	09013-10330				BOLT, STUD	3	3	3	3	3				A
1 04	09013-60020				HOLDER, DELIVERY	4	4	4	4	4				
1 05	09013-70100				SPRING, DELIVERY	4	4	4	4	4				
1 06	09013-70100				GASKET, DELIVERY	4	4	4	4	4				A
1 07	09014-00660				VALVE SUB ASSY	4	4	4	4	4				
1 08	09015-02980				ELEMENT SUB ASSY	4	4	4	4	4				A
1 09	09015-60010				PINION, CONTROL	4	4	4	4	4				
1 09	09015-70010				SCREW, PINION CLAMP	4	4	4	4	4				
1 10	09016-10330				SLEEVE, CONTROL	4	4	4	4	4				
1 11	09016-30191				SEAT, SPRING UPPER	4	4	4	4	4				
1 12	09016-40090				SPRING, PUMP PLUNGER	4	4	4	4	4				A
1 13	09016-50160				SEAT, SPRING LOWER	4	4	4	4	4				
1 14	09017-00070				TAPPET SUB ASSY	4	4	4	4	4				
1 15	09018-90090				PLUG, FELT PLATE	4	4	4	4	4				
1 16	09019-10081				CAMSHAFT	1	1	1	1	1				
1 17	09019-30020				RING, ADJUSTING	2	2	2	2	2				
1 18	09019-40010				PLATE, CAMSHAFT SHIM T=0.10	AR	AR	AR	AR	AR				
1 18	09019-40020				PLATE, CAMSHAFT SHIM T=0.12	AR	AR	AR	AR	AR				
	09019-40030				PLATE, CAMSHAFT SHIM T=0.14	AR	AR	AR	AR	AR				
	09019-40040				PLATE, CAMSHAFT SHIM T=0.16	AR	AR	AR	AR	AR				
	09019-40050				PLATE, CAMSHAFT SHIM T=0.18	AR	AR	AR	AR	AR				
	09019-40060				PLATE, CAMSHAFT SHIM T=0.50	AR	AR	AR	AR	AR				
	09019-40110				PLATE, CAMSHAFT SHIM T=0.30	AR	AR	AR	AR	AR				
	09019-40140				PLATE, CAMSHAFT SHIM T=1.00	AR	AR	AR	AR	AR				
	09019-40150				PLATE, CAMSHAFT SHIM T=1.50	AR	AR	AR	AR	AR				
	09019-40290				PLATE, CAMSHAFT SHIM T=2.00	AR	AR	AR	AR	AR				
1 19	09019-40400				PLATE, CAMSHAFT SHIM T=0.03	AR	AR	AR	AR	AR				
1 19	09020-10300				COVER, BEARING	1	1	1	1	1				
1 20	09020-60160				GASKET, BEARING COVER	1	1	1	1	1				A
1 21	09021-20020				RACK, CONTROL	1	1	1	1	1				
1 22	09021-50060				SCREW, RACK GUIDE	1	1	1	1	1				
1 23	09022-20070				WASHER, PIPE UNION	2	2	2	2	2				
1 24	09023-00050				PLATE SET, LOCK	2	2	2	2	2				
1 25	94914-02570				O-RING	4	4	4	4	4				A
1 26	09025-10010				WASHER, DRAIN UNION	2	2	2	2	2				
1 27	09027-01460				COVER SUB ASSY, INJ	1	1	1	1	1				
1 28	09024-30030				PACKING, AIR BLEEDER	2	2	2	2	2				A
1 29	09027-60030				SCREW	2	2	2	2	2				A
1 30	09027-50182				COVER, PLATE	1	1	1	1	1				
1 31	09027-20210				GASKET, COVER PLATE	1	1	1	1	1				A
1 32	09031-10010				PLATE, TAPPET SHIM T=0.60	AR	AR	AR	AR	AR				
1 32	09031-10020				PLATE, TAPPET SHIM T=0.70	AR	AR	AR	AR	AR				
1 32	09031-10030				PLATE, TAPPET SHIM T=0.80	AR	AR	AR	AR	AR				
	09031-10040				PLATE, TAPPET SHIM T=0.90	AR	AR	AR	AR	AR				
	09031-10050				PLATE, TAPPET SHIM T=1.00	AR	AR	AR	AR	AR				
	09031-10060				PLATE, TAPPET SHIM T=1.10	AR	AR	AR	AR	AR				
	09031-10070				PLATE, TAPPET SHIM T=1.20	AR	AR	AR	AR	AR				
	09031-10080				PLATE, TAPPET SHIM T=1.30	AR	AR	AR	AR	AR				

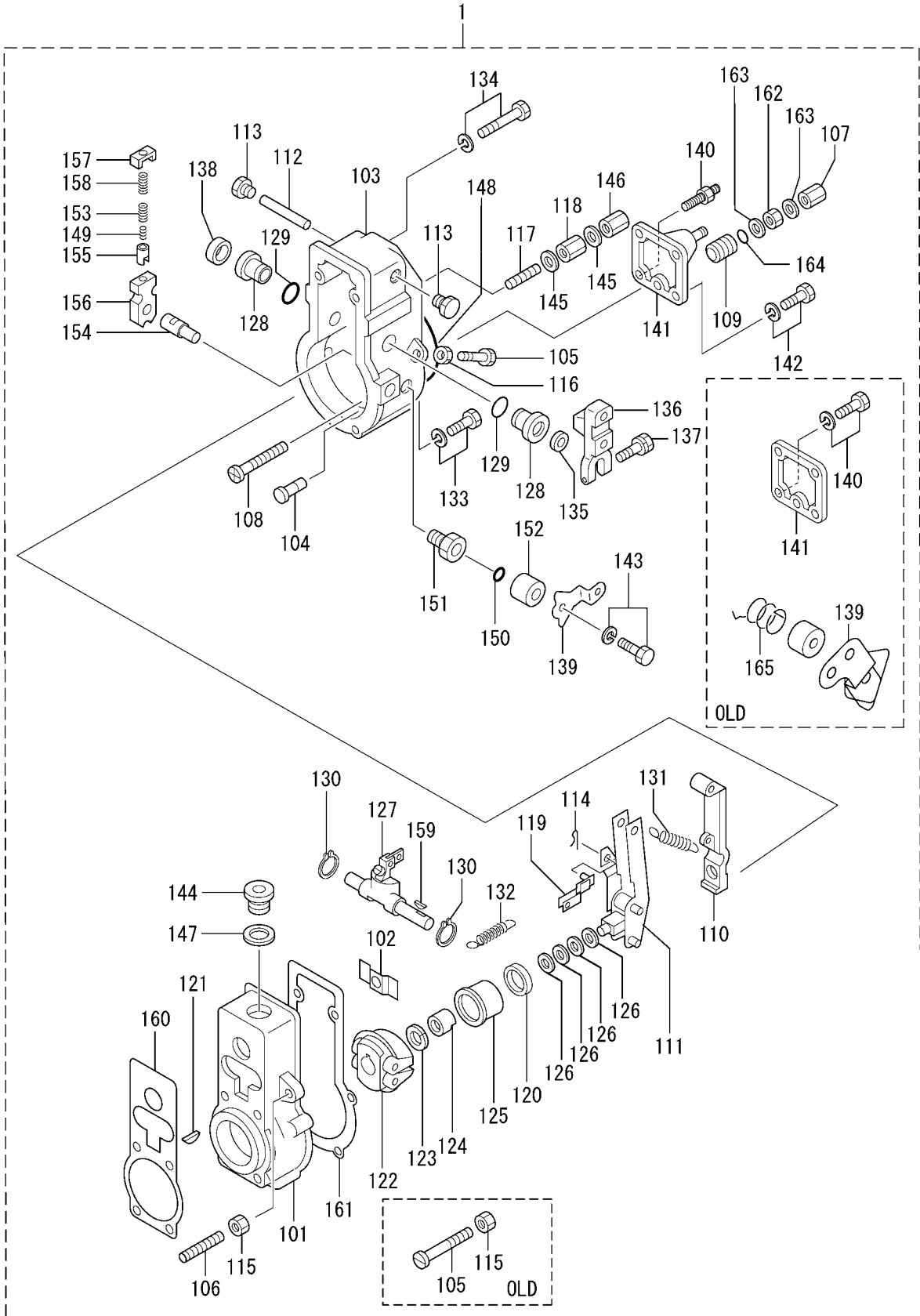
65-01-03 INJECTION PUMP



65-01-03 INJECTION PUMP

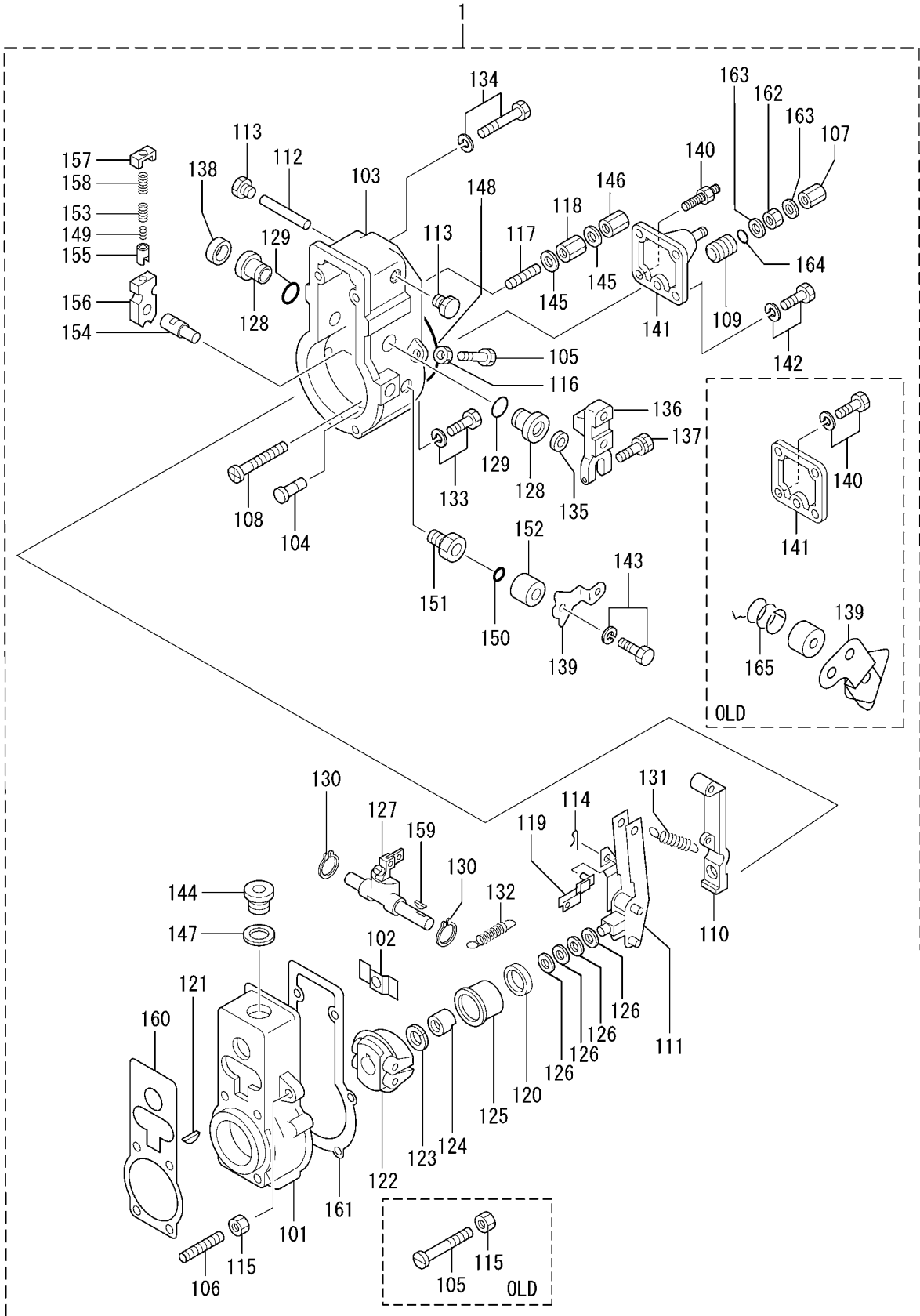
REF. -NO.	PART NO.	R / P	S E Q G	PART NAME & DESCRIPTION	MODEL & QTY					APPLICABLE SERIAL NO.		M / R	V R D
					61S	Y16	Y26	Y36	Z26	FROM@-	-@UPTO		
					D	2SD	2SD	2SD	1SD				
1 32	09031-10090 09031-10100 09031-10110 09031-10120 09031-10130			PLATE, TAPPET SHIM T=1.40 PLATE, TAPPET SHIM T=0.10 PLATE, TAPPET SHIM T=0.20 PLATE, TAPPET SHIM T=0.30 PLATE, TAPPET SHIM T=0.40	AR AR AR AR AR	AR AR AR AR AR	AR AR AR AR AR	AR AR AR AR AR	AR AR AR AR AR				
1 33 1 34	09031-10140 09031-10150 09031-10290 90160-06051 90258-06001			PLATE, TAPPET SHIM T=0.50 PLATE, TAPPET SHIM T=0.15 PLATE, TAPPET SHIM T=0.13 NUT, HEXAGON WASHER, SPRING	AR AR AR 3 3	AR AR AR 3 3	AR AR AR 3 3	AR AR AR 3 3	AR AR AR 3 3				A
1 35 1 36 1 37 1 38 1 39	94904-71360 94910-10120 09024-00010 09024-10010 09024-20010			BOLT, W/WASHER BEARING, ROLLER BLEEDER SUB ASSY, AIR WASHER, NIPPLE NIPPLE, AIR BLEEDER	4 2 1 1 1	4 2 1 1 1	4 2 1 1 1	4 2 1 1 1	4 2 1 1 1				A A A A
1 40 1 41 1 42 1 43 1 44	09024-30030 09024-40010 94914-00380 94918-00060 94918-00310			PACKING, AIR BLEEDER SCREW, AIR BLEEDER O-RING SCREW, HOLLOW SCREW, HOLLOW	1 1 1 1 1	1 1 1 1 1	1 1 1 1 1	1 1 1 1 1	1 1 1 1 1				A A

65-01-04 GOVERNOR
(FOR 61SD,Z261SD)



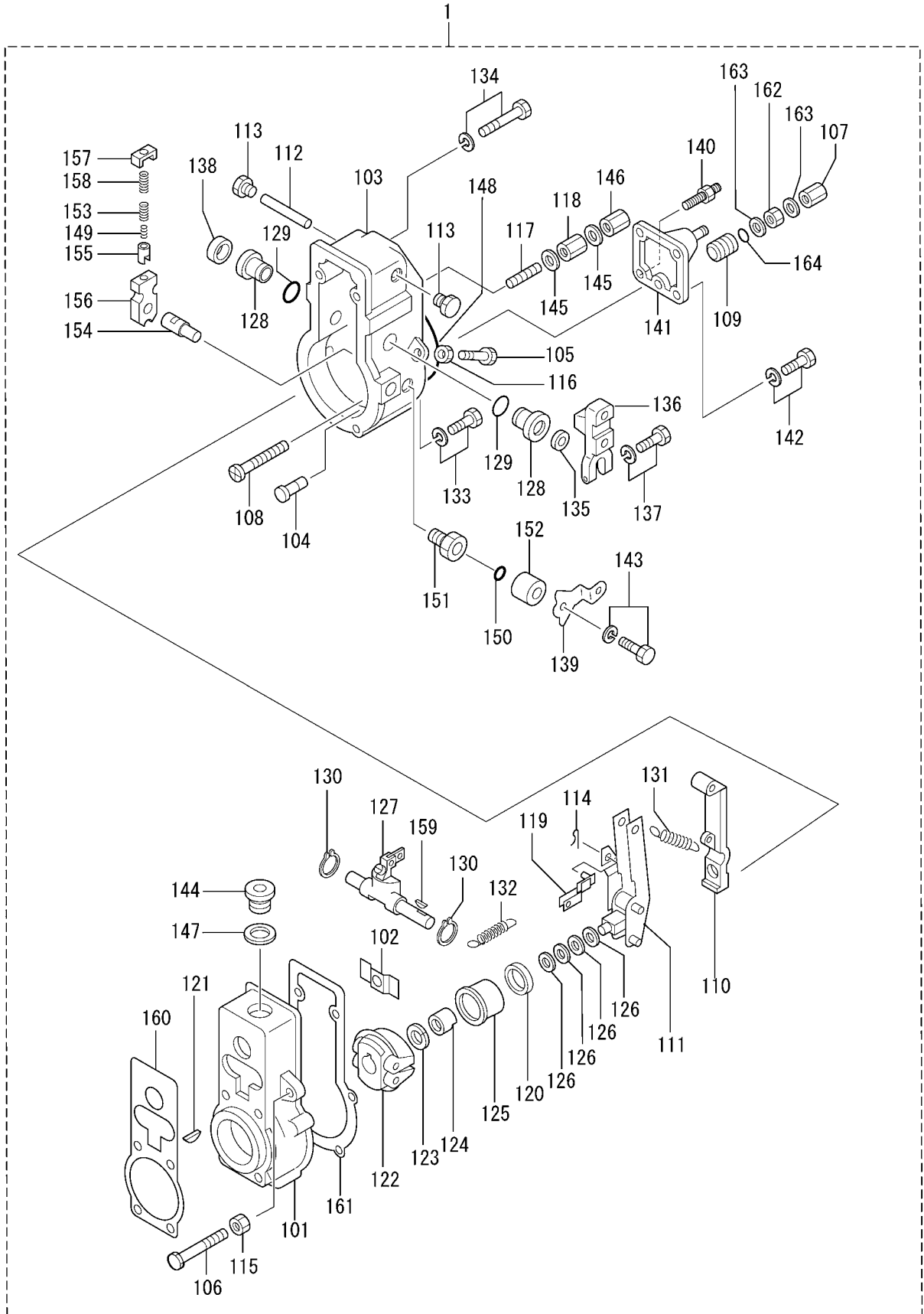
REF. -NO.	PART NO.	R / P	S E Q	C N G	PART NAME & DESCRIPTION	MODEL & QTY					APPLICABLE SERIAL NO.		M / R	V R D
						61S	Y16	Y26	Y36	Z26	FROM@-	-@UPTO		
						D	2SD	2SD	2SD	1SD				
1 01	09081-00660				GOVERNOR ASSY	1	.	.	.	1				
1 02	09087-80030				HOUSING SUB ASSY	1	.	.	.	1				
1 03	09101-11670				PLATE	1	.	.	.	1				
1 04	09101-40090				COVER, GOVERNOR	1	.	.	.	1				
1 05	09102-40031			Q	SCREW, ADJUSTING	2	.	.	.	2				
1 06	09102-40031		1	A	SCREW, ADJUSTING	1	.	.	.	1	017158@	@017157	A	
1 07	09102-40120				SCREW, ADJUSTING	1	.	.	.	1	017158@		A	
1 08	09103-10151				NUT, CAP	1	.	.	.	1				
1 08	09100-60150				SCREW, ADJUSTING	1	.	.	.	1				A
1 09	09094-40310				BUSHING	1	.	.	.	1				
1 10	09090-10150				LEVER, TENSION	1	.	.	.	1				
1 11	09093-00041				LEVER ASSY, CONTROL	1	.	.	.	1				
1 12	09098-90010				SHAFT, LEVER SUPPORT	1	.	.	.	1				
1 13	09099-10010				PLUG, SCREW	2	.	.	.	2				
1 14	90400-02101				PIN, SPLIT	1	.	.	.	1				A
1 15	94805-30051				NUT, HEXAGON W/HOLE	1	.	.	.	1				A
1 16	94805-30051				NUT, HEXAGON W/HOLE	1	.	.	.	1				A
1 17	09056-00170				CAPSULE, FULL STOP	1	.	.	.	1				
1 18	09092-30060				NUT, ADAPTER LOCK	1	.	.	.	1				
1 19	09097-00170				SHACKLE ASSY	1	.	.	.	1				
1 20	94910-00010				BEARING, BALL	1	.	.	.	1				A
1 21	94913-00050				KEY, WOODRUFF	1	.	.	.	1				
1 22	09084-00660				FLYWEIGHT ASSY	1	.	.	.	1				
1 23	94901-50500				WASHER, SPRING	1	.	.	.	1				A
1 24	09084-40010				NUT, ROUND	1	.	.	.	1				
1 25	09086-10010				SLEEVE, GOVERNOR	1	.	.	.	1				
1 26	94901-34060				WASHER, PLATE	AR	.	.	.	AR				A
	94901-34070				WASHER, PLATE	AR	.	.	.	AR				A
	94901-34080				WASHER, PLATE	AR	.	.	.	AR				A
	94901-34090				WASHER, PLATE	AR	.	.	.	AR				A
	94901-34100				WASHER, PLATE	AR	.	.	.	AR				A
1 27	09088-00140				LEVER ASSY, SWIVELING	1	.	.	.	1				
1 28	09089-20080				BUSHING, LEVER	2	.	.	.	2				
1 29	90801-20160				O-RING	2	.	.	.	2				A
1 30	94907-10090				WASHER, SNAP	2	.	.	.	2				
1 31	09099-20410				SPRING, SPEED CONTROL	1	.	.	.	1				
1 32	09099-30010				SPRING, START	1	.	.	.	1				A
1 33	94904-71760				BOLT, W/WASHER	4	.	.	.	4				A
1 34	94904-71750				BOLT, W/WASHER	2	.	.	.	2				A
1 35	94915-00210				SEAL, OIL	1	.	.	.	1				A
1 36	09107-11420				LEVER, ADJUSTING	1	.	.	.	1				
	09107-11930		R	1	LEVER, ADJUSTING	1	.	.	.	1				
1 37	94904-71190				BOLT, W/WASHER	1	.	.	.	1				A
1 38	09109-40060				CAP, LEVER	1	.	.	.	1				
1 39	09109-00750				LEVER STOP	1	.	.	.	1				
	09109-80950		R	1	LEVER STOP	1	.	.	.	1				
1 40	94904-72700				BOLT, W/WASHER	2	.	.	.	2				A
	94904-32250		R	1	BOLT, STUD	2	.	.	.	2				A
1 41	09105-10930				PLATE, COVER	1	.	.	.	1				

65-01-04 GOVERNOR
(FOR 61SD,Z261SD)



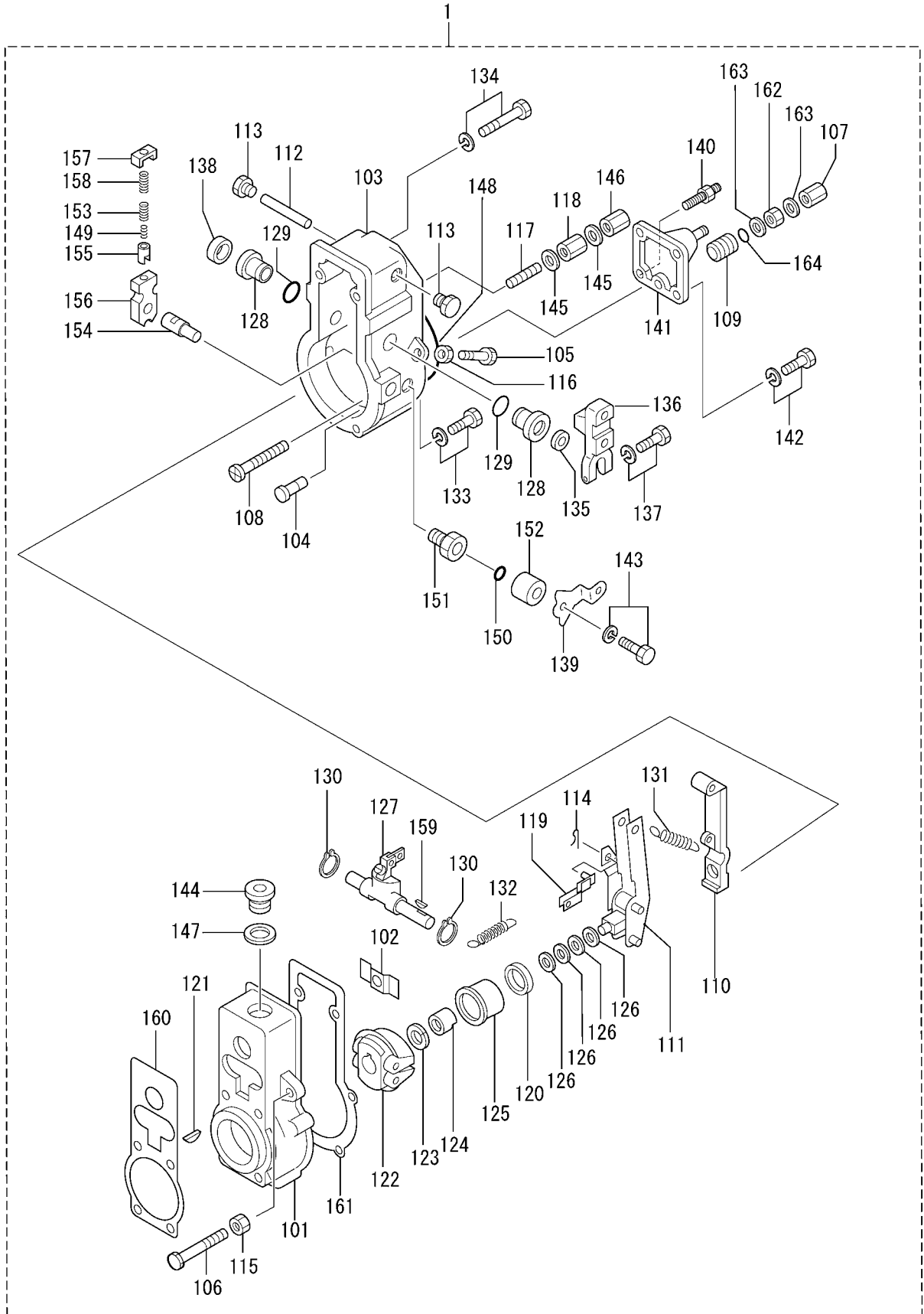
REF. -NO.	PART NO.	R / P	S E Q G	PART NAME & DESCRIPTION	MODEL & QTY					APPLICABLE SERIAL NO.		M / R	V R D
					61S D	Y16 2SD	Y26 2SD	Y36 2SD	Z26 1SD	FROM@-	-@UPTO		
1 41	09105-00491	R	1	PLATE, COVER	1	.	.	.	1				
1 42	91418-06201		C	BOLT, W/WASHER	2	.	.	.	2			A	
	94904-72701	R	1	BOLT, W/WASHER	2	.	.	.	2			A	
1 43	91418-06141			BOLT, W/WASHER	1	.	.	.	1			A	
1 44	09116-70050			PLUG, SCREW	1	.	.	.	1				
1 45	09024-10010			WASHER, NIPPLE	2	.	.	.	2			A	
1 46	09103-10030			NUT, CAP	1	.	.	.	1				
1 47	94901-81550			WASHER, COPPER PLATE	1	.	.	.	1				
1 48	94906-21270			PACKING, RUBBER PLATE	1	.	.	.	1			A	
1 49	09103-80040			SPRING	1	.	.	.	1			A	
1 50	94914-00130			O-RING	1	.	.	.	1			A	
1 51	09101-60020		C	BUSHING, BEARING	1	.	.	.	1				
	09101-60360	R	1	BUSHING, BEARING	1	.	.	.	1				
1 52	09104-30010			COVER, SPRING	1	.	.	.	1				
1 53	09103-80050			SPRING	1	.	.	.	1			A	
1 54	09103-50240			SHAFT, MECH GOVERNOR	1	.	.	.	1				
1 55	09103-60010			CUP, SPRING	1	.	.	.	1				
1 56	09103-40161			LEVER, SUPPORT	1	.	.	.	1				
1 57	09103-30030			PLATE, CAP	1	.	.	.	1				
1 58	09103-80030			SPRING	1	.	.	.	1			A	
1 59	94913-00030			KEY, WOODRUFF	1	.	.	.	1				
1 60	09082-30460			GASKET	1	.	.	.	1			A	
1 61	09082-30420			GASKET	1	.	.	.	1			A	
1 62	94905-03390			NUT, HEXAGON	1	.	.	.	1				
1 63	94901-81020			WASHER, COPPER PLATE	2	.	.	.	2				
1 64	90801-10120			O-RING	1	.	.	.	1			A	
1 65	09104-20250		D	SPRING, RETURN	1	.	.	.	1		@017157		

65-01-05 GOVERNOR (FOR Y162SD,
Y262SD, Y362SD)



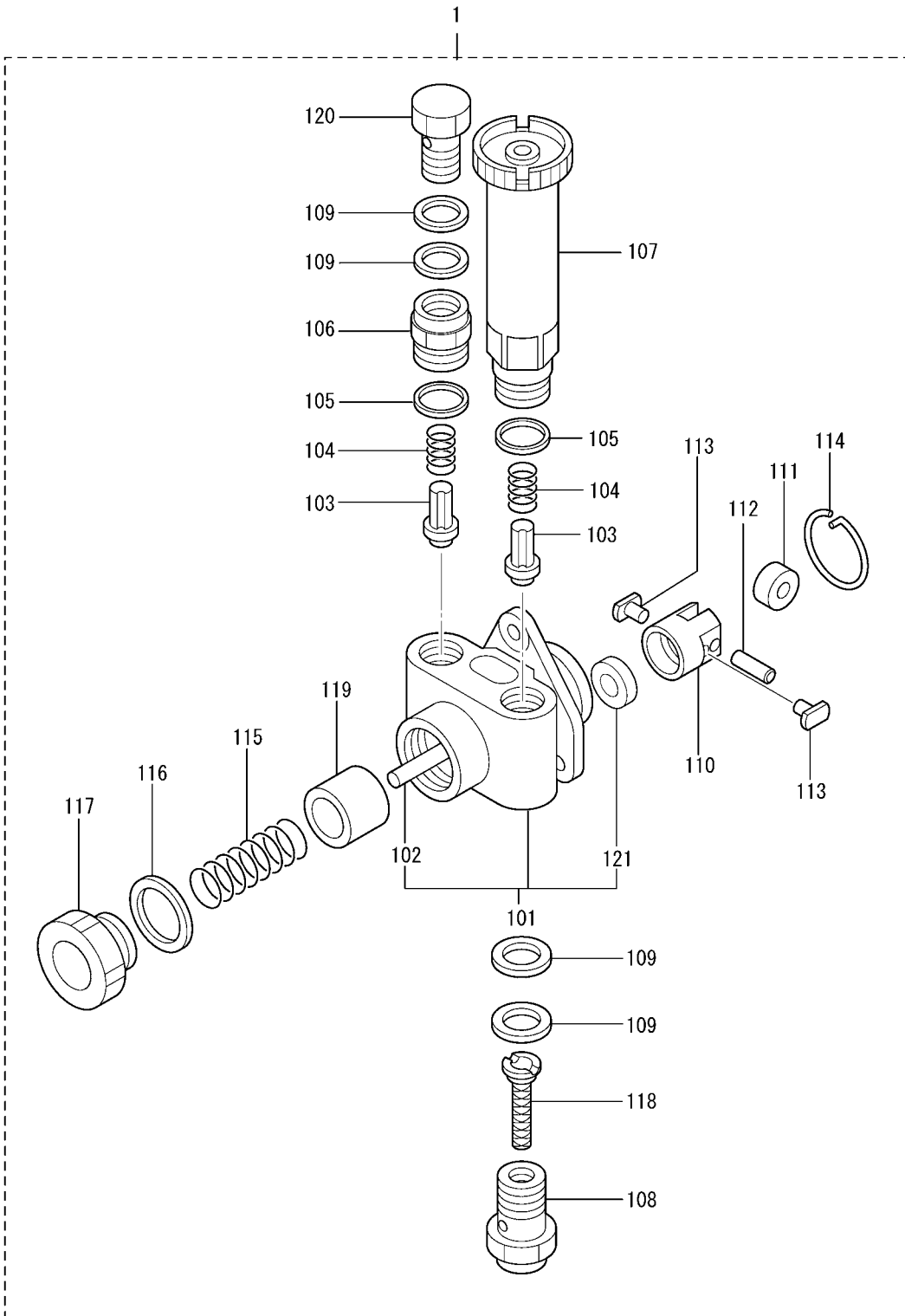
REF. -NO.	PART NO.	R / P	S E Q N G	PART NAME & DESCRIPTION	MODEL & QTY					APPLICABLE SERIAL NO.		M / R	V R D
					61S	Y16	Y26	Y36	Z26	FROM@-	-@UPTO		
					D	2SD	2SD	2SD	1SD				
1 01	09081-00660			GOVERNOR ASSY	•	1	1	1	•				
1 02	09087-80030			HOUSING SUB ASSY	•	1	1	1	•				
1 03	09101-11670			PLATE	•	1	1	1	•				
1 04	09101-40090			COVER, GOVERNOR	•	1	1	1	•				
1 05	09102-40031			PIN, STOP	•	1	1	1	•				
1 06	09102-40120			SCREW, ADJUSTING	•	1	1	1	•				A
1 07	09103-10151			SCREW, ADJUSTING	•	1	1	1	•				A
1 08	09100-60150			NUT, CAP	•	1	1	1	•				A
1 09	09094-40310			SCREW, ADJUSTING	•	1	1	1	•				A
1 10	09090-10150			BUSHING	•	1	1	1	•				
1 11	09093-00041			LEVER, TENSION	•	1	1	1	•				
1 12	09098-90010			LEVER ASSY, CONTROL	•	1	1	1	•				
1 13	09099-10010			SHAFT, LEVER SUPPORT	•	1	1	1	•				
1 14	90400-02101			PLUG, SCREW	•	2	2	2	•				A
1 15	90400-02101			PIN, SPLIT	•	1	1	1	•				A
1 16	90190-08051			NUT, HEXAGON	•	1	1	1	•				A
1 17	94805-30051			NUT, HEXAGON W/HOLE	•	1	1	1	•				A
1 18	09056-00170			CAPSULE, FULL STOP	•	1	1	1	•				
1 19	09092-30060			NUT, ADAPTER LOCK	•	1	1	1	•				
1 20	09097-00170			SHACKLE ASSY	•	1	1	1	•				
1 21	94910-00010			BEARING, BALL	•	1	1	1	•				A
1 22	94913-00050			KEY, WOODRUFF	•	1	1	1	•				
1 23	09084-00660			FLYWEIGHT ASSY	•	1	1	1	•				
1 24	94901-50500			WASHER, SPRING	•	1	1	1	•				A
1 25	09086-10010			NUT, ROUND	•	1	1	1	•				
1 26	94901-34060			SLEEVE, GOVERNOR	•	1	1	1	•				A
	94901-34070			WASHER, PLATE	•	AR	AR	AR	•				A
	94901-34080			WASHER, PLATE	•	AR	AR	AR	•				A
	94901-34090			WASHER, PLATE	•	AR	AR	AR	•				A
1 27	94901-34100			WASHER, PLATE	•	AR	AR	AR	•				A
1 28	09088-00140			LEVER ASSY, SWIVELING	•	1	1	1	•				
1 29	09089-20080			BUSHING, LEVER	•	2	2	2	•				
1 30	90801-20160			O-RING	•	2	2	2	•				A
1 31	94907-10090			WASHER, SNAP	•	2	2	2	•				
1 32	09099-20410			SPRING, SPEED CONTROL	•	1	1	1	•				
1 33	09099-30010			SPRING, START	•	1	1	1	•				A
1 34	94904-71760			BOLT, W/WASHER	•	4	4	4	•				A
1 35	94904-71750			BOLT, W/WASHER	•	2	2	2	•				A
1 36	94915-00210			SEAL, OIL	•	1	1	1	•				A
1 37	09107-11930			LEVER, ADJUSTING	•	1	1	1	•				
1 38	94904-71190			BOLT, W/WASHER	•	1	1	1	•				A
1 39	09109-40060			CAP, LEVER	•	1	1	1	•				
1 40	09109-80950			LEVER STOP	•	1	1	1	•				
1 41	94904-32250			BOLT, STUD	•	2	2	2	•				A
1 42	09105-00491			PLATE, COVER	•	1	1	1	•				
1 43	94904-72701			BOLT, W/WASHER	•	2	2	2	•				A
1 44	91418-06141			BOLT, W/WASHER	•	1	1	1	•				A
1 45	09116-70050			PLUG, SCREW	•	1	1	1	•				
1 46	09024-10010			WASHER, NIPPLE	•	2	2	2	•				A

65-01-05 GOVERNOR (FOR Y162SD,
Y262SD, Y362SD)

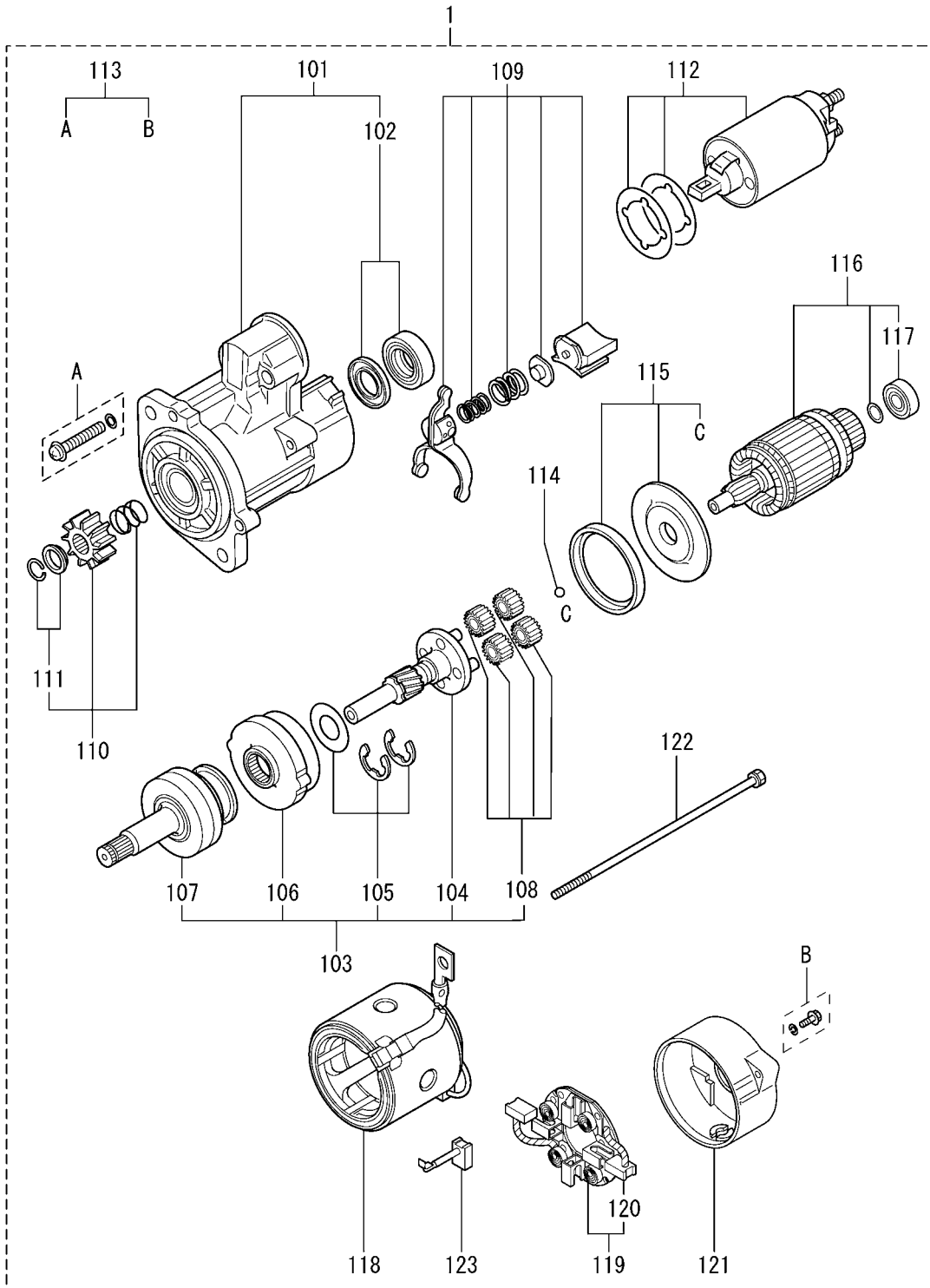


REF. -NO.	PART NO.	R / P	S E N G	PART NAME & DESCRIPTION	MODEL & QTY					APPLICABLE SERIAL NO.		M / R	V R D
					61S D	Y16 2SD	Y26 2SD	Y36 2SD	Z26 1SD	FROM@-	-@UPTO		
1 46	09103-10030			NUT, CAP	•	1	1	1	•				
1 47	94901-81550			WASHER, COPPER PLATE	•	1	1	1	•				
1 48	94906-21270			PACKING, RUBBER PLATE	•	1	1	1	•				
1 49	09103-80040			SPRING	•	1	1	1	•			A	
1 50	94914-00130			O-RING	•	1	1	1	•			A	
1 51	09101-60360			BUSHING, BEARING	•	1	1	1	•				
1 52	09104-30010			COVER, SPRING	•	1	1	1	•				
1 53	09103-80050			SPRING	•	1	1	1	•			A	
1 54	09103-50240			SHAFT, MECH GOVERNOR	•	1	1	1	•				
1 55	09103-60010			CUP, SPRING	•	1	1	1	•				
1 56	09103-40161			LEVER, SUPPORT	•	1	1	1	•				
1 57	09103-30030			PLATE, CAP	•	1	1	1	•				
1 58	09103-80030			SPRING	•	1	1	1	•			A	
1 59	94913-00030			KEY, WOODRUFF	•	1	1	1	•				
1 60	09082-30460			GASKET	•	1	1	1	•			A	
1 61	09082-30420			GASKET	•	1	1	1	•			A	
1 62	94905-03390			NUT, HEXAGON	•	1	1	1	•				
1 63	94901-81020			WASHER, COPPER PLATE	•	2	2	2	•				
1 64	90801-10120			O-RING	•	1	1	1	•			A	

65-01-06 FEED PUMP

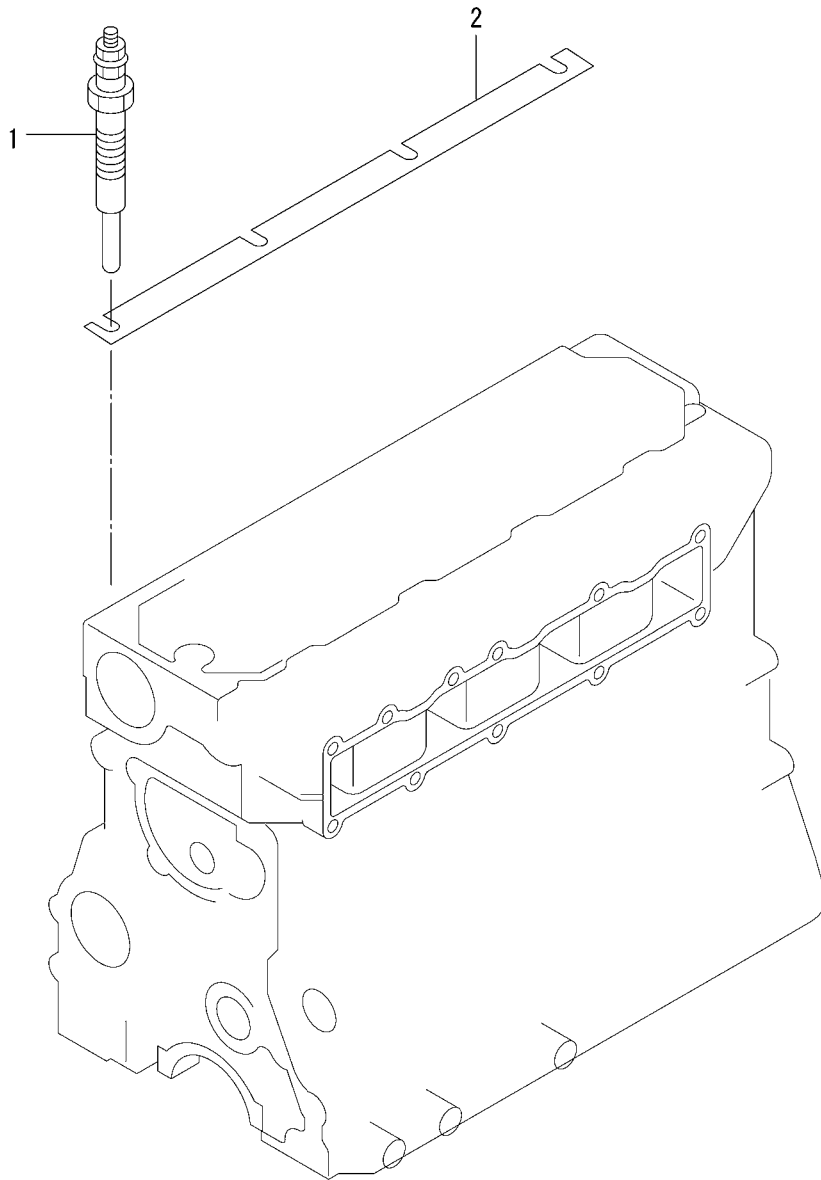


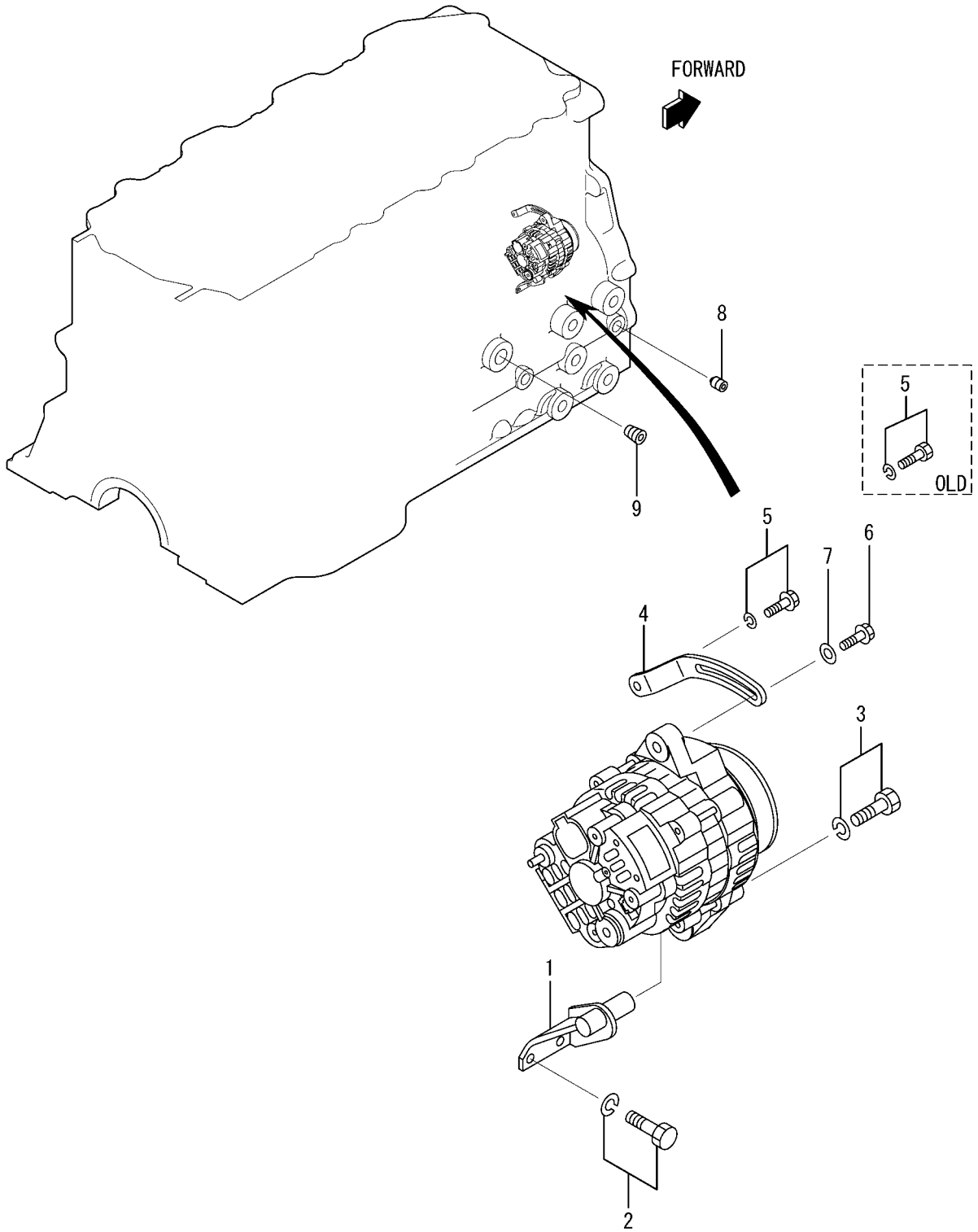
REF. -NO.	PART NO.	R / P	S E N G	PART NAME & DESCRIPTION	MODEL & QTY					APPLICABLE SERIAL NO.		M / R	V R D
					61S	Y16	Y26	Y36	Z26	FROM@-	-@UPTO		
					D	2SD	2SD	2SD	1SD				
1	34461-09050			PUMP ASSY, FEED	1	1	1	1	1				
1 01	09212-00161			HOUSING SUB ASSY	1	1	1	1	1				
1 02	09216-80150			ROD, PUSH	1	1	1	1	1				
1 03	09212-10011			VALVE, CHECK	2	2	2	2	2				
1 04	09212-40010			SPRING, VALVE CHECK	2	2	2	2	2				A
1 05	09212-50010			GASKET, PLUG CHAMBER	2	2	2	2	2				A
1 06	09212-70010			SUPPORT, VALVE	1	1	1	1	1				
1 07	09213-00220			PUMP S/ASSY, PRIMING	1	1	1	1	1				
1 08	09222-30070			SCREW, PIPE HOLLOW	1	1	1	1	1				
1 09	09022-20070			WASHER, PIPE UNION	4	4	4	4	4				
1 10	09217-40030			TAPPET, FEED PUMP	1	1	1	1	1				
1 11	09217-60010			ROLLER, TAPPET	1	1	1	1	1				
1 12	09217-80010			PIN, TAPPET ROLLER	1	1	1	1	1				A
1 13	09217-90050			BLOCK, TAPPET SLIDING	2	2	2	2	2				
1 14	94907-20940			RING, SNAP	1	1	1	1	1				A
1 15	09218-20020			SPRING, PISTON	1	1	1	1	1				
1 16	94901-81240			WASHER, COPPER PLATE	1	1	1	1	1				
1 17	09218-40021			PLUG, PISTON CHAMBER	1	1	1	1	1				
1 18	09222-00040			FILTER, FEED PUMP	1	1	1	1	1				
1 19	09217-10011			PISTON, FEED PUMP	1	1	1	1	1				
1 20	94918-00310			SCREW, HOLLOW	1	1	1	1	1				
1 21	94915-02700			SEAL, OIL	1	1	1	1	1				



PART WITHOUT REF. NO. WILL NOT BE SUPPLIED.

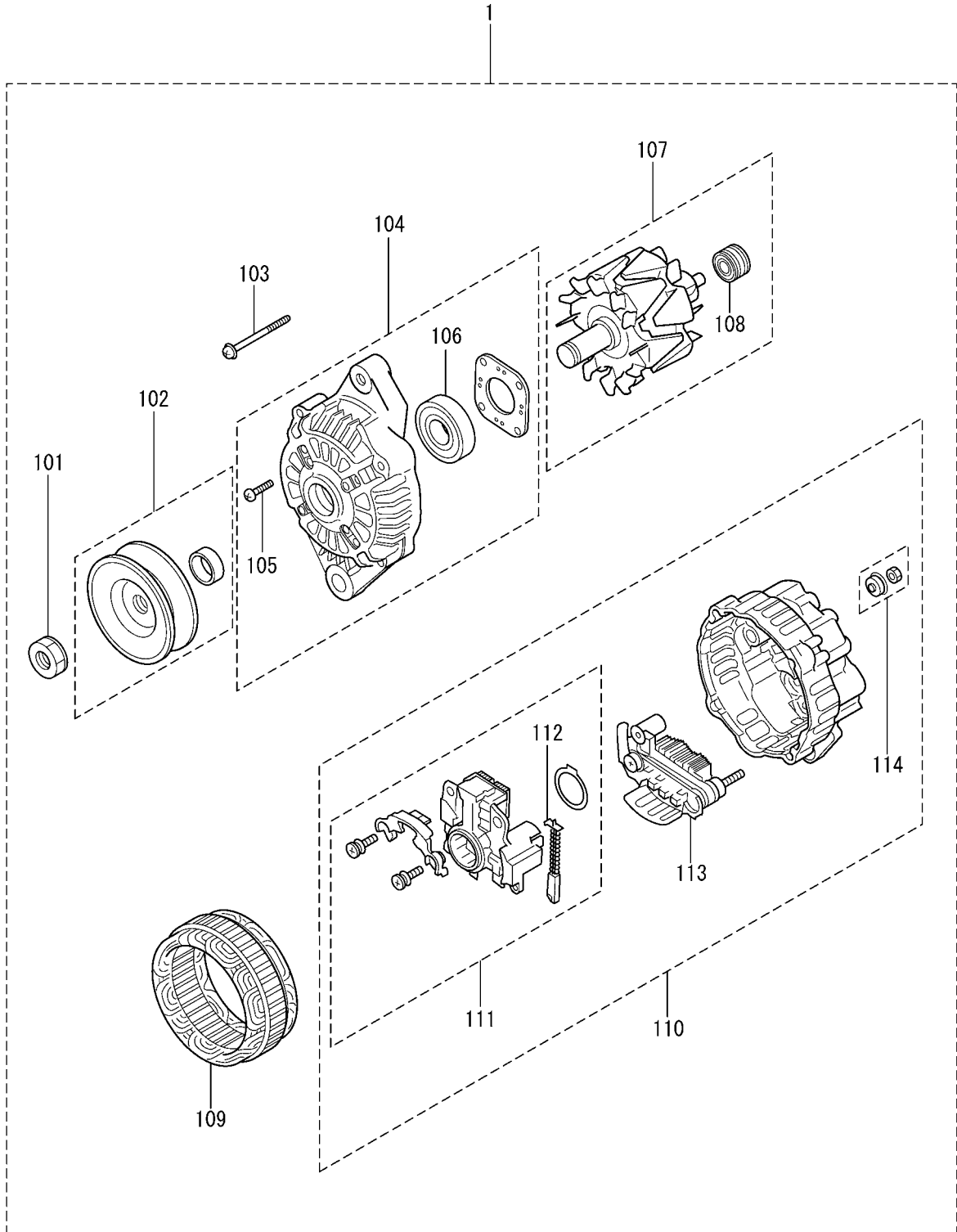
REF. -NO.	PART NO.	R / P	S E Q G	PART NAME & DESCRIPTION	MODEL & QTY					APPLICABLE SERIAL NO.		M / R D
					61S	Y16	Y26	Y36	Z26	FROM@-	-@UPTO	
					D	2SD	2SD	2SD	1SD			
1	32A66-20601			STARTER ASSY	1	1	1	1	1			
1 01	M641X-B1574			BRACKET ASSY,FRONT	1	1	1	1	1			
1 02	M690X-00572			BEARING SET	1	1	1	1	1			A
1 03	M357X-91874			SHAFT ASSY,CLUTCH	1	1	1	1	1			
1 04	M357X-66185			SHAFT ASSY,GEAR	1	1	1	1	1			
1 05	47X11-02204			WASHER SET	1	1	1	1	1			A
1 06	47X11-02205			GEAR ASSY, INTERNAL	1	1	1	1	1			
1 07	M191X-67685			CLUTCH,OVER RUNNING	1	1	1	1	1			
1 08	M230X-00671			GEAR ASSY	4	4	4	4	4			
1 09	M863X-08673			LEVER ASSY	1	1	1	1	1			
1 10	M605X-96571			PINION SET	1	1	1	1	1			
1 11	47X11-02210			STOPPER SET	1	1	1	1	1			
1 12	M372X-07671			SWITCH ASSY	1	1	1	1	1			
1 13	47X11-02212			SCREW SET	1	1	1	1	1			A
1 14	47X11-02213			BALL	1	1	1	1	1			A
1 15	47X11-02214			PACKING SET	1	1	1	1	1			A
1 16	47X11-02215			ARMATURE SET	1	1	1	1	1			
1 17	47X11-02216			BEARING	1	1	1	1	1			A
1 18	M800X-73871			YOKE ASSY	1	1	1	1	1			
1 19	47X11-02218			HOLDER ASSY,BRUSH	1	1	1	1	1			
1 20	47X11-02219			SPRING,BRUSH	4	4	4	4	4			A
1 21	M642X-35671			BRACKET ASSY,REAR	1	1	1	1	1			
1 22	M901X-00371			BOLT SET	1	1	1	1	1			A
1 23	47X11-02222			BRUSH	2	2	2	2	2			A





REF. -NO.	PART NO.	R / P	S E N G Q	PART NAME & DESCRIPTION	MODEL & QTY					APPLICABLE SERIAL NO.		M / R D
					61S	Y16	Y26	Y36	Z26	FROM@-	-@UPTO	
					D	2SD	2SD	2SD	1SD			
1	32C68-00100		C	BRACKET, ALTERNATOR	1	1	.	.	.			
2	32C68-00101	R	1	BRACKET, ALTERNATOR	1	1	1	1	1			A
3	MF241280			BOLT, W/WASHER	2	2	2	2	2			A
4	MF241286			BOLT, W/WASHER	1	1	1	1	1			A
5	32C68-01100		C	PLATE, ADJUSTING	1	1	.	.	.			
6	32C68-01101	R	1	PLATE, ADJUSTING	1	1	1	1	1			A
7	MF240053		C	BOLT, W/WASHER	1	1	1	.	1			A
8	32A13-02700	R	1	BOLT, FLANGE	1	1	1	1	1			A
9	MF140026			BOLT, FLANGE	1	1	1	1	1			A
	MD001521			WASHER	1	1	1	1	1			A
8	MS661140			PLUG, TAPERED	1	1	1	1	1			A
9	MS661142			PLUG, TAPERED	1	1	1	1	1			A

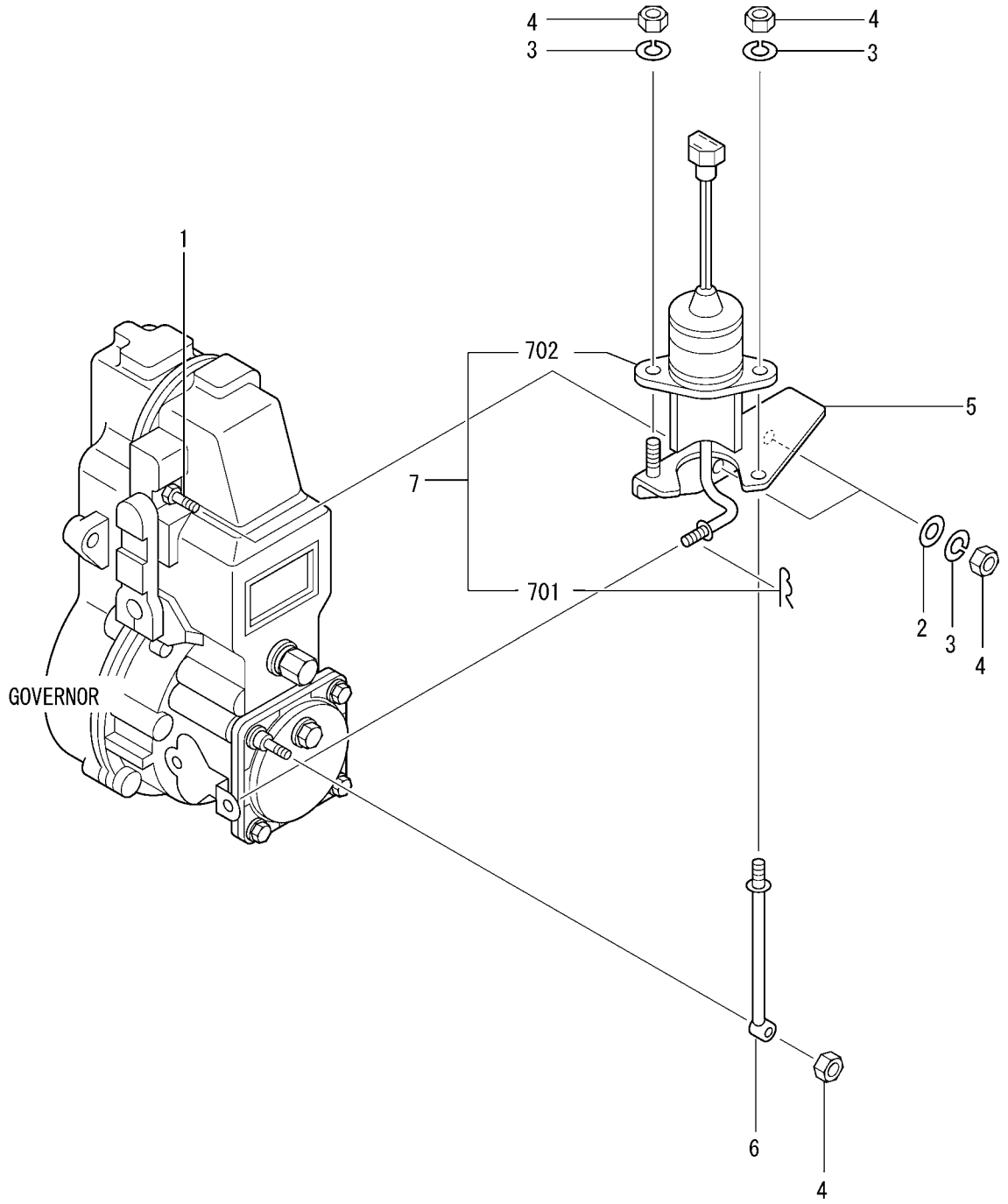
68-00-02 ALTERNATOR (12V-50A)



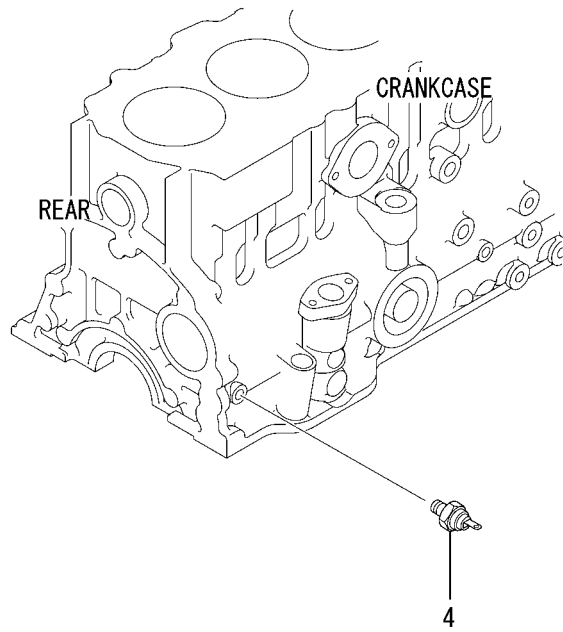
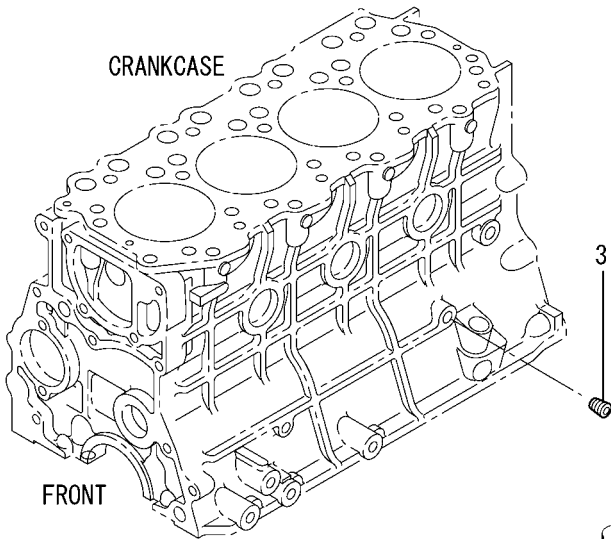
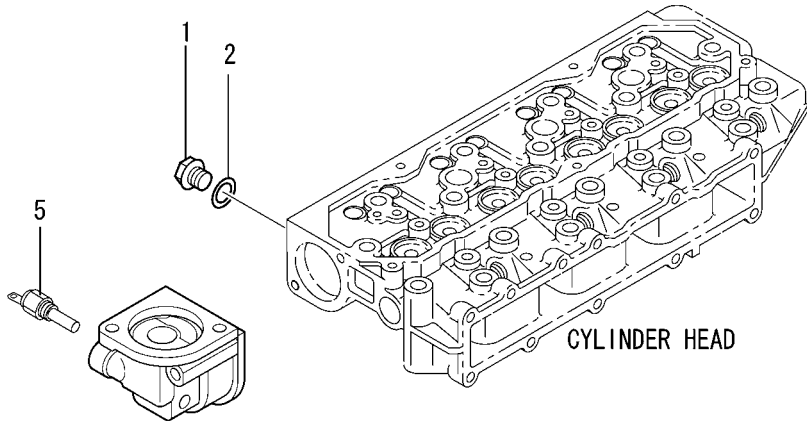
PART WITHOUT REF. NO. WILL NOT BE SUPPLIED.

68-00-02 ALTERNATOR (12V-50A)

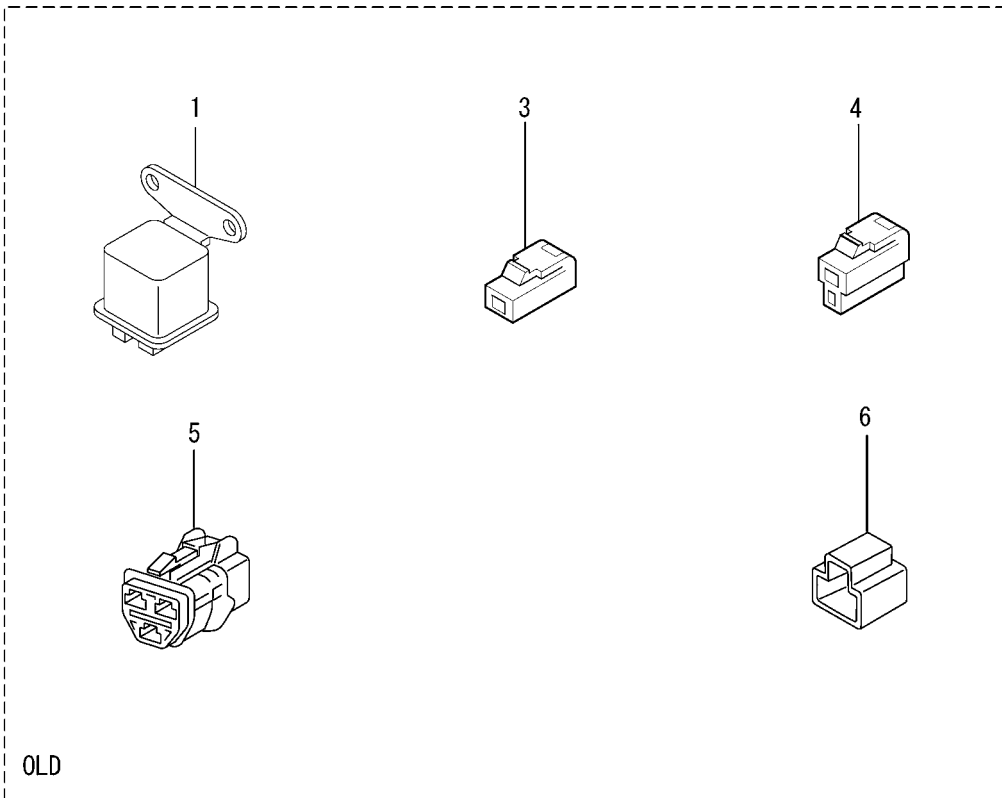
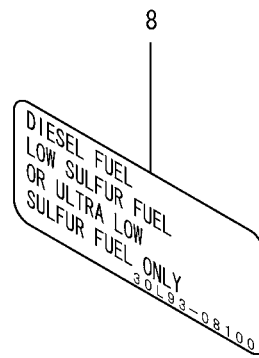
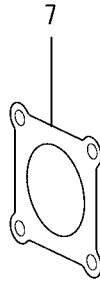
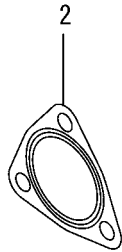
REF. -NO.	PART NO.	R / P	S E N G	C	PART NAME & DESCRIPTION	MODEL & QTY					APPLICABLE SERIAL NO.		M / R	V R D	
						61S	Y16	Y26	Y36	Z26	FROM@-	-@UPTO			
						D	2SD	2SD	2SD	1SD					
1	32A68-00301	R	1	C	ALTERNATOR ASSY	1	1	•	•	•					
	32A68-00302				C	ALTERNATOR ASSY	1	1	1	1	1				
1 01	MM502565						NUT	1	1	1	1	1			
1 02	MM502579						PULLEY ASSY	1	1	1	1	1			
1 03	MM502566						BOLT SET	1	1	1	1	1			A
1 04	MM502567	R	1	C	BRACKET ASSY, FRONT	1	1	•	•	•					
	47X11-02305				C	BRACKET ASSY, FRONT	1	1	1	1	1				
1 05	MM502568						SCREW SET	1	1	1	1	1			A
1 06	MM502569				C	BEARING, FRONT	1	1	•	•	•				A
	47X11-02295	R	1		BEARING, FRONT	1	1	1	1	1			A		
1 07	MM502570	R	1	C	ROTOR ASSY	1	1	•	•	•					
	47X11-02311				C	ROTOR ASSY	1	1	1	1	1				
1 08	MM502571						BEARING, REAR	1	1	1	1	1			A
1 09	MM502572	R	1	C	STATOR ASSY	1	1	•	•	•					
	47X11-02312				C	STATOR ASSY	1	1	1	1	1				
1 10	MM502586	R	1	C	BRACKET ASSY, REAR	1	1	•	•	•					
	47X11-02313				C	BRACKET ASSY, REAR	1	1	1	1	1				
1 11	MM502585	R	1	C	REGULATOR SET	1	1	•	•	•					
	47X11-02304				C	REGULATOR SET	1	1	1	1	1				
1 12	MM502577						BRUSH SET	2	2	2	2	2			
1 13	MM502574				RECTIFIER ASSY	1	1	1	1	1					
1 14	47X11-01800						NUT SET	1	1	1	1	1			A



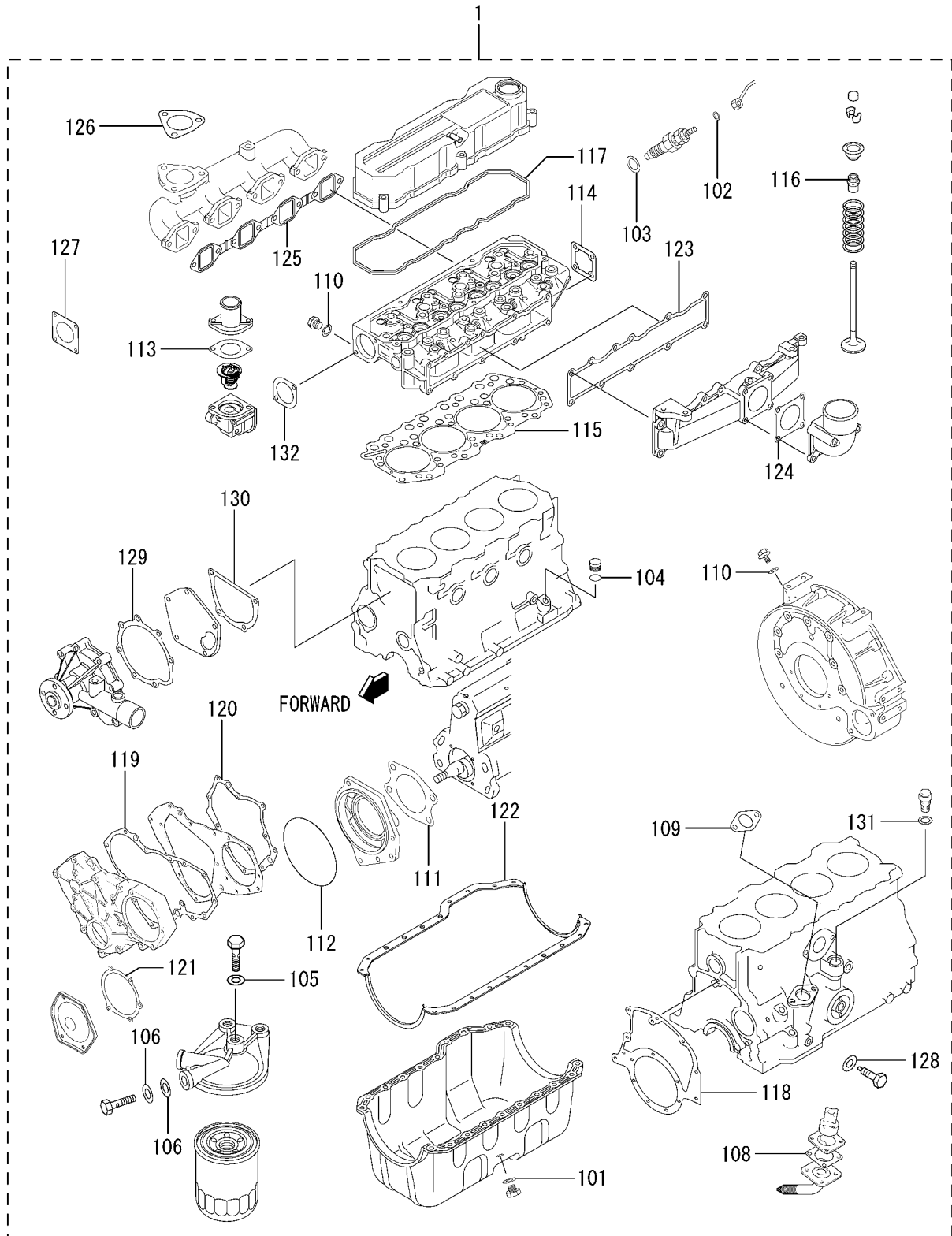
REF. -NO.	PART NO.	R / P	S E Q	C N G	PART NAME & DESCRIPTION	MODEL & QTY					APPLICABLE SERIAL NO.		M / R	V R D
						61S	Y16	Y26	Y36	Z26	FROM@-	-@UPTO		
						D	2SD	2SD	2SD	1SD				
1	34287-02602	R	1	C	ROD, SOLENOID	2	2	2	2	2			A	A
2	34287-02603				ROD, SOLENOID	2	2	2	2	2				
3	F2500-06000				WASHER, PLAIN	2	2	2	2	2				
4	F2515-06000				WASHER, SPRING	4	4	4	4	4				
4	F2300-06000				NUT, LOCK	5	5	5	5	5				
5	32A87-05300	1	1	C	BRACKET	1	1	1	1	1			A	
6	32A87-05400				ROD, SUPPORT	1	1	1	1	1				
7	*				SOLENOID ASSY	1	1	.	.	.				
7 01	32A87-17010				SOLENOID ASSY	1	1	1	1	1				
7 01	32A87-05500				CLIP	1	1	1	1	1				
7 02	*	1	1	C	SOLENOID	1	1	.	.	.				
	32A87-15100				SOLENOID	1	1	1	1	1				



REF. -NO.	PART NO.	R / P	S E N G C	PART NAME & DESCRIPTION	MODEL & QTY					APPLICABLE SERIAL NO.		M / R	V R D
					61S	Y16	Y26	Y36	Z26	FROM@-	-@UPTO		
					D	2SD	2SD	2SD	1SD				
1	MM316248			PLUG, DRAIN	1	1	1	1	1				
2	30636-25901			GASKET	1	1	1	1	1				A
3	MS661140			PLUG, TAPERED	1	1	1	1	1				A
4	30690-51301		C	SWITCH, OIL PRESSURE	1				
	31A90-00500	R	1	SWITCH, OIL PRESSURE	1	1	1	1	1				
5	MC880901			UNIT, OVER HEAT	1	1	1	1	1				



REF. -NO.	PART NO.	R / P	S E N G	PART NAME & DESCRIPTION	MODEL & QTY					APPLICABLE SERIAL NO.		M / R	V R D
					61S	Y16	Y26	Y36	Z26	FROM@-	-@UPTO		
					D	2SD	2SD	2SD	1SD				
1	MM431-28201		D	RELAY, GLOW	1				
2	32C32-02100			GASKET, EXHAUST	1	1	1	1	1		-024715		A
3	MS800516		D	CONNECTOR	2		-024715		
4	MB084014		D	CONNECTOR(1P)	2		-024715		
5	30A87-00600		D	CONNECTOR(3P)	2		-024715		
6	30A87-01600		D	CONNECTOR(4P)	2				
7	32C30-01200		A	GASKET	1	1	1	1	1	024716-			A
8	30L93-08100		A	LABEL, FUEL INLET	.	.	.	1	.	070422-			



REF. -NO.	PART NO.	R / P	S E Q	C N G	PART NAME & DESCRIPTION	MODEL & QTY					APPLICABLE SERIAL NO.		M / R	V R D
						61S	Y16	Y26	Y36	Z26	FROM@-	-@UPTO		
						D	2SD	2SD	2SD	1SD				
1	32C94-00052	3	1	C	GASKET KIT, OVERHAUL	E0-00	1	1	•	•	•	@041750	A	
	32C94-10050				GASKET KIT, OVERHAUL	E0-01	1	1	1	•	1			
	32C94-10051				GASKET KIT, OVERHAUL	E0-02	1	1	1	1	1			
1 01	F4202-14000				GASKET, DRAIN PLUG		1	1	1	1	1			
1 02	MD068355				GASKET, FUEL RETURN		4	4	4	4	4			
1 03	MD070717				GASKET, HOLDER		4	4	4	4			A	
1 04	05507-10110				O-RING		2	2	2	2			A	
1 05	05946-00801				WASHER, SEALING		1	1	1	1			A	
1 06	05946-01401				WASHER, SEALING		10	10	10	10			A	
1 07	06016-13120				O-RING	NOT SHOWN	1	1	1	1			A	
1 08	30436-22401				GASKET, STRAINER		1	1	1	1			A	
1 09	30625-50502				GASKET, TACHO DRIVE		1	1	1	1			A	
1 10	30636-25901				GASKET, DRAIN PLUG		2	2	2	2			A	
1 11	30661-51300				GASKET, INJ PUMP		1	1	1	1			A	
1 12	31361-01300				O-RING, INJ PUMP		1	1	1	1			A	
1 13	32A46-01400				GASKET, THERMOSTAT		1	1	1	1			A	
1 14	32C01-03100				GASKET, CYLINDER HEAD		1	1	1	1			A	
1 15	32C01-12100				GASKET, CYLINDER HEAD	E0-00, E0-01	1	1	1	•	1		A	
	32C01-12101				GASKET, CYLINDER HEAD	E0-02	1	1	1	1			A	
1 16	32C04-16500				SEAL, VALVE STEM		8	8	8	8			A	
1 17	32C04-15500				GASKET, ROCKER COVER		1	1	1	1			A	
1 18	32C07-04200				GASKET, REAR	E0-00, E0-01	1	1	1	1			A	
	32C07-04201				GASKET, REAR	E0-02	1	1	1	1			A	
1 19	*				GASKET, GEAR CASE	E0-00	1	1	•	•	•		A	
	32C11-11100				GASKET, GEAR CASE	E0-01	1	1	1	1			A	
1 20	32C11-11101				GASKET, GEAR CASE	E0-02	1	1	1	1			A	
	32C11-03100				GASKET, FRONT PLATE	E0-00	1	1	•	•	•		A	
	32C11-13100				GASKET, FRONT PLATE	E0-01	1	1	1	1			A	
	32C11-13101				GASKET, FRONT PLATE	E0-02	1	1	1	1			A	
1 21	32C11-04100				GASKET, COVER		1	1	1	1			A	
1 22	32C13-11100				GASKET, OIL PAN		1	1	1	1			A	
1 23	32C30-00500				GASKET, INLET MANF		1	1	1	1			A	
1 24	32C30-01200				GASKET, INLET PIPE		1	1	1	1			A	
1 25	32C32-10700				GASKET, EXHAUST		1	1	1	1			A	
1 26	32C32-02100				GASKET, EXHAUST		1	1	1	1			A	
1 27	32C32-03200				GASKET, MUFFLER		1	1	1	1			A	
1 28	32C35-00900				GASKET, SET BOLT		1	1	1	1			A	
1 29	32C45-00400				GASKET, WATER PUMP		1	1	1	1			A	
1 30	32C45-00500				GASKET, WATER PUMP		1	1	1	1			A	
1 31	34340-00700				GASKET, RELIEF VALVE		1	1	1	1			A	
1 32	34446-05300				GASKET, THERMO CASE		1	1	1	1			A	

NUMERICAL PARTS INDEX

PART NO.	GROUP NO.	PAGE	REF. NO.	PART NO.	GROUP NO.	PAGE	REF. NO.	PART NO.	GROUP NO.	PAGE	REF. NO.
F1035-08020	32	45	3	MD008784	04-02	13	4	MF244855	62	75	2
F1035-12035	21	37	2	MD068353	61-00-01	71	1	MF450407	21	37	3
F1450-10028	32	45	4	MD068355	61-00-01	71	2	MF522010	04-00-02	11	8 11
F1805-06020	35	47	1 11	MD068355	94	109	1 02	MH037084	62	75	1 05
F1805-06020	35	47	1 14	MD070717	61-00-01	71	3	MH037087	62	75	1 03
F1805-08020	45	55	1 01	MD070717	94	109	1 03	MM316248	01-00-01	3	3
F1805-08055	11	21	11	MD162326	40	51	1	MM316248	01-00-02	5	3
F1805-10020	65-01-01	77	8	MD603490	61-00-02	73	1 03	MM316248	12	23	3
F1825-06012	47-00-02	63	1 04	MD603491	61-00-02	73	1 03	MM316248	46	59	7
F2015-10035	65-01-01	77	4	MD603492	61-00-02	73	1 03	MM316248	90	105	1
F2300-06000	87-05	103	4	MD603493	61-00-02	73	1 03	MM430614	61-00-01	71	5
F2300-08000	65-01-01	77	6	MD603494	61-00-02	73	1 03	MM430703	61-00-01	71	4
F2300-10000	12	23	6	MD603495	61-00-02	73	1 03	MM431-28201	92	107	1
F2325-08000	04-00-01	9	8 07	MD603496	61-00-02	73	1 03	MM435-94101	61-00-02	73	1
F2325-08000	04-00-02	11	8 07	MD603497	61-00-02	73	1 03	MM501838	61-00-02	73	1 05
F2325-24000	20	33	1 01	MD603498	61-00-02	73	1 03	MM501841	61-00-02	73	1 06
F2500-06000	35	47	1 12	MD603499	61-00-02	73	1 03	MM502565	68-00-02	101	1 01
F2500-06000	87-05	103	2	MD603660	61-00-02	73	1 07	MM502566	68-00-02	101	1 03
F2515-06000	87-05	103	3	ME910325	61-00-01	71	10	MM502567	68-00-02	101	1 04
F2515-08000	65-01-01	77	7	ME910-33801	61-00-01	71	9	MM502568	68-00-02	101	1 05
F2515-10000	12	23	7	MF140026	68-00-01	99	6	MM502569	68-00-02	101	1 06
F2846-05000	07	17	7	MF140227	46	59	1 01	MM502570	68-00-02	101	1 07
F2846-08000	07	17	2 01	MF240051	05	15	4	MM502571	68-00-02	101	1 08
F2846-08000	07	17	6	MF240051	11	21	3	MM502572	68-00-02	101	1 09
F2846-10000	20	33	1 02	MF240051	13	25	3	MM502574	68-00-02	101	1 13
F2870-07022	05	15	2	MF240053	27	41	3	MM502577	68-00-02	101	1 12
F2870-07022	20	33	1 03	MF240053	68-00-01	99	5	MM502579	68-00-02	101	1 02
F3150-00700	47-00-01	61	1 04	MF240054	65-01-01	77	9	MM502585	68-00-02	101	1 11
F3202-02800	17-00-01	27	8	MF240062	46	59	4	MM502586	68-00-02	101	1 10
F3202-02800	17-00-02	29	8	MF241227	30	43	7	MM514045	61-00-02	73	1 01
F4202-14000	13	25	1 01	MF241251	01-02	7	4	MM514047	61-00-02	73	1 04
F4202-14000	94	109	1 01	MF241253	01-02	7	5	MM514048	61-00-02	73	1 02
F4202-22000	36	49	2	MF241253	30	43	3	MM514380	61-00-02	73	1 08
F4300-04701	47-00-01	61	5	MF241255	04-00-01	9	9	MS661140	07	17	4
F4300-04701	47-00-02	63	5	MF241255	04-00-02	11	8 12	MS661140	68-00-01	99	8
F4440-06300	65-01-01	77	10	MF241255	04-00-02	11	9	MS661140	90	105	3
M191X-67685	66	95	1 07	MF241256	12	23	9	MS661142	07	17	11
M230X-00671	66	95	1 08	MF241257	12	23	9	MS661142	68-00-01	99	9
M357X-66185	66	95	1 04	MF241259	48-05	67	2	MS800516	92	107	3
M357X-91874	66	95	1 03	MF241261	04-02	13	3	00434-06010	65-01-01	77	10
M372X-07671	66	95	1 12	MF241261	11	21	6	04826-21200	04-00-02	11	8 03
M605X-96571	66	95	1 10	MF241261	45	55	3	04826-21600	07	17	3
M641X-B1574	66	95	1 01	MF241262	04-02	13	3	04826-22500	01-00-01	3	2 01
M642X-35671	66	95	1 21	MF241263	11	21	7	04826-22500	01-00-02	5	2 01
M690X-00572	66	95	1 02	MF241265	11	21	10	04826-23500	07	17	2 02
M800X-73871	66	95	1 18	MF241265	45	55	4	05317-01700	47-00-01	61	4
M863X-08673	66	95	1 09	MF241268	46	59	3	05317-01700	47-00-02	63	4
M901X-00371	66	95	1 22	MF241280	23	39	5	05507-10110	13	25	5
MB084014	92	107	4	MF241280	68-00-01	99	2	05507-10110	94	109	1 04
MC880901	90	105	5	MF241282	12	23	8	05910-10039	49	69	1
MD000269	07	17	9	MF241286	68-00-01	99	3	05946-00801	62	75	1 06
MD001521	68-00-01	99	7	MF243628	61-00-01	71	6	05946-00801	94	109	1 05

NUMERICAL PARTS INDEX

PART NO.	GROUP NO.	PAGE	REF. NO.	PART NO.	GROUP NO.	PAGE	REF. NO.	PART NO.	GROUP NO.	PAGE	REF. NO.
05946-01401	62	75	1 04	09027-60030	65-01-03	81	1 29	09099-20410	65-01-05	89	1 31
05946-01401	94	109	1 06	09031-10010	65-01-03	81	1 32	09099-30010	65-01-04	85	1 32
06016-13120	12	23	12	09031-10020	65-01-03	81	1 32	09099-30010	65-01-05	89	1 32
06016-13120	94	109	1 07	09031-10030	65-01-03	81	1 32	09100-60150	65-01-04	85	1 08
09001-80081	65-01-02	79	1 04	09031-10040	65-01-03	81	1 32	09100-60150	65-01-05	89	1 08
09001-80081	65-01-02	79	2 04	09031-10050	65-01-03	81	1 32	09101-11670	65-01-04	85	1 03
09001-80081	65-01-02	79	3 04	09031-10060	65-01-03	81	1 32	09101-11670	65-01-05	89	1 03
09013-10330	65-01-03	81	1 03	09031-10070	65-01-03	81	1 32	09101-40090	65-01-04	85	1 04
09013-60020	65-01-03	81	1 04	09031-10080	65-01-03	81	1 32	09101-40090	65-01-05	89	1 04
09013-70100	65-01-03	81	1 05	09031-10090	65-01-03	83	1 32	09101-60020	65-01-04	87	1 51
09014-00660	65-01-03	81	1 06	09031-10100	65-01-03	83	1 32	09101-60360	65-01-04	87	1 51
09015-02980	65-01-03	81	1 07	09031-10110	65-01-03	83	1 32	09101-60360	65-01-05	91	1 51
09015-60010	65-01-03	81	1 08	09031-10120	65-01-03	83	1 32	09102-40031	65-01-04	85	1 05
09015-70010	65-01-03	81	1 09	09031-10130	65-01-03	83	1 32	09102-40031	65-01-05	89	1 05
09016-10330	65-01-03	81	1 10	09031-10140	65-01-03	83	1 32	09102-40120	65-01-04	85	1 06
09016-30191	65-01-03	81	1 11	09031-10150	65-01-03	83	1 32	09102-40120	65-01-05	89	1 06
09016-40090	65-01-03	81	1 12	09031-10290	65-01-03	83	1 32	09103-10030	65-01-04	87	1 46
09016-50160	65-01-03	81	1 13	09056-00170	65-01-04	85	1 17	09103-10030	65-01-05	91	1 46
09017-00070	65-01-03	81	1 14	09056-00170	65-01-05	89	1 17	09103-10151	65-01-04	85	1 07
09018-90090	65-01-03	81	1 15	09081-00660	65-01-04	85	1 01	09103-10151	65-01-05	89	1 07
09019-10081	65-01-03	81	1 16	09081-00660	65-01-05	89	1 01	09103-30030	65-01-04	87	1 57
09019-30020	65-01-03	81	1 17	09082-30420	65-01-04	87	1 61	09103-30030	65-01-05	91	1 57
09019-40010	65-01-03	81	1 18	09082-30420	65-01-05	91	1 61	09103-40161	65-01-04	87	1 56
09019-40020	65-01-03	81	1 18	09082-30460	65-01-04	87	1 60	09103-40161	65-01-05	91	1 56
09019-40030	65-01-03	81	1 18	09082-30460	65-01-05	91	1 60	09103-50240	65-01-04	87	1 54
09019-40040	65-01-03	81	1 18	09084-00660	65-01-04	85	1 22	09103-50240	65-01-05	91	1 54
09019-40050	65-01-03	81	1 18	09084-00660	65-01-05	89	1 22	09103-60010	65-01-04	87	1 55
09019-40060	65-01-03	81	1 18	09084-40010	65-01-04	85	1 24	09103-60010	65-01-05	91	1 55
09019-40110	65-01-03	81	1 18	09084-40010	65-01-05	89	1 24	09103-80030	65-01-04	87	1 58
09019-40140	65-01-03	81	1 18	09086-10010	65-01-04	85	1 25	09103-80030	65-01-05	91	1 58
09019-40150	65-01-03	81	1 18	09086-10010	65-01-05	89	1 25	09103-80040	65-01-04	87	1 49
09019-40290	65-01-03	81	1 18	09087-80030	65-01-04	85	1 02	09103-80040	65-01-05	91	1 49
09019-40400	65-01-03	81	1 18	09087-80030	65-01-05	89	1 02	09103-80050	65-01-04	87	1 53
09020-10300	65-01-03	81	1 19	09088-00140	65-01-04	85	1 27	09103-80050	65-01-05	91	1 53
09020-60160	65-01-03	81	1 20	09088-00140	65-01-05	89	1 27	09104-20250	65-01-04	87	1 65
09021-20020	65-01-03	81	1 21	09089-20080	65-01-04	85	1 28	09104-30010	65-01-04	87	1 52
09021-50060	65-01-03	81	1 22	09089-20080	65-01-05	89	1 28	09104-30010	65-01-05	91	1 52
09022-20070	65-01-03	81	1 23	09090-10150	65-01-04	85	1 10	09105-00491	65-01-04	87	1 41
09022-20070	65-01-06	93	1 09	09090-10150	65-01-05	89	1 10	09105-00491	65-01-05	89	1 41
09023-00050	65-01-03	81	1 24	09092-30060	65-01-04	85	1 18	09105-10930	65-01-04	85	1 41
09024-00010	65-01-03	83	1 37	09092-30060	65-01-05	89	1 18	09107-11420	65-01-04	85	1 36
09024-10010	65-01-03	83	1 38	09093-00041	65-01-04	85	1 11	09107-11930	65-01-04	85	1 36
09024-10010	65-01-04	87	1 45	09093-00041	65-01-05	89	1 11	09107-11930	65-01-05	89	1 36
09024-10010	65-01-05	89	1 45	09094-40310	65-01-04	85	1 09	09109-00750	65-01-04	85	1 39
09024-20010	65-01-03	83	1 39	09094-40310	65-01-05	89	1 09	09109-40060	65-01-04	85	1 38
09024-30030	65-01-03	81	1 28	09097-00170	65-01-04	85	1 19	09109-40060	65-01-05	89	1 38
09024-30030	65-01-03	83	1 40	09097-00170	65-01-05	89	1 19	09109-80950	65-01-04	85	1 39
09024-40010	65-01-03	83	1 41	09098-90010	65-01-04	85	1 12	09109-80950	65-01-05	89	1 39
09025-10010	65-01-03	81	1 26	09098-90010	65-01-05	89	1 12	09116-70050	65-01-04	87	1 44
09027-01460	65-01-03	81	1 27	09099-10010	65-01-04	85	1 13	09116-70050	65-01-05	89	1 44
09027-20210	65-01-03	81	1 31	09099-10010	65-01-05	89	1 13	09212-00161	65-01-06	93	1 01
09027-50182	65-01-03	81	1 30	09099-20410	65-01-04	85	1 31	09212-10011	65-01-06	93	1 03

NUMERICAL PARTS INDEX

PART NO.	GROUP NO.	PAGE	REF. NO.	PART NO.	GROUP NO.	PAGE	REF. NO.	PART NO.	GROUP NO.	PAGE	REF. NO.
09212-40010	65-01-06	93	1 04	30661-51300	94	109	1 11	32A66-20601	66	95	1
09212-50010	65-01-06	93	1 05	30690-51301	90	105	4	32A68-00301	68-00-02	101	1
09212-70010	65-01-06	93	1 06	30A87-00600	92	107	5	32A68-00302	68-00-02	101	1
09213-00220	65-01-06	93	1 07	30A87-01600	92	107	6	32A87-05300	87-05	103	5
09216-80150	65-01-06	93	1 02	30L07-00700	40	51	2	32A87-05400	87-05	103	6
09217-10011	65-01-06	93	1 19	30L93-08100	92	107	8	32A87-05500	87-05	103	7 01
09217-40030	65-01-06	93	1 10	31304-11700	04-00-01	9	6	32A87-15100	87-05	103	7 02
09217-60010	65-01-06	93	1 11	31304-11700	04-00-02	11	6	32A87-17010	87-05	103	7
09217-80010	65-01-06	93	1 12	31361-01300	65-01-01	77	2	32C01-01090	01-00-02	5	1
09217-90050	65-01-06	93	1 13	31361-01300	94	109	1 12	32C01-01091	01-00-02	5	1
09218-20020	65-01-06	93	1 15	31A47-03100	47-00-02	63	6	32C01-01600	01-00-01	3	2 03
09218-40021	65-01-06	93	1 17	31A47-03500	47-00-02	63	7	32C01-01600	01-00-02	5	2 03
09222-00040	65-01-06	93	1 18	31A90-00500	90	105	4	32C01-02500	01-00-01	3	5
09222-30070	65-01-06	93	1 08	32A01-01600	01-00-01	3	2 02	32C01-02500	01-00-02	5	5
19011-05060	65-01-03	81	1 01	32A01-01600	01-00-02	5	2 02	32C01-03100	01-02	7	3
30405-31402	05	15	3	32A04-02400	04-00-01	9	8 06	32C01-03100	94	109	1 14
30405-31403	05	15	3	32A04-02400	04-00-02	11	8 06	32C01-03300	01-02	7	1
30407-05600	27	41	1	32A04-02401	04-00-01	9	8 06	32C01-03301	01-02	7	1
30435-33201	35	47	1 03	32A04-02401	04-00-02	11	8 06	32C01-03400	01-02	7	2
30436-22401	35	47	1 01	32A04-04200	04-00-01	9	8 03	32C01-04200	01-00-01	3	2 05
30436-22401	94	109	1 08	32A04-04300	04-00-01	9	8 11	32C01-04200	01-00-02	5	2 05
30604-21401	04-00-01	9	3	32A05-02101	05	15	5	32C01-11040	01-00-01	3	1
30604-21401	04-00-02	11	3	32A05-13100	05	15	6	32C01-11041	01-00-01	3	1
30604-21402	04-00-01	9	3	32A07-01500	07	17	5	32C01-11042	01-00-01	3	1
30604-21402	04-00-02	11	3	32A07-01501	07	17	5	32C01-11043	01-00-01	3	1
30604-31601	04-00-01	9	4	32A07-06900	12	23	5	32C01-11044	01-00-01	3	1
30604-31601	04-00-02	11	4	32A07-17101	12	23	11	32C01-11045	01-00-01	3	1
30607-52400	07	17	2 03	32A13-02700	68-00-01	99	5	32C01-12100	01-00-01	3	6
30611-23102	11	21	8	32A19-00400	19	31	1 02	32C01-12100	94	109	1 15
30611-23103	11	21	8	32A19-09010	19	31	2	32C01-12101	01-00-01	3	6
30611-31700	11	21	12	32A19-09011	19	31	2	32C01-12101	01-00-02	5	6
30613-60600	13	25	1 02	32A19-09020	19	31	3	32C01-12101	94	109	1 15
30617-70011	17-00-01	27	4	32A19-09021	19	31	3	32C01-14100	01-00-01	3	2 04
30617-70011	17-00-02	29	4	32A19-09030	19	31	4	32C01-14101	01-00-01	3	2 04
30617-71011	17-00-01	27	5	32A19-09031	19	31	4	32C01-14101	01-00-02	5	2 04
30617-71011	17-00-02	29	5	32A19-09040	19	31	5	32C03-01400	01-00-01	3	2 07
30617-72011	17-00-01	27	6	32A19-09041	19	31	5	32C03-01700	01-00-02	5	2 07
30617-72011	17-00-02	29	6	32A36-05011	36	49	1	32C04-00022	04-00-01	9	8
30619-10501	19	31	1 01	32A36-05012	36	49	1	32C04-00100	04-00-01	9	1
30620-22500	20	33	2	32A45-02100	45-02	57	1	32C04-00100	04-00-02	11	1
30621-61300	21	37	1 01	32A46-01101	46	59	1 02	32C04-01100	04-00-01	9	2
30623-33401	23	39	3 01	32A46-01200	46	59	1 03	32C04-01100	04-00-02	11	2
30625-50502	27	41	2	32A46-01400	46	59	1 03	32C04-04500	04-00-01	9	8 10
30625-50502	94	109	1 09	32A46-01400	94	109	1 13	32C04-04501	04-00-02	11	8 10
30636-25901	01-00-01	3	4	32A46-02100	46	59	1 04	32C04-06100	04-00-01	9	8 09
30636-25901	01-00-02	5	4	32A46-03100	46	59	6	32C04-06100	04-00-02	11	8 09
30636-25901	12	23	4	32A46-10030	46	59	1 05	32C04-06101	04-00-02	11	8 09
30636-25901	46	59	8	32A47-05600	47-00-02	63	1 06	32C04-06500	04-00-01	9	7
30636-25901	90	105	2	32A47-05700	47-00-02	63	1 07	32C04-06500	04-00-02	11	7
30636-25901	94	109	1 10	32A47-06100	47-00-02	63	1 03	32C04-10100	04-00-02	11	1
30661-50802	65-01-01	77	12	32A66-03100	66-02	97	1	32C04-11100	04-00-02	11	2
30661-51300	65-01-01	77	3	32A66-03101	66-02	97	1	32C04-14602	04-00-01	9	8 08

NUMERICAL PARTS INDEX

PART NO.	GROUP NO.	PAGE	REF. NO.	PART NO.	GROUP NO.	PAGE	REF. NO.	PART NO.	GROUP NO.	PAGE	REF. NO.
32C04-15010	04-02	13	1	32C12-20102	12	23	1	32C35-30010	35	47	1
32C04-15011	04-02	13	1	32C13-00010	13	25	1	32C35-30011	35	47	1
32C04-15500	04-02	13	2	32C13-00900	13	25	6	32C35-30012	35	47	1
32C04-15500	94	109	1 17	32C13-11100	13	25	2	32C36-00100	65-01-01	77	11
32C04-16500	04-00-02	11	7	32C13-11100	94	109	1 22	32C36-10100	65-01-01	77	11
32C04-16500	94	109	1 16	32C17-04100	17-00-01	27	7	32C36-20200	35	47	1 13
32C04-21010	04-00-02	11	8 01	32C17-04100	17-00-02	29	7	32C36-30201	35	47	1 13
32C04-22010	04-00-02	11	8 04	32C17-05100	17-00-01	27	1	32C42-01300	13	25	4
32C04-25010	04-02	13	1	32C17-05200	17-00-01	27	2	32C43-00100	43	53	1
32C04-34600	04-00-02	11	8 08	32C17-05300	17-00-01	27	3	32C45-00023	45	55	1
32C05-10100	05	15	1	32C17-05400	17-00-02	29	1	32C45-00300	45	55	1 04
32C05-10101	05	15	1	32C17-05500	17-00-02	29	2	32C45-00400	45	55	1 05
32C07-04200	12	23	2	32C17-05600	17-00-02	29	3	32C45-00400	94	109	1 29
32C07-04200	94	109	1 18	32C17-15100	17-00-01	27	1	32C45-00500	45	55	2
32C07-04201	12	23	2	32C17-15200	17-00-01	27	2	32C45-00500	94	109	1 30
32C07-04201	94	109	1 18	32C17-15300	17-00-01	27	3	32C46-01500	46	59	5
32C07-11014	07	17	1	32C19-00012	19	31	1	32C47-00700	47-00-01	61	2
32C07-11015	07	17	1	32C19-01100	19	31	1 05	32C47-00800	47-00-01	61	3
32C07-11016	07	17	1	32C20-02060	20	33	1	32C47-01010	47-00-01	61	1
32C07-15501	07	17	2 11	32C20-03060	20	33	1	32C47-01100	47-00-01	61	1 07
32C07-21022	07	17	1	32C20-03061	20	33	1	32C47-05010	47-00-02	63	1
32C07-21023	07	17	1	32C20-03062	20	33	1	32C47-05100	47-00-02	63	1 08
32C07-21024	07	17	1	32C20-03101	20-02	35	1	32C47-05200	47-00-02	63	1 01
32C07-31020	07	17	1	32C20-04100	20-02	35	1	32C47-06100	47-00-02	63	2
32C07-31021	07	17	1	32C20-04101	20-02	35	1	32C47-06200	47-00-02	63	3
32C09-01010	09	19	1	32C21-02041	21	37	1	32C48-00400	48	65	1
32C09-01020	09	19	2	32C23-00300	20	33	1 05	32C48-00401	48	65	1
32C09-01030	09	19	3	32C23-03600	07	17	8	32C48-01101	48-05	67	1
32C09-01040	09	19	4	32C23-11100	23	39	1	32C48-01104	48-05	67	1
32C09-02010	09	19	1	32C23-12200	23	39	2	32C48-01105	48-05	67	1
32C09-02020	09	19	2	32C23-13010	23	39	3	32C61-01500	61-00-01	71	11
32C09-02030	09	19	3	32C30-00500	30	43	2	32C61-01501	61-00-01	71	11
32C09-02040	09	19	4	32C30-00500	94	109	1 23	32C61-01600	61-00-01	71	12
32C11-00100	11	21	4	32C30-01100	30	43	4	32C61-01601	61-00-01	71	12
32C11-02100	11	21	1	32C30-01200	30	43	5	32C61-01700	61-00-01	71	13
32C11-03100	11	21	2	32C30-01200	92	107	7	32C61-01701	61-00-01	71	13
32C11-03100	94	109	1 20	32C30-01200	94	109	1 24	32C61-01800	61-00-01	71	14
32C11-04100	11	21	9	32C30-08500	30	43	6	32C61-01801	61-00-01	71	14
32C11-04100	94	109	1 21	32C30-20010	30	43	1	32C61-03301	61-00-01	71	8
32C11-10200	11	21	4	32C30-20011	30	43	1	32C61-04100	61-00-01	71	7
32C11-11100	11	21	5	32C32-00200	32	45	1	32C61-05201	65-01-01	77	1
32C11-11100	94	109	1 19	32C32-00201	32	45	1	32C61-05202	65-01-01	77	1
32C11-11101	11	21	5	32C32-00201	32	45	5	32C61-08100	65-01-01	77	5
32C11-11101	94	109	1 19	32C32-00700	32	45	2	32C61-08101	65-01-01	77	5
32C11-12100	11	21	1	32C32-02100	92	107	2	32C61-13300	61-00-01	71	8
32C11-13100	11	21	2	32C32-02100	94	109	1 26	32C65-04010	65-01-02	79	1
32C11-13100	94	109	1 20	32C32-03200	94	109	1 27	32C65-04011	65-01-02	79	1
32C11-13101	11	21	2	32C32-10700	32	45	2	32C65-04040	65-01-02	79	2
32C11-13101	94	109	1 20	32C32-10700	94	109	1 25	32C65-04170	65-01-02	79	3
32C12-10100	12	23	1	32C35-00900	35	47	3	32C66-00101	66-02	97	2
32C12-20100	12	23	1	32C35-00900	94	109	1 28	32C68-00100	68-00-01	99	1
32C12-20101	12	23	1	32C35-01021	35	47	1 02	32C68-00101	68-00-01	99	1

NUMERICAL PARTS INDEX

PART NO.	GROUP NO.	PAGE	REF. NO.	PART NO.	GROUP NO.	PAGE	REF. NO.	PART NO.	GROUP NO.	PAGE	REF. NO.
32C68-01100	68-00-01	99	4	90258-06001	65-01-03	83	1 34	94904-72701	65-01-05	89	1 42
32C68-01101	68-00-01	99	4	90400-02101	65-01-04	85	1 14	94905-02450	65-01-02	79	1 05
32C94-00052	94	109	1	90400-02101	65-01-05	89	1 14	94905-02450	65-01-02	79	2 05
32C94-10050	94	109	1	90801-10120	65-01-04	87	1 64	94905-02450	65-01-02	79	3 05
32C94-10051	94	109	1	90801-10120	65-01-05	91	1 64	94905-03390	65-01-04	87	1 62
34120-74200	20	33	1 06	90801-20160	65-01-04	85	1 29	94905-03390	65-01-05	91	1 62
34287-02602	87-05	103	1	90801-20160	65-01-05	89	1 29	94906-21270	65-01-04	87	1 48
34287-02603	87-05	103	1	91418-06141	65-01-04	87	1 43	94906-21270	65-01-05	91	1 48
34323-00801	23	39	4	91418-06141	65-01-05	89	1 43	94907-10090	65-01-04	85	1 30
34340-00700	36	49	2	91418-06161	65-01-02	79	1 09	94907-10090	65-01-05	89	1 30
34340-00700	94	109	1 31	91418-06161	65-01-02	79	2 09	94907-20940	65-01-06	93	1 14
34404-02901	04-00-01	9	5	91418-06161	65-01-02	79	3 09	94910-00010	65-01-04	85	1 20
34404-02901	04-00-02	11	5	91418-06201	65-01-04	87	1 42	94910-00010	65-01-05	89	1 20
34407-11090	12	23	10	91518-08221	65-01-02	79	1 08	94910-10120	65-01-03	83	1 36
34435-02200	35	47	2	91518-08221	65-01-02	79	2 08	94913-00030	65-01-04	87	1 59
34435-02201	35	47	2	91518-08221	65-01-02	79	3 08	94913-00030	65-01-05	91	1 59
34446-05300	46	59	2	92301-02600	47-00-01	61	1 03	94913-00050	65-01-04	85	1 21
34446-05300	94	109	1 32	94805-30051	65-01-04	85	1 15	94913-00050	65-01-05	89	1 21
34461-09050	65-01-02	79	1 03	94805-30051	65-01-04	85	1 16	94913-00190	65-01-02	79	1 06
34461-09050	65-01-02	79	2 03	94805-30051	65-01-05	89	1 16	94913-00190	65-01-02	79	2 06
34461-09050	65-01-02	79	3 03	94901-34060	65-01-04	85	1 26	94913-00190	65-01-02	79	3 06
34461-09050	65-01-06	93	1	94901-34060	65-01-05	89	1 26	94914-00130	65-01-04	87	1 50
34462-00011	62	75	1	94901-34070	65-01-04	85	1 26	94914-00130	65-01-05	91	1 50
34462-00201	62	75	1 01	94901-34070	65-01-05	89	1 26	94914-00380	65-01-03	83	1 42
34462-00300	62	75	1 02	94901-34080	65-01-04	85	1 26	94914-02570	65-01-03	81	1 25
34547-03600	47-00-01	61	1 01	94901-34080	65-01-05	89	1 26	94915-00210	65-01-04	85	1 35
42713-30600	47-00-02	63	1 05	94901-34090	65-01-04	85	1 26	94915-00210	65-01-05	89	1 35
42786-03300	47-00-02	63	1 02	94901-34090	65-01-05	89	1 26	94915-02700	65-01-06	93	1 21
42786-03300	47-00-02	63	8	94901-34100	65-01-04	85	1 26	94918-00060	65-01-03	83	1 43
42790-01316	47-00-01	61	1 06	94901-34100	65-01-05	89	1 26	94918-00310	65-01-03	83	1 44
47X11-01800	68-00-02	101	1 14	94901-50500	65-01-02	79	1 07	94918-00310	65-01-06	93	1 20
47X11-02204	66	95	1 05	94901-50500	65-01-02	79	2 07				
47X11-02205	66	95	1 06	94901-50500	65-01-02	79	3 07				
47X11-02210	66	95	1 11	94901-50500	65-01-04	85	1 23				
47X11-02212	66	95	1 13	94901-50500	65-01-05	89	1 23				
47X11-02213	66	95	1 14	94901-81020	65-01-04	87	1 63				
47X11-02214	66	95	1 15	94901-81020	65-01-05	91	1 63				
47X11-02215	66	95	1 16	94901-81240	65-01-06	93	1 16				
47X11-02216	66	95	1 17	94901-81550	65-01-04	87	1 47				
47X11-02218	66	95	1 19	94901-81550	65-01-05	91	1 47				
47X11-02219	66	95	1 20	94904-30010	65-01-03	81	1 02				
47X11-02222	66	95	1 23	94904-32250	65-01-04	85	1 40				
47X11-02295	68-00-02	101	1 06	94904-32250	65-01-05	89	1 40				
47X11-02304	68-00-02	101	1 11	94904-71190	65-01-04	85	1 37				
47X11-02305	68-00-02	101	1 04	94904-71190	65-01-05	89	1 37				
47X11-02311	68-00-02	101	1 07	94904-71360	65-01-03	83	1 35				
47X11-02312	68-00-02	101	1 09	94904-71750	65-01-04	85	1 34				
47X11-02313	68-00-02	101	1 10	94904-71750	65-01-05	89	1 34				
54701-01400	47-00-01	61	1 05	94904-71760	65-01-04	85	1 33				
55801-01400	47-00-02	63	1 09	94904-71760	65-01-05	89	1 33				
90160-06051	65-01-03	83	1 33	94904-72700	65-01-04	85	1 40				
90190-08051	65-01-05	89	1 15	94904-72701	65-01-04	87	1 42				

TABLE OF BOLT,W/WASHER

BOLT,W/WASHER	BOLT/WASHER	BOLT,W/WASHER	BOLT/WASHER	BOLT,W/WASHER	BOLT/WASHER
F1805-06010	F1035-06010 F2515-06000	F1805-06035	F1035-06035 F2515-06000	F1805-08018	F1035-08018 F2515-08000
F1805-06012	F1035-06012 F2515-06000	F1805-06040	F1035-06040 F2515-06000	F1805-08020	F1035-08020 F2515-08000
F1805-06014	F1035-06014 F2515-06000	F1805-06045	F1035-06045 F2515-06000	F1805-08022	F1035-08022 F2515-08000
F1805-06016	F1035-06016 F2515-06000	F1805-06055	F1035-06055 F2515-06000	F1805-08025	F1035-08025 F2515-08000
F1805-06018	F1035-06018 F2515-06000	F1805-06060	F1035-06060 F2515-06000	F1805-08030	F1035-08030 F2515-08000
F1805-06020	F1035-06020 F2515-06000	F1805-08012	F1035-08012 F2515-08000	F1805-08035	F1035-08035 F2515-08000
F1805-06025	F1035-06025 F2515-06000	F1805-08014	F1035-08014 F2515-08000	F1805-08040	F1035-08040 F2515-08000
F1805-06030	F1035-06030 F2515-06000	F1805-08016	F1035-08016 F2515-08000	F1805-08045	F1035-08045 F2515-08000

TABLE OF BOLT,W/WASHER

BOLT,W/WASHER	BOLT/WASHER	BOLT,W/WASHER	BOLT/WASHER	BOLT,W/WASHER	BOLT/WASHER
F1805-08050	F1035-08050 F2515-08000	F1805-10018	F1035-10018 F2515-10000	F1805-10050	F1035-10050 F2515-10000
F1805-08055	F1035-08055 F2515-08000	F1805-10020	F1035-10020 F2515-10000	F1805-10055	F1035-10055 F2515-10000
F1805-08060	F1035-08060 F2515-08000	F1805-10022	F1035-10022 F2515-10000	F1805-10060	F1035-10060 F2515-10000
F1805-08065	F1035-08065 F2515-08000	F1805-10025	F1035-10025 F2515-10000	F1805-10065	F1035-10065 F2515-10000
F1805-08070	F1035-08070 F2515-08000	F1805-10030	F1035-10030 F2515-10000	F1805-10070	F1035-10070 F2515-10000
F1805-08075	F1035-08075 F2515-08000	F1805-10035	F1035-10035 F2515-10000	F1805-10085	F1035-10085 F2515-10000
F1805-10014	F1035-10014 F2515-10000	F1805-10040	F1035-10040 F2515-10000	F1805-12016	F1035-12016 F2515-12000
F1805-10016	F1035-10016 F2515-10000	F1805-10045	F1035-10045 F2515-10000	F1805-12020	F1035-12020 F2515-12000

TABLE OF BOLT,W/WASHER

BOLT,W/WASHER	BOLT/WASHER	BOLT,W/WASHER	BOLT/WASHER	BOLT,W/WASHER	BOLT/WASHER
F1805-12025	F1035-12025 F2515-12000	F1805-12065	F1035-12065 F2515-12000	F1825-06010	F1035-06010 F2515-06000 F2500-06000
F1805-12030	F1035-12030 F2515-12000	F1805-12085	F1035-12085 F2515-12000	F1825-06012	F1035-06012 F2515-06000 F2500-06000
F1805-12035	F1035-12035 F2515-12000	F1805-14035	F1035-14035 F2515-14000	F1825-06014	F1035-06014 F2515-06000 F2500-06000
F1805-12040	F1035-12040 F2515-12000	F1805-14045	F1035-14045 F2515-14000	F1825-06016	F1035-06016 F2515-06000 F2500-06000
F1805-12045	F1035-12045 F2515-12000			F1825-06020	F1035-06020 F2515-06000 F2500-06000
F1805-12050	F1035-12050 F2515-12000			F1825-06025	F1035-06025 F2515-06000 F2500-06000
F1805-12055	F1035-12055 F2515-12000				
F1805-12060	F1035-12060 F2515-12000				

TABLE OF BOLT,W/WASHER

BOLT,W/WASHER	BOLT/WASHER	BOLT,W/WASHER	BOLT/WASHER	BOLT,W/WASHER	BOLT/WASHER
F1825-06030	F1035-06030 F2515-06000 F2500-06000	F1825-08025	F1035-08025 F2515-08000 F2500-08000	F1825-08050	F1035-08050 F2515-08000 F2500-08000
F1825-06035	F1035-06035 F2515-06000 F2500-06000	F1825-08030	F1035-08030 F2515-08000 F2500-08000	F1825-08055	F1035-08055 F2515-08000 F2500-08000
F1825-06055	F1035-06055 F2515-06000 F2500-06000	F1825-08035	F1035-08035 F2515-08000 F2500-08000	F1825-08085	F1035-08085 F2515-08000 F2500-08000
F1825-08012	F1035-08012 F2515-08000 F2500-08000	F1825-08038	F1035-08038 F2515-08000 F2500-08000	F1825-10014	F1035-10014 F2515-10000 F2500-10000
F1825-08016	F1035-08016 F2515-08000 F2500-08000	F1825-08040	F1035-08040 F2515-08000 F2500-08000	F1825-10016	F1035-10016 F2515-10000 F2500-10000
F1825-08020	F1035-08020 F2515-08000 F2500-08000	F1825-08045	F1035-08045 F2515-08000 F2500-08000	F1825-10020	F1035-10020 F2515-10000 F2500-10000

TABLE OF BOLT,W/WASHER

BOLT,W/WASHER	BOLT/WASHER	BOLT,W/WASHER	BOLT/WASHER	BOLT,W/WASHER	BOLT/WASHER
F1825-10025	F1035-10025 F2515-10000 F2500-10000	F1825-12025	F1035-12025 F2515-12000 F2500-12000	F2005-10016	F1155-10016 F2515-10000
F1825-10030	F1035-10030 F2515-10000 F2500-10000	F1825-12030	F1035-12030 F2515-12000 F2500-12000	F2005-10020	F1155-10020 F2515-10000
F1825-10035	F1035-10035 F2515-10000 F2500-10000	F1825-12040	F1035-12040 F2515-12000 F2500-12000	F2005-10025	F1155-10025 F2515-10000
F1825-10040	F1035-10040 F2515-10000 F2500-10000			F2005-10030	F1155-10030 F2515-10000
F1825-10080	F1035-10080 F2515-10000 F2500-10000			F2005-10035	F1155-10035 F2515-10000
F1825-12020	F1035-12020 F2515-12000 F2500-12000			F2005-10040	F1155-10040 F2515-10000
				F2005-10045	F1155-10045 F2515-10000
				F2005-10050	F1155-10050 F2515-10000

TABLE OF BOLT,W/WASHER

BOLT,W/WASHER	BOLT/WASHER	BOLT,W/WASHER	BOLT/WASHER	BOLT,W/WASHER	BOLT/WASHER
F2005-10055	F1155-10055 F2515-10000	F2005-12040	F1155-12040 F2515-12000	F2015-10020	F1155-10020 F2515-10000 F2500-10000
F2005-10060	F1155-10060 F2515-10000	F2005-12045	F1155-12045 F2515-12000	F2015-10025	F1155-10025 F2515-10000 F2500-10000
F2005-10065	F1155-10065 F2515-10000	F2005-12050	F1155-12050 F2515-12000	F2015-10030	F1155-10030 F2515-10000 F2500-10000
F2005-10070	F1155-10070 F2515-10000	F2005-12055	F1155-12055 F2515-12000	F2015-10035	F1155-10035 F2515-10000 F2500-10000
F2005-12020	F1155-12020 F2515-12000	F2005-12065	F1155-12065 F2515-12000	F2015-10040	F1155-10040 F2515-10000 F2500-10000
F2005-12025	F1155-12025 F2515-12000			F2015-10050	F1155-10050 F2515-10000 F2500-10000
F2005-12030	F1155-12030 F2515-12000				
F2005-12035	F1155-12035 F2515-12000				

TABLE OF BOLT,W/WASHER

BOLT,W/WASHER	BOLT/WASHER	BOLT,W/WASHER	BOLT/WASHER	BOLT,W/WASHER	BOLT/WASHER
F2015-10055	F1155-10055 F2515-10000 F2500-10000				
F2015-10060	F1155-10060 F2515-10000 F2500-10000				
F2015-12025	F1155-12025 F2515-12000 F2500-12000				
F2015-12030	F1155-12030 F2515-12000 F2500-12000				

TABLE OF COMBINATION FOR REPLACEABILITY -"G"-

GRP.NO.	REF. NO.	OLD PART NO.	SUBSTITUTE PARTS				
			SUBS.PART NO.	PART NAME	QTY	GRP.NO.& REF.NO.	
12	1	32C12-10100	32C12-20100	HOUSING, FLYWHEEL	1	12	1
			MF241256	BOLT	4	12	9
65-01-01	11	32C36-00100	32C36-10100	PIPE, OIL	1	65-01-01	11
			F4440-06300	CONNECTOR	1	65-01-01	10

